

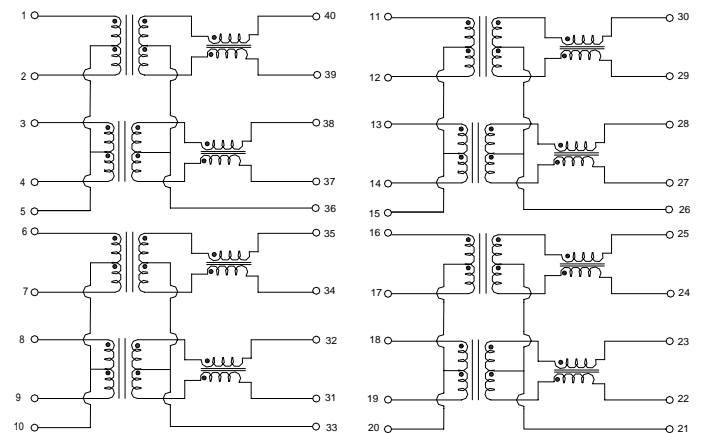
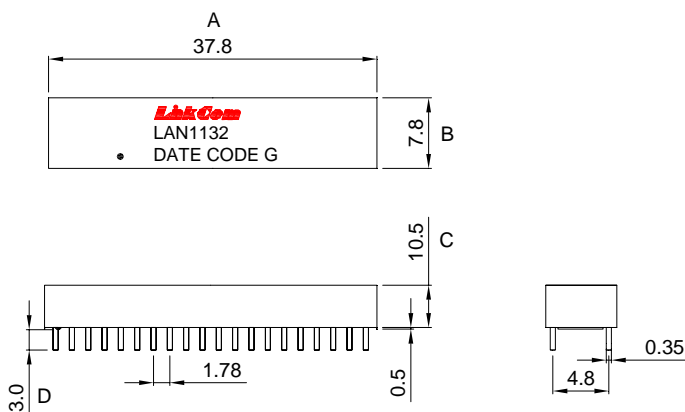
10/100BASE-Tx Magnetics Module

- Meets IEEE 802.3 standard
- RoHS Compliant
- Quad ports configuration
- Design for 100base-Tx transmission over UTP-5 cable
- Operating Temperature: 0 ~70

Electrical Specification @25			
OCL:	350uH Min. @100KHz/0.1V with 8mA DC Bias		
Hi-POT :	1500Vrms.		
Turn Ratio:	1CT:1CT±3%		
D.C.R:	0.9ohm Max.		
Insertion Loss:	1-100MHz -1.2dB Max.		
Return Loss:	30MHz	50MHz	80MHz
	-15dB Min.	-13dB Min.	-11dB Min.
D.C.M.R :	1-30MHz	30-60MHz	60-125MHz
	-30dB Min.	-25dB Min.	-20dB Min.
Cross Talk :	0.3-30MHz	30-60MHz	60-100MHz
	-40dB Min.	-35dB Min.	-30dB Min.

Dimensions

Schematic



Units: mm

Unless otherwise specified, all tolerances are ±0.25