

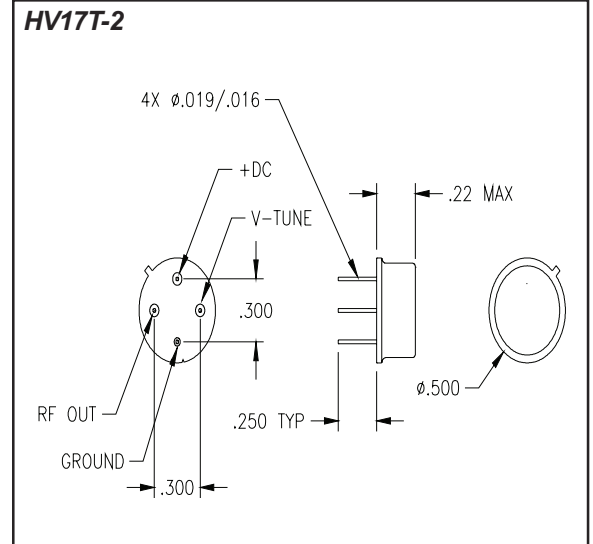
# VOLTAGE CONTROLLED OSCILLATOR

**HV17T-2  
HV17SM-22**

Available as: HV17T, 4 Pin TO-8 (T4)

## Electrical Specifications:<sup>(2)</sup>

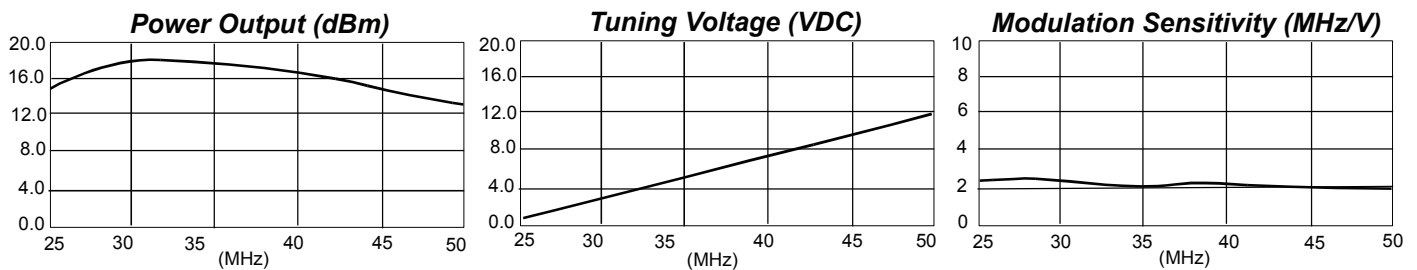
Parameter	Specifications
Frequency Range	25 to 50 MHz
Power Output at 25 °C (50 Ohm load)	+10 dBm, min.
Power Output Variation vs. Temperature	±2.0 dB, typical
Frequency Drift vs. Temperature <sup>(2)</sup>	1.5 MHz, typical
Frequency Pulling (12 dB Return Loss)	0.3 MHz, typical
Frequency Pushing	0.3 MHz/V, typical
Tuning Voltage Limits	0 to +15 VDC
SSB Phase Noise (50 kHz offset)	-121 dBc/ Hz typical
Harmonics <sup>(3)</sup>	-15 dBc, typical
Spurious	-70 dBc, typical
Bias Voltage <sup>(3)</sup>	+15 VDC ±1%
Bias Current	30 mA, typical
Operating Temperature	-55 to +100°C



### Notes:

1. Specifications guaranteed over the operating temperature range. Those specifications indicated as typical are not guaranteed. Plots exemplify typical performance at 25 °C
2. Total frequency drift over the full temperature range.
3. Worst case harmonics over the frequency range.
4. Alternate bias voltages available.
5. Military screening available.

## Typical Performance Data at 25°C



Spectrum Microwave · 2144 Franklin Drive N.E. · Palm Bay, FL 32905 · PH (888) 553-7531 · Fax (888) 553-7532 03/02/05

www.SpectrumMicrowave.com Spectrum Microwave (Europe) · 2707 Black Lake Place · Philadelphia, PA 19154 · PH (215) 464-4000 · Fax (215) 464-4001