

CTMCA9520 Series

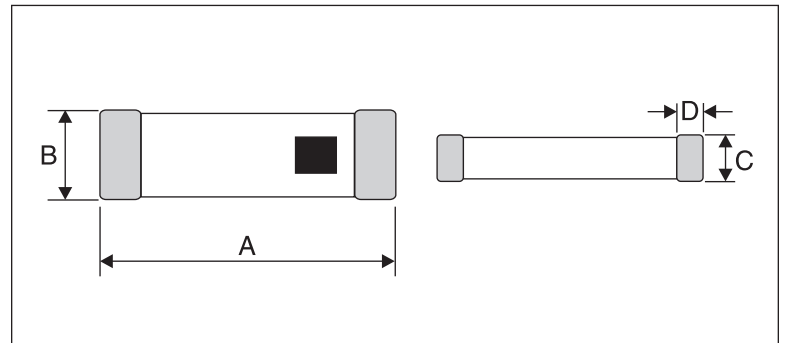
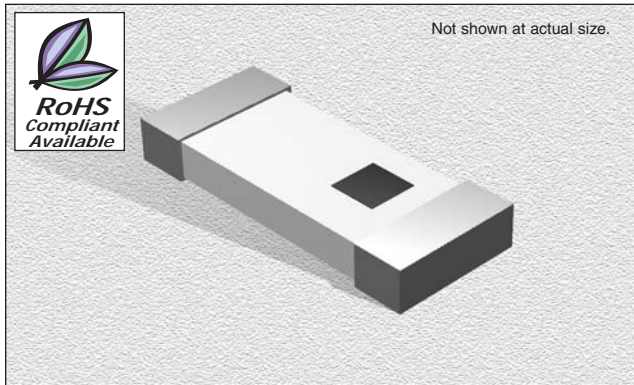
SPECIFICATIONS

CTMCA9520E Please specify "F" for RoHS Compliant

Part Number	Frequency Range (MHz)	Peak Gain (XZ-V)	Average Gain (XZ-V)	VSWR	Impedance (Ω)
CTMCA9520_-2R4	2400~2500	3.0 dBi typ.	1.0 dBi typ.	2 max.	50

PHYSICAL DIMENSIONS

Size	A	B	C	D
mm	9.5±0.2	2.0±0.2	1.2+0.1/-0.2	0.5±0.3
inches	0.374±0.008	0.079±0.008	0.047+0.004/-0.008	0.020±0.012



CHARACTERISTICS

Description: Multi-layer Chip Antenna

Features: Monolithic SMD with small, low profile and light weight type. Wide bandwidth

Applications: 2.4GHz WLAN, Home RF, Bluetooth Modules, etc.

Operating Temperature: -40°C to +85°C

Storage Temperature: -40°C to +85°C

Power Capacity: 3W Max.

Packaging: Tape & Reel

Miscellaneous: RoHS Compliant available.

Additional Information: Additional electrical & physical information available upon request

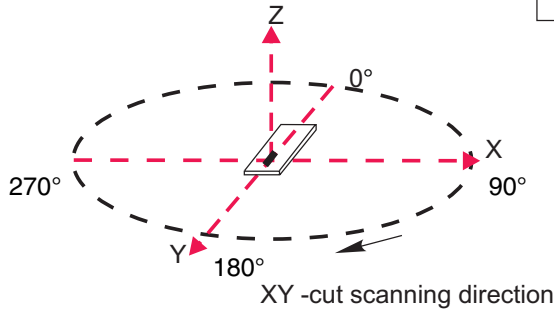
Samples available. See website for ordering information.

04.25.06

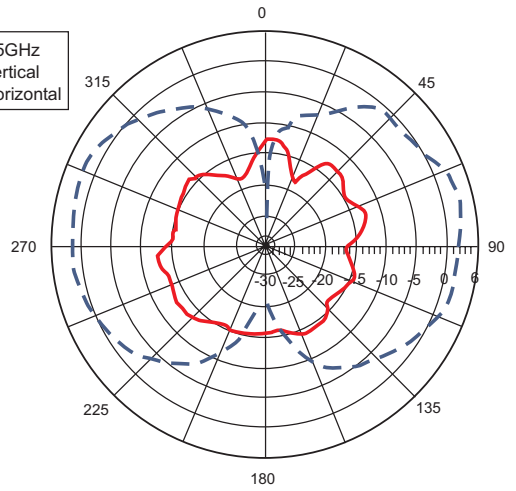
CTMCA9520 Series

* Radiation Patterns

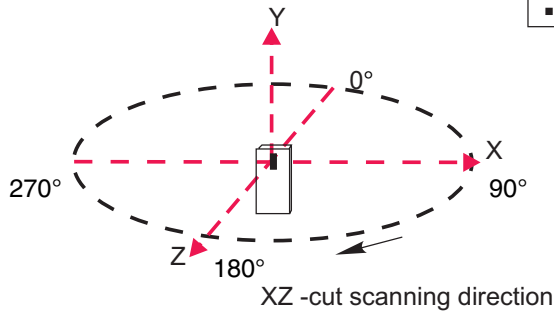
XY-V/XY-H



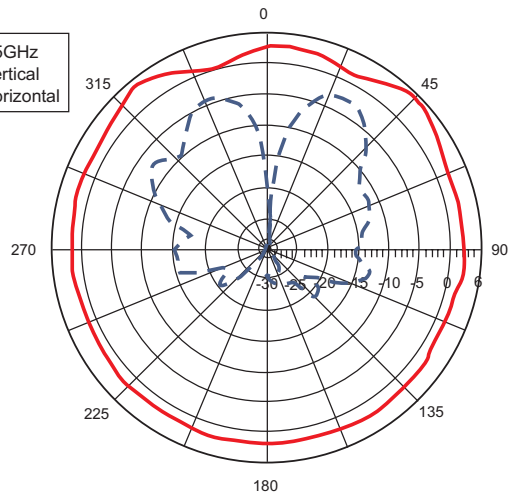
XY cut @2.45GHz
 — Vertical
 - - - Horizontal



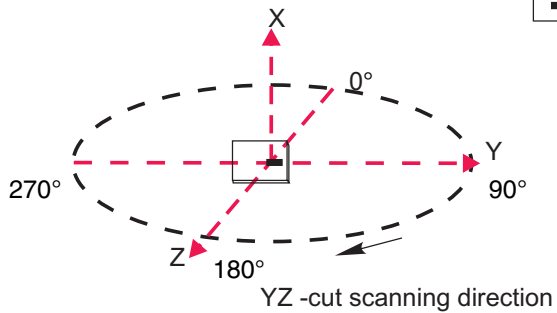
XZ-V/XZ-H



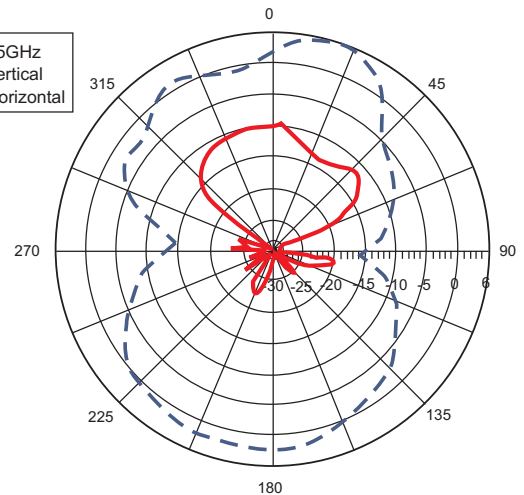
XZ cut @2.45GHz
 — Vertical
 - - - Horizontal



YZ-V/YZ-H



YZ cut @2.45GHz
 — Vertical
 - - - Horizontal

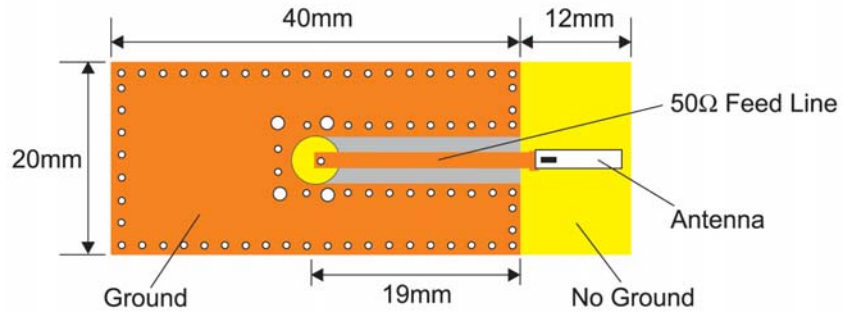


04.25.06

CTMCA9520 Series

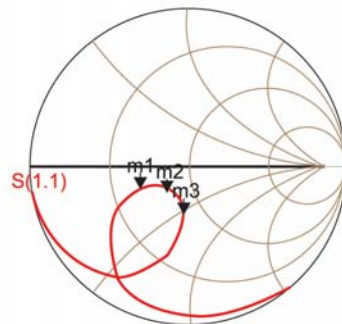
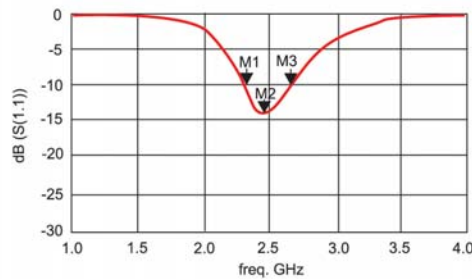
Typical Electrical Characteristics (T=25°C)

* Test Board



* Return Loss

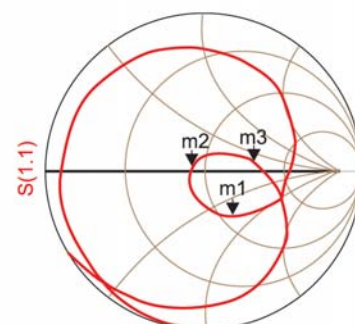
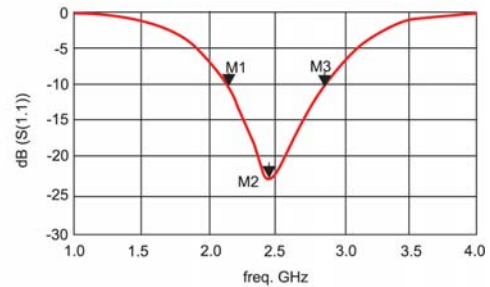
(a) Without Matching Circuits



freq (1.000GHz to 4.000GHz)

M1: freq=2300 MHz / dB= -9.794
 M2: freq=2450 MHz / dB= -13.95
 M3: freq=2638 MHz / dB= -9.775

(b) Without Matching Circuits



freq (1.000GHz to 4.000GHz)

M1: freq=2150 MHz / dB= -10.092
 M2: freq=2450 MHz / dB= -22.688
 M3: freq=2837 MHz / dB= -9.940

04.25.06