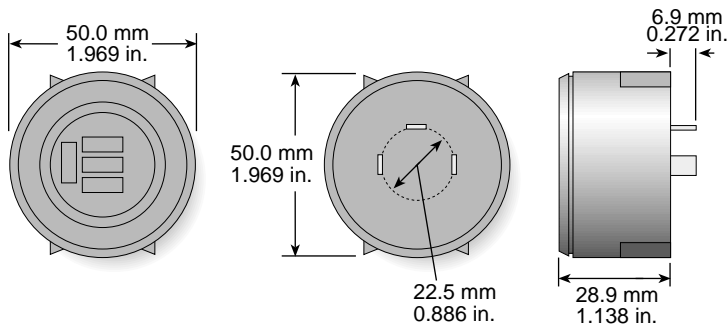


Piezo Audio Indicators

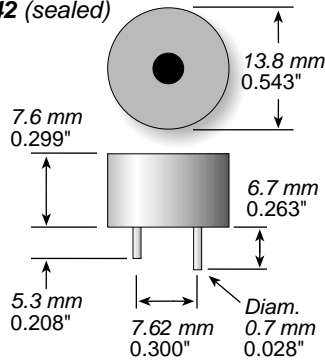
PC Board Mounting Type

This product has been
DISCONTINUED

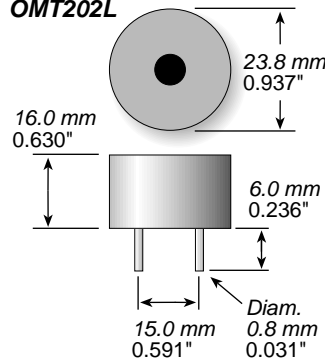
OMT500



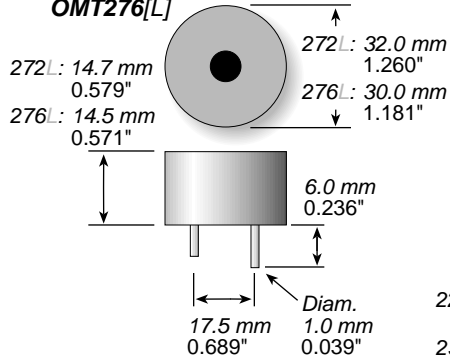
OMT240 (unsealed)
OMT242 (sealed)



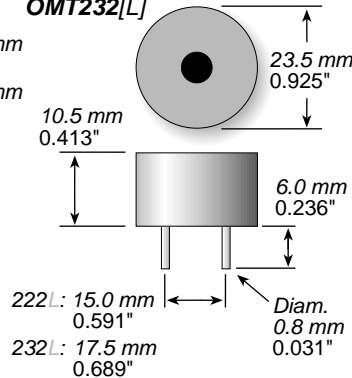
OMT202
OMT202L



OMT272[L]
OMT276[L]



OMT222[L]
OMT232[L]



FEATURES

OMT500

- Very high sound output
- Wave solderable and washable

OMT240, 242, 202, 202L

- Small size and lightweight
- Rich sound output and low current drain
- OMT242 is wave solderable and washable

OMT22-, OMT23-, OMT27-Series

- Small size and lightweight
- High sound output and low current drain

All

- Operating temperature -20°C~60°C; Storage temperature -30°C~70°C

Model No.	Oscillating frequency (Hz ±500)	Operating voltage	Sound pressure @30cm/12vdc (dB min.)	Current consumption* (mA max.)	Tone	Pins	Weight (g)
✓ OMT202	3000	3-20 DC	77	14	Continuous	2	5.0
⊕ OMT202L	2900	3-20 DC	90	8	Continuous	2	6.0
⊕ OMT222	3200	3-20 DC	75	12	Continuous	2	6.0
⊕ OMT222L	3200	3-20 DC	82	10	Continuous	2	6.0
✓ OMT232	3200	3-20 DC	75	12	Continuous	2	6.0
✓ OMT232L	3200	3-20 DC	82	9	Continuous	2	6.0
⊕ OMT242	4100	3-16 DC	70	7	Continuous	2	1.0
✓ OMT272	3500	3-28 DC	82	4	Continuous	2	7.0
✓ OMT272L	3500	3-20 DC	93	10	Continuous	2	7.0
✓ OMT276	2700	3-28 DC	71	5	Continuous	2	7.0
✓ OMT276L	2700	3-20 DC	98	8	Continuous	2	7.0
✓ OMT500	2500	5-13 DC	104 [†]	70	Continuous	3	40.0

*at 12 VDC [†]at 60cm

⊕ = Most popular stock values

✓ = Stock values

⊕ = Non-stock values subject to minimum handling charge per item