

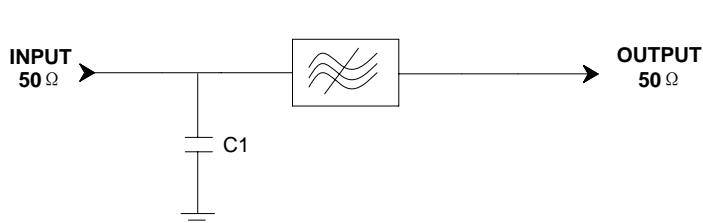
Specifications

| Parameter | Unit | Minimum | Typical | Maximum |
|--|---|---------|---------|---------|
| Center Frequency | MHz | 65.9 | 66 | 66.1 |
| Insertion Loss | dB | - | 24.8 | 26 |
| 1 dB Bandwidth | MHz | 7 | 7.13 | - |
| 3 dB Bandwidth | MHz | - | 7.49 | - |
| 40 dB Bandwidth | MHz | - | 8.8 | - |
| 50 dB Bandwidth | MHz | - | 8.94 | 9 |
| Passband Variation($f_0 \pm 3.5\text{MHz}$) | dB | - | 0.6 | 0.8 |
| Absolute Delay | usec | - | 2.36 | - |
| Phase Linearity($f_0 \pm 3.5\text{MHz}$) | deg | - | 4 | 6 |
| Group Delay Variation($f_0 \pm 3.5\text{MHz}$) | nsec | - | 70 | 120 |
| Ultimate Rejection | dB | 54 | 60 | - |
| Material Temperature coefficient | KHz/°C | -5.412 | | |
| Ambient Temperature | °C | 25 | | |
| Package Size | DIP2712 (27.0x12.8x4.7mm ³) | | | |

Notes:


1. All specifications are based on the test circuit shown
2. In production, devices will be tested at room temperature to a guardbanded specification to ensure electrical compliance over temperature
3. Electrical margin has been built into the design to account for the variations due to temperature drift and manufacturing tolerances
4. This is the optimum impedance in order to achieve the performance show
5. Measurement of Group Delay without smoothing.

Matching Configuration

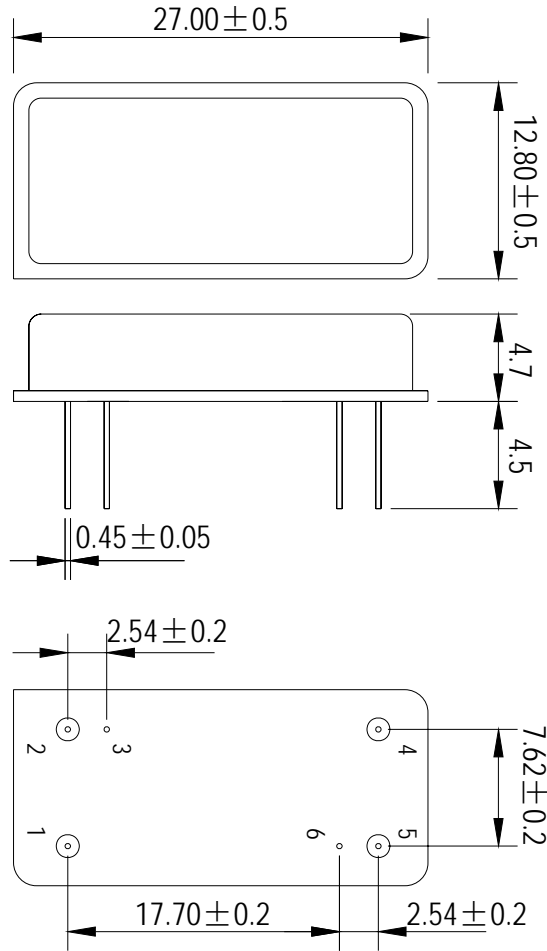


C1 = 39pF
Source/Load Impedance = 50 ohm

Notes - Component values may change depending on board layout.

| | | | | |
|--|---|-------------|-----------|------|
|  | SIPAT Co., Ltd. (CETC No. 26 Research Institute) Nanping Huayuan Road No. 14 Chongqing, China, 400060 | Part Number | LBN06604 | |
| | | Rev. Date | 2007-1-23 | |
| | | Rev. | 1.0 | Page |

Package Dimension



| | |
|--------|---------|
| Input | 1 |
| Output | 4 |
| Ground | 2,3,5,6 |

Package: DIP2712

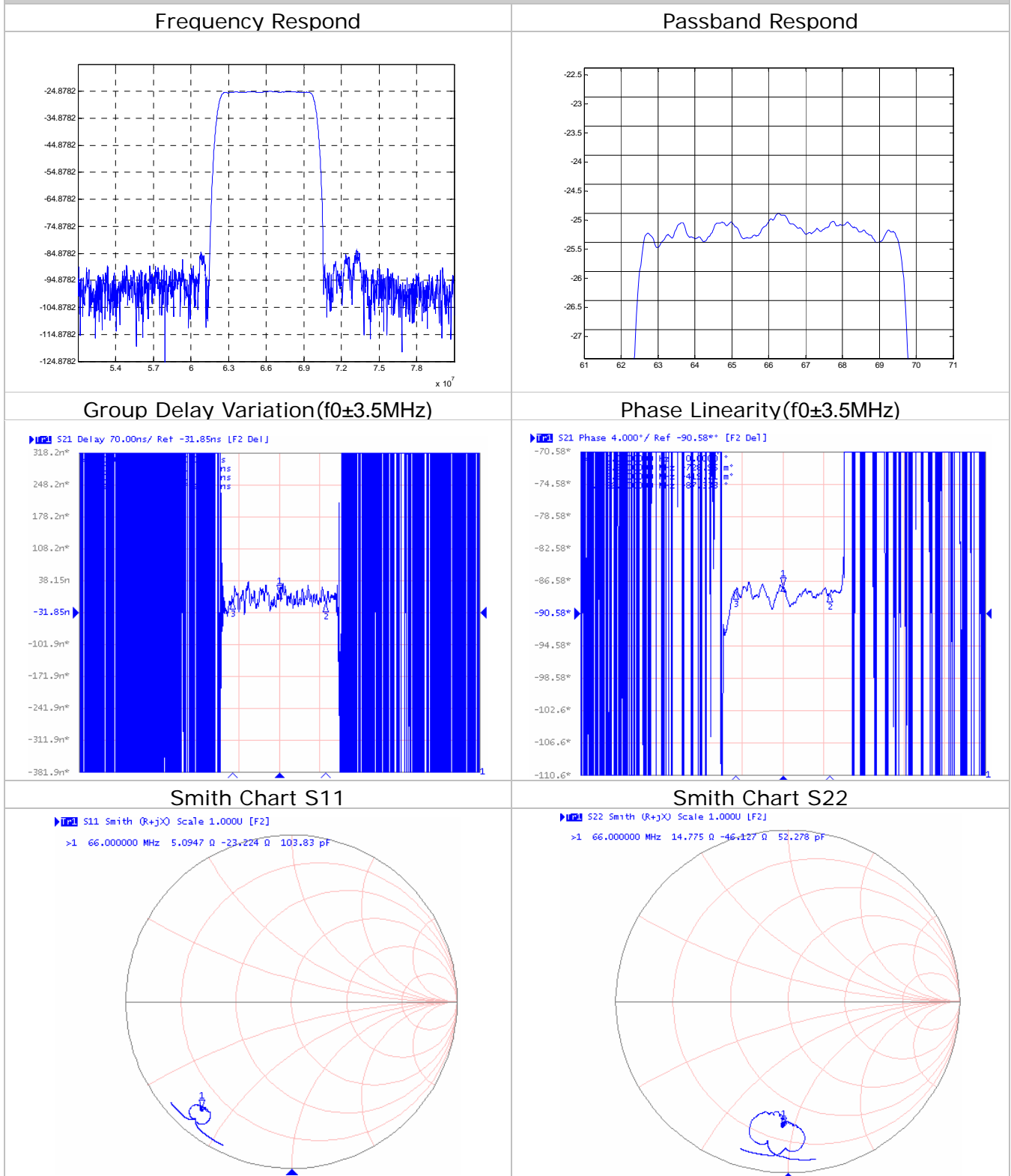
Unit: mm



SIPAT Co., Ltd.
(CETC No. 26 Research Institute)
Nanping Huayuan Road No. 14
Chongqing, China, 400060

| | | |
|-------------|-----------|----------|
| Part Number | LBN06604 | |
| Rev. Date | 2007-1-23 | |
| Rev. | 1.0 | Page 2/3 |

Typical Performance



SIPAT Co., Ltd.
(CETC No. 26 Research Institute)
Nanping Huayuan Road No. 14
Chongqing, China, 400060

| | | |
|-------------|-----------|----------|
| Part Number | LBN06604 | |
| Rev. Date | 2007-1-23 | |
| Rev. | 1.0 | Page 3/3 |