

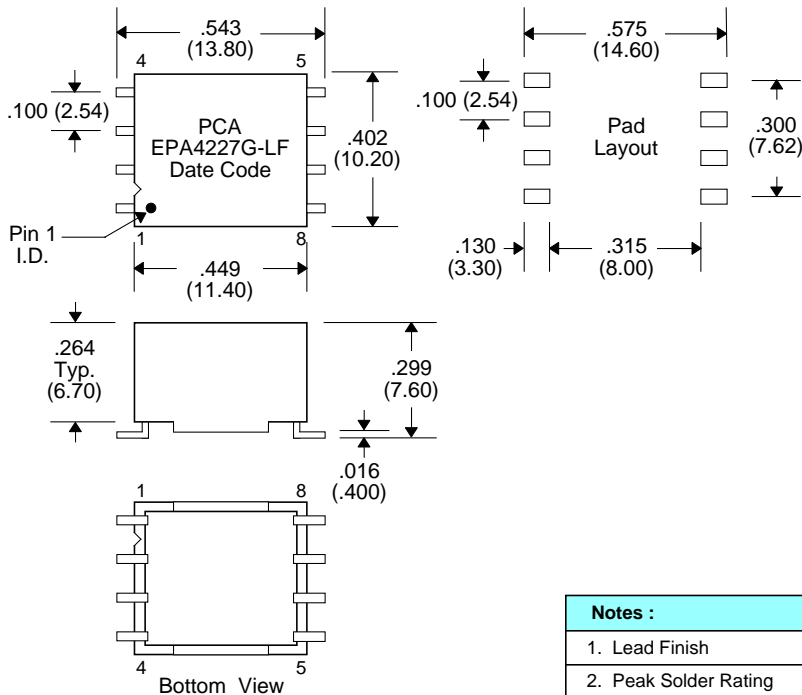
EPA4227G-LF

- Optimized for Leading Transceiver I.C.'s
- Designed to meet CCITT 1.430 4 Wire So Interface
- Operating Temperature : -40°C to +85°C
- Storage Temperature : -40°C to +130°C
- Lead Free

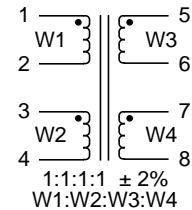
Electrical Parameters @ 25° C

Inductance (mH Min.)	Interwinding Capacitance (pF Max.)	Leakage Inductance (µH Max.)	Hipot (Vrms)		Impedance (Min.) @ IDC, 4 mA	DCR (Max.)
@ 10 KHz, 0.1 Vrms	@ 10 KHz, 0.1 Vrms	@ 100 KHz, 0.1 Vrms			@ 20 KHz, 0.1 Vrms	
30	110	3.5	1500	500	625	0.60
W3 & W4	W3 & W4 to W1 & W2	W3 & W4 with W1 & W2 shorted	W3 & W4 to W1 & W2	Wdg to Wdg	W3 & W4	W1,W2,W3,W4

Package



Schematic



Notes :	EPA4227G-LF
1. Lead Finish	Hot Dip Sn or (SnCu)
2. Peak Solder Rating	250°
3. Moisture Sensitive Levels	1 (Unlimited 30°C/60% RH)
3. Weight	TBD grams
4. Packaging Information	Tray : TBD pieces/tray Tape & Reel : TBD pieces/13" reel

Unless Otherwise Specified Dimensions are in Inches /mm ± .010 /.25