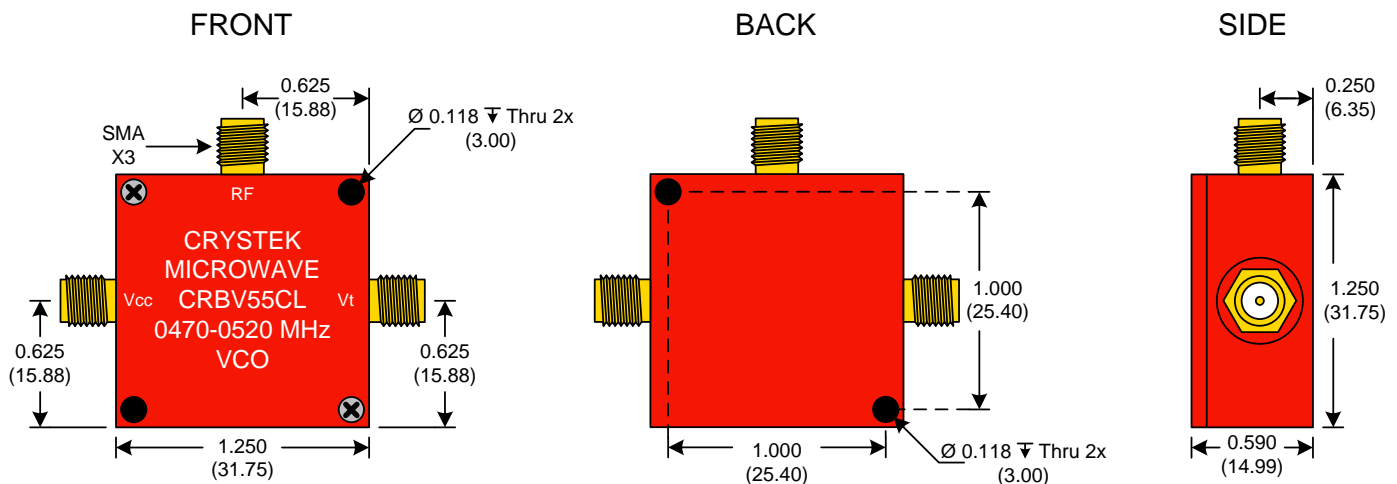




PERFORMANCE SPECIFICATION	MIN	TYP	MAX	UNITS
Lower Frequency:			470	MHz
Upper Frequency:	520			MHz
Tuning Voltage:	0.5		4.5	VDC
Supply Voltage:	1.9	2.0	2.1	VDC
Output Power:	-1.0	+1.0	+3.0	dBm
Supply Current:			10	mA
Harmonic Suppression (2 nd Harmonic)		-7		dBc
Pushing:			7.0	MHz/V
Pulling, all Phases:			1.0	MHz pk-pk
Tuning Sensitivity:		24		MHz/V
Phase Noise @ 10kHz offset:		-109		dBc/Hz
Phase Noise @ 100kHz offset:		-130		dBc/Hz
Load Impedance:		50		Ω
Input Capacitance:			150	pF
Operating Temperature Range:	-30		+80	$^{\circ}\text{C}$
Storage Temperature Range:	-45		+90	$^{\circ}\text{C}$



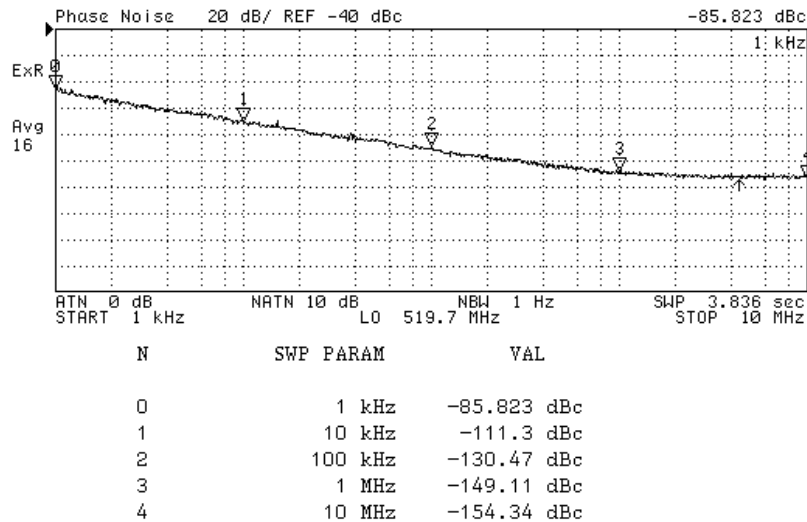
● Unless otherwise specified, Dimensions are in: $\frac{\text{IN}}{\text{(mm)}}$

Product Control:

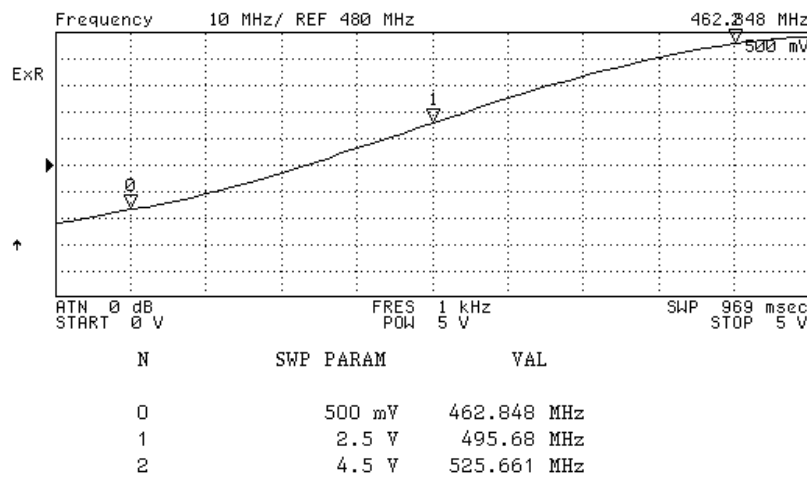
Crystek Part Number:	CRBV55CL-0470-0520	Release Date:	08-Jan-08
Revision Level:	A	Responsible:	C. Vales



Phase Noise (1 Hz BW, Typical)



Tuning Curve (Typical)



Product Control:

Crystek Part Number:	CRBV55CL-0470-0520	Release Date:	08-Jan-08
Revision Level:	A	Responsible:	C. Vales

Specification is subject to change without notice

