

Features

- 28.5 dB Typical Gain
- 2.7 dB Typical Low Noise

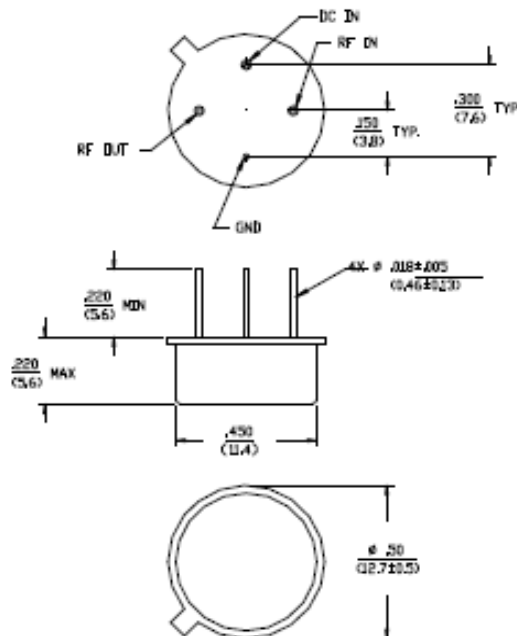
Description

M/A-COM's AM-182 is a high gain feedback amplifier with high intercept and compression points. This amplifier is packaged in a TO-8 package. Due to the internal power dissipation the thermal rise should be minimized. The ground plane on the PC board should be configured to remove heat from under the package. AM-182 is ideally suited for use where a high intercept, high reliability amplifier is required.

Ordering Information

Part Number	Package
AM-182 PIN	TO-8-1
AMC-182 SMA	Connectorized

TO-8-1



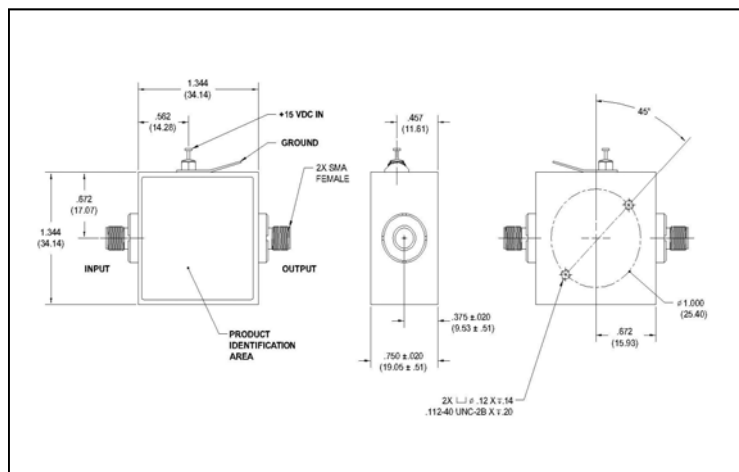
Dimensions in \square are in mm
Unless Otherwise Noted, .XXX = ± 0.010 .XX = ± 0.25
.XX = ± 0.02 (X = ± 0.5)
WEIGHT (APPROX) (G) DIMENCES 2.8 GRAMS

Absolute Maximum Ratings ¹

Parameter	Absolute Maximum
Max. Input Power	+13 dBm
Vbias	+15.75 V
Operating Temperature	-55°C to +85°C
Storage Temperature	-65°C to +125°C

1. Operation of this device above any one of these parameters may cause permanent damage.

Outline Drawing: SMA Connectorized *



* Dimensions are inches (millimeters) ± 0.015 (0.38) unless otherwise specified.

Electrical Specifications: ^{2,3} T_A = -55°C to +85°C Case Temperature

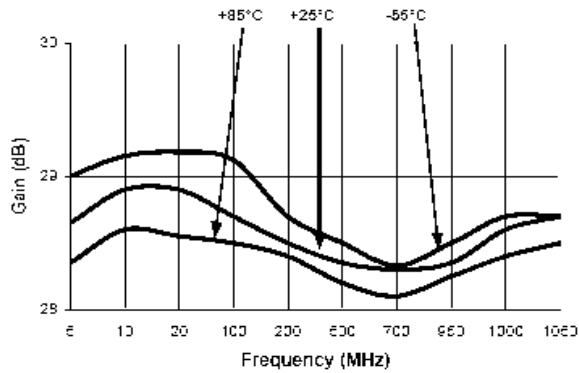
Parameter	Test Conditions	Frequency	Units	Min.	Typ.	Max.
Gain	@+25°C	300 MHz	dB	27.2	28.2	29.2
Frequency Response	—	5 - 1000 MHz	dB	—	—	±1.2
Gain Variation with Temperature	—	5 - 1000 MHz	dB	—	—	±1.2
1 dB Compression	Output Power	5 - 1000 MHz	dBm	+9	—	—
Noise Figure	—	5 - 1000 MHz	dB	—	—	4.5
Reverse Transmission	—	5 - 1000 MHz	dB	—	-36	-32
VSWR	—	5 - 1000 MHz	Ratio	—	—	2.0:1
Output IP ₂	Two-Tone inputs up to 0 dBm	5 - 1000 MHz	dBm	+28	—	—
Output IP ₃	Two-Tone inputs up to 0 dBm	5 - 1000 MHz	dBm	+18	—	—
Vbias	—	—	VDC	+14.5	+15.0	+15.5
Ibias	Vbias = +15.0 VDC	—	mA	—	44	50
Power Dissipation	@ +15 V Bias	—	mW	—	660	—

2. All specifications apply when operated at +15 VDC, with 50 ohms source and load impedance.

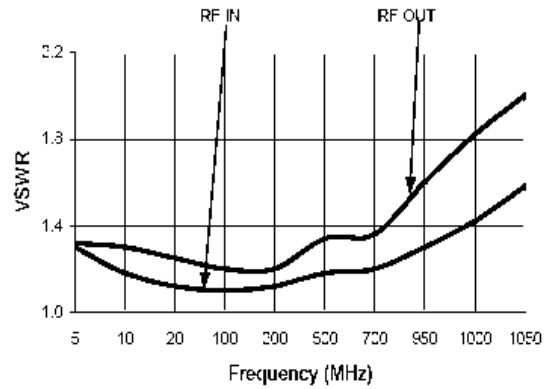
3. Heat Sinking: Operation at case temperature above 95°C is not recommended. Heat sinking adequate to dissipate 800 mW must be provided in use.

Typical Performance Curves

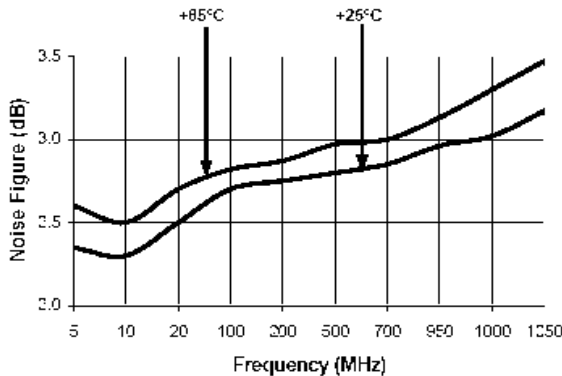
Gain vs. Frequency



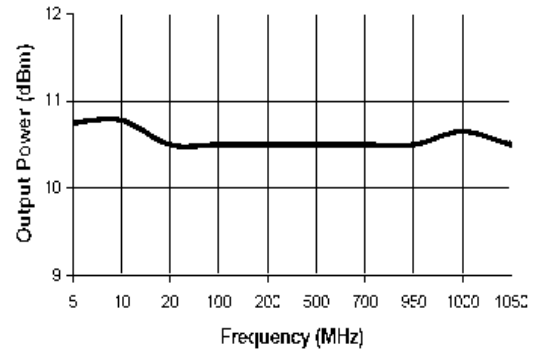
VSWR vs. Frequency



Noise Figure



1 dB Compression



Intermodulation Intercept

