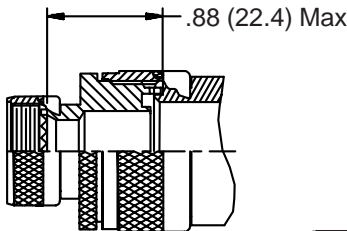
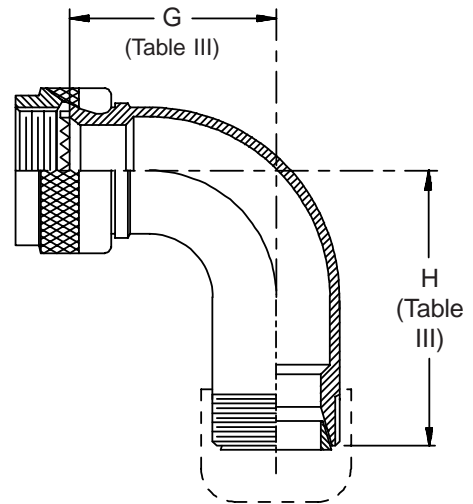
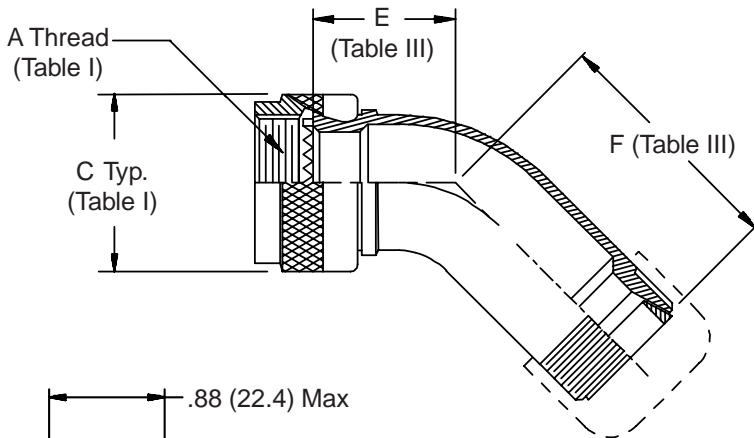
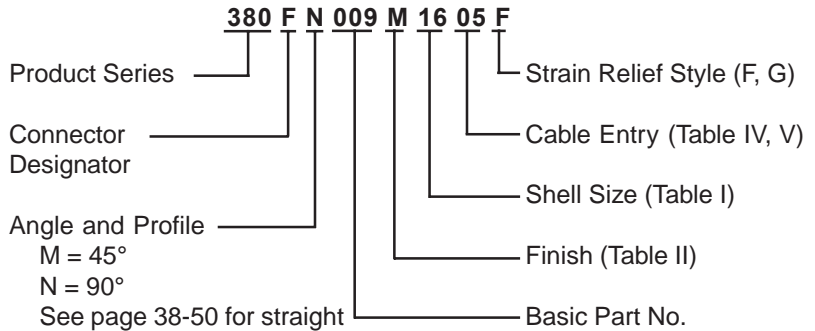


**CONNECTOR  
DESIGNATORS  
A-F-H-L-S  
ROTATABLE  
COUPLING**

**TYPE D INDIVIDUAL  
OR OVERALL  
SHIELD TERMINATION**

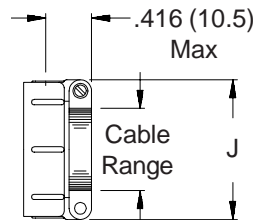


**STYLE 2**  
(See Note 1)

**-445** Now Available with the "NESTOR"

Glenair's Non-Detent, Spring-Loaded, Self-Locking Coupling.  
Add "-445" to Specify This AS85049 Style "N" Coupling Interface.

**STYLE F**  
Light Duty  
(Table IV)



**STYLE G**  
Light Duty  
(Table V)

