



SANYO Semiconductors

DATA SHEET

STK628-130-E

Thick-Film Hybrid IC
Inverter for IH Cooker
Inverter Hybrid IC

Overview

The STK628-130-E is a inverter power hybrid IC for IH cooker containing power devices (IGBT and FRD), pre-driver, and temperature monitor.

Applications

- Inverter for IH cooker.

Features

- Built in integrates power devices (IGBT and FRD), pre-driver circuit.
- Built in thermal protection.
- The temperature monitor is enabled through the use of an internal thermistor.
- A single power supply drive is enabled with using of internal bootstrap circuits for upper power supplies.
- Direct input of control signal is possible.
- SIP (the single in-line package).

■ Any and all SANYO Semiconductor Co.,Ltd. products described or contained herein are, with regard to "standard application", intended for the use as general electronics equipment (home appliances, AV equipment, communication device, office equipment, industrial equipment etc.). The products mentioned herein shall not be intended for use for any "special application" (medical equipment whose purpose is to sustain life, aerospace instrument, nuclear control device, burning appliances, transportation machine, traffic signal system, safety equipment etc.) that shall require extremely high level of reliability and can directly threaten human lives in case of failure or malfunction of the product or may cause harm to human bodies, nor shall they grant any guarantee thereof. If you should intend to use our products for applications outside the standard applications of our customer who is considering such use and/or outside the scope of our intended standard applications, please consult with us prior to the intended use. If there is no consultation or inquiry before the intended use, our customer shall be solely responsible for the use.

■ Specifications of any and all SANYO Semiconductor Co.,Ltd. products described or contained herein stipulate the performance, characteristics, and functions of the described products in the independent state, and are not guarantees of the performance, characteristics, and functions of the described products as mounted in the customer's products or equipment. To verify symptoms and states that cannot be evaluated in an independent device, the customer should always evaluate and test devices mounted in the customer's products or equipment.

STK628-130-E

Specifications

Absolute maximum ratings at $T_c = 25^\circ\text{C}$

Parameter	Symbol	Conditions	Ratings	Unit
Supply voltage	V_{CC}		400	V
Collector-emitter voltage	V_{CE}	+ - -	600	V
Output current	I_O	+, -, OUT terminal current	± 60	A
Output peak current	I_{op}	+, -, OUT terminal current $PW=100\mu\text{s}$, 1pulse	± 90	A
Pre-driver supply voltage	V_L	$V_L - V_{SS}$	0 to 18	V
	V_{DD}	$V_{DD} - V_{SS}$	0 to 18	V
Input signal voltage	V_{IN}	HIN, LIN, SD terminal	-0.3 to $V_{DD}+0.3$	V
Maximum loss	P_d	IGBT, Per 1 pcs	135	W
Junction-to-substrate thermal resistance	$\theta_j\text{-c(T)}$	IGBT, Per 1 pcs	0.9	$^\circ\text{C/W}$
	$\theta_j\text{-c(D)}$	DIODE, Per 1 pcs	1.9	
Junction temperature	T_j	IGBT, FRD junction temperature	150	$^\circ\text{C}$
Storage temperature	T_{stg}		-40 to +125	$^\circ\text{C}$
Operating temperature	TC	H-IC case temperature	-20 to +100	$^\circ\text{C}$
Tightening torque	MT	A screw part *1	1.0	$\text{N}\cdot\text{m}$

In the case without the instruction, the voltage standard is V_{SS} terminal voltage.

*1 Flatness of the heat-sink should be lower than 0.25mm.

Electrical Characteristics at $T_c=25^\circ\text{C}$, $V_L, V_{DD}=15\text{V}$

Parameters	Symbols	Conditions	min	typ	max	unit
Power output part						
Collector-to-emitter cut-off current	I_{CE}	$V_{CE}=600\text{V}$			150	μA
Collector-to-emitter saturation voltage	$V_{CE}(\text{sat})$	$I_O=60\text{A}$, Ch+, Ch-		1.8	2.5	V
Diode forward voltage	V_F	$I_O=-40\text{A}$, Ch+, Ch-		1.6	2.2	V
Control (Pre-driver) part						
Pre-drive power supply consumption electric current	I_D	$V_L, V_{DD}=15\text{V}$		0.7	2.0	mA
Input ON voltage	V_{IH}	Output ON	9.5			V
Input OFF voltage	V_{IL}	Output OFF			6.0	V
Excessive temperature	TSD	The substrate surface		110		$^\circ\text{C}$
Temperature mounting resistance	R_t	TH- V_{SS} value	90	100	110	$\text{k}\Omega$
Monitor resistor B-constant	B	25/50 $^\circ\text{C}$		4250		k
Switching time	ton	$I_O=50\text{A}$, Inductive load		0.7		μs
	toff			0.7		

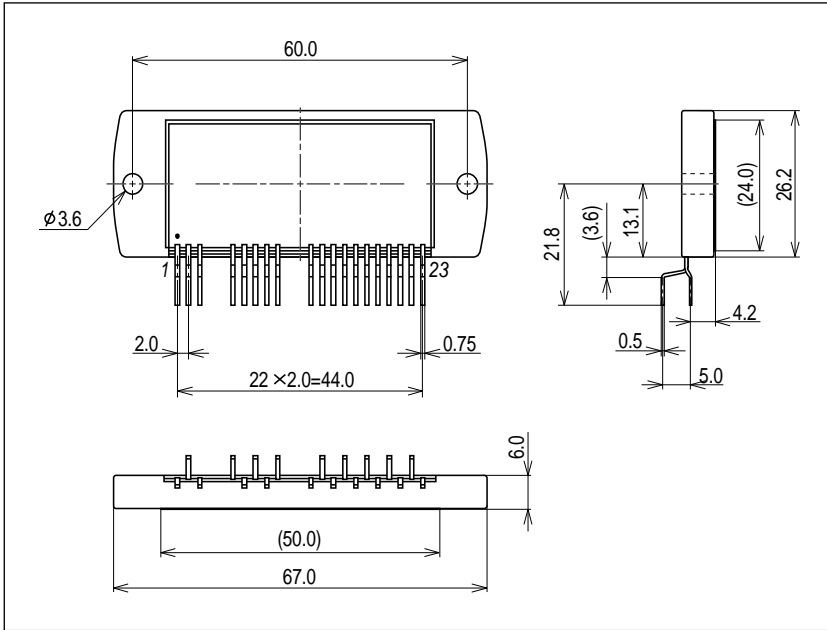
In the case without the instruction, the voltage standard is V_{SS} terminal voltage.

Notes

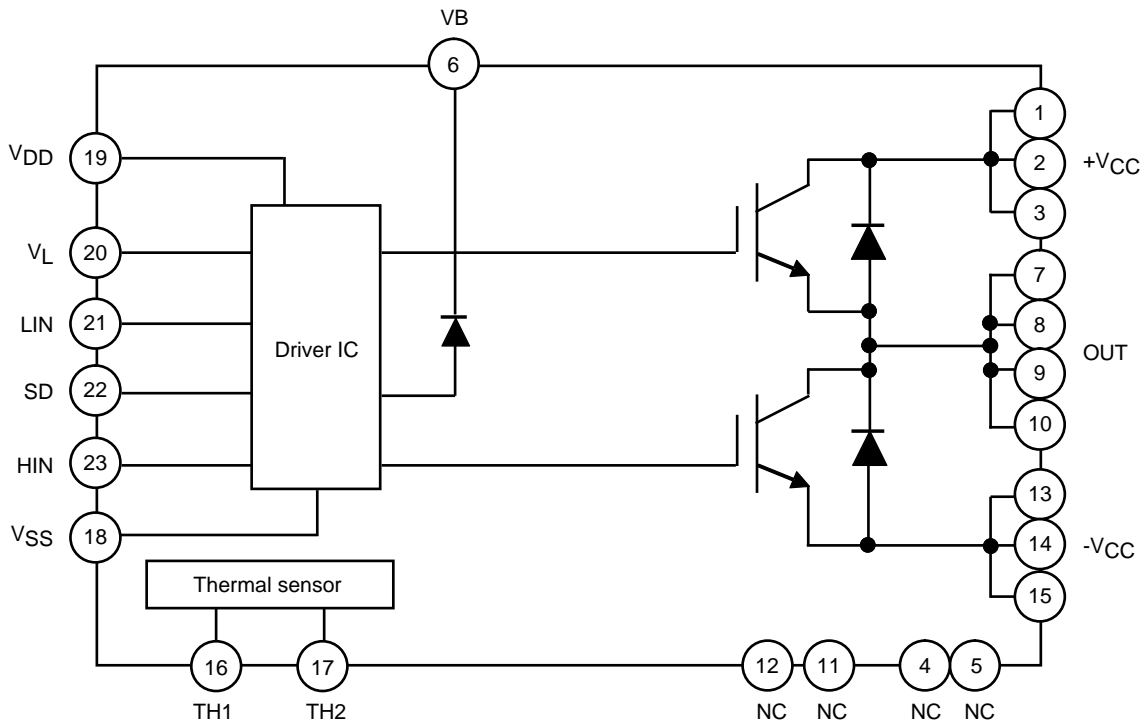
- Input ON voltage indicates a value to turn on output stage IGBT.
Input OFF voltage indicates a value to turn off output stage IGBT.
At the time of output ON, set the input signal voltage V_{IH} (min.) to V_{DD} (max.).
At the time of output OFF, set the input signal voltage 0V to V_{IL} (Max.).
- When assembling the hybrid IC on the heat sink, tightening torque range is 0.8N•m to 1.0N•m.
Flatness of the heat-sink should be lower than 0.25mm.

Package Dimensions

unit:mm (typ)



Internal Block Diagram



Test Circuit

+shows the upper side and - shows the lower side.

Fig.1 ICEO (IGBT/FRD)

ICEO (IGBT/FRD)

	CH+	CH-
M	1	9
N	7	14

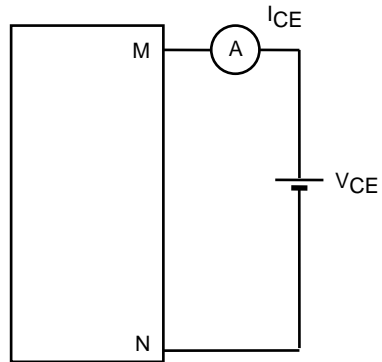


Fig.2 $V_{CE(sat)}$ (Test by the pulse)

	CH+	CH-
M	1, 2, 3	7, 8, 9, 10
N	7, 8, 9, 10	13, 14, 15
m	23	21

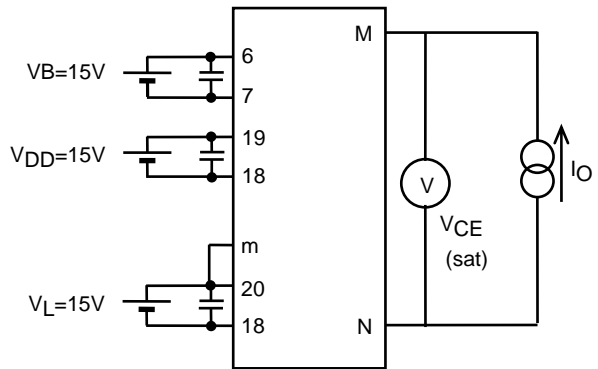
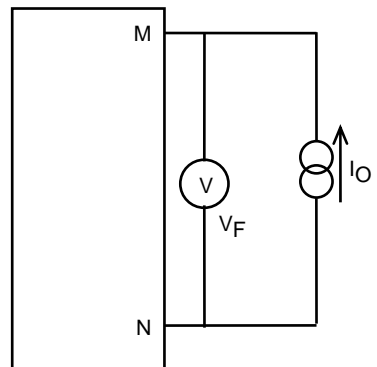


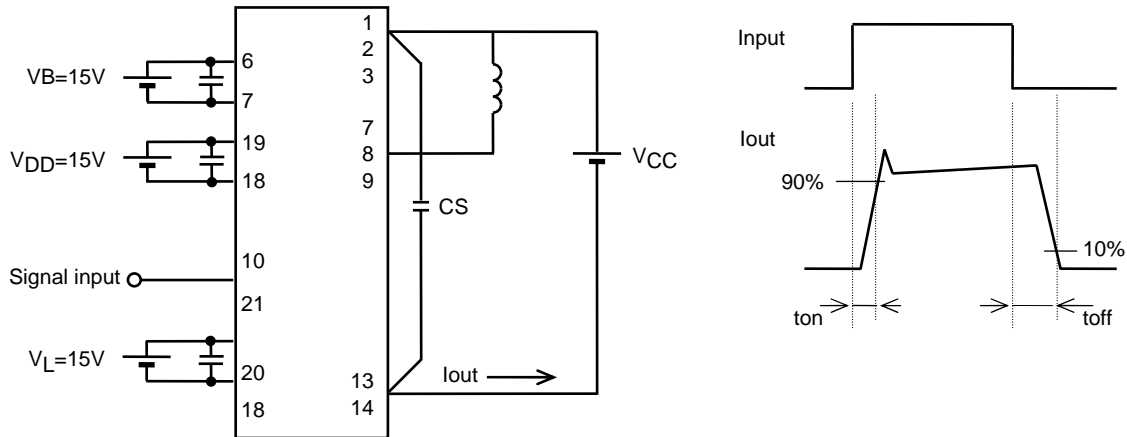
Fig.3 V_F (Test by the pulse)

	CH+	CH-
M	1, 2, 3	7, 8, 9, 10
N	7, 8, 9, 10	13, 14, 15

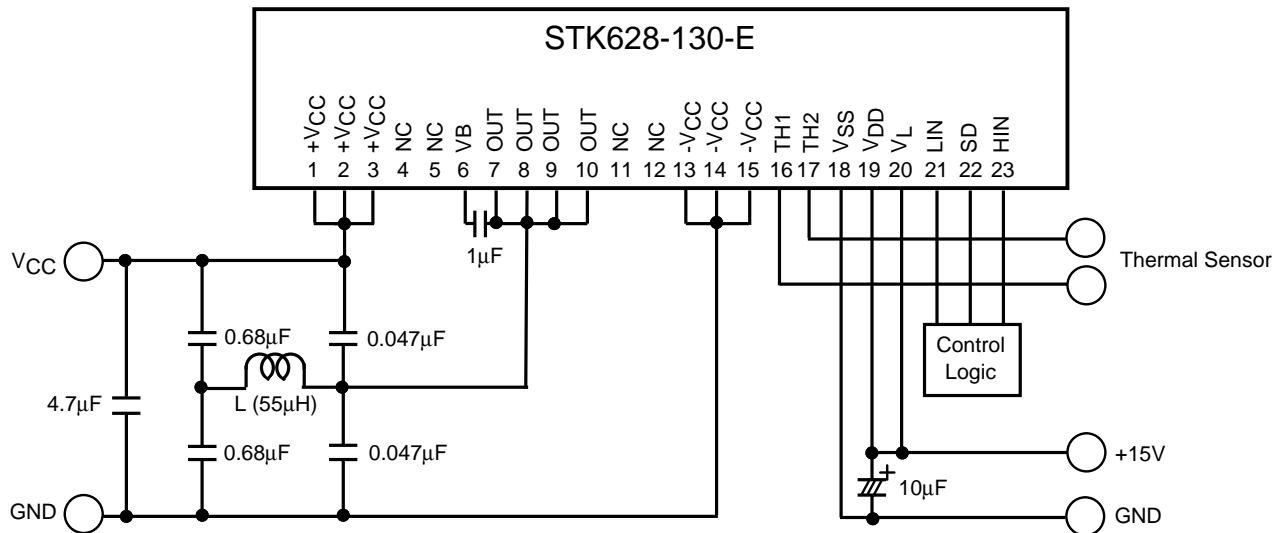


STK628-130-E

Fig.4 Switching time (example: ch1-)



Example of The Application Circuit



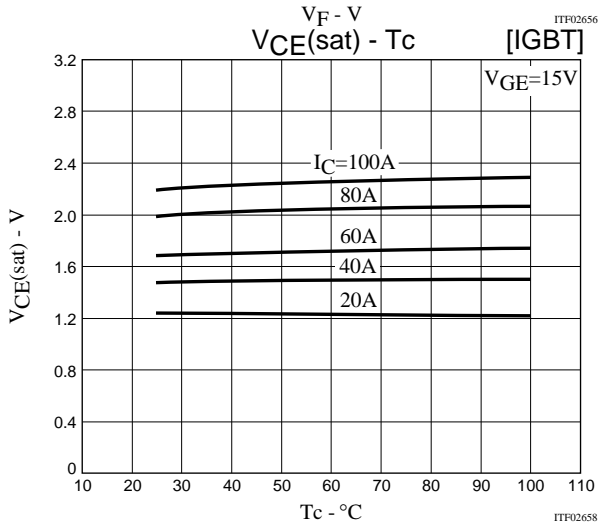
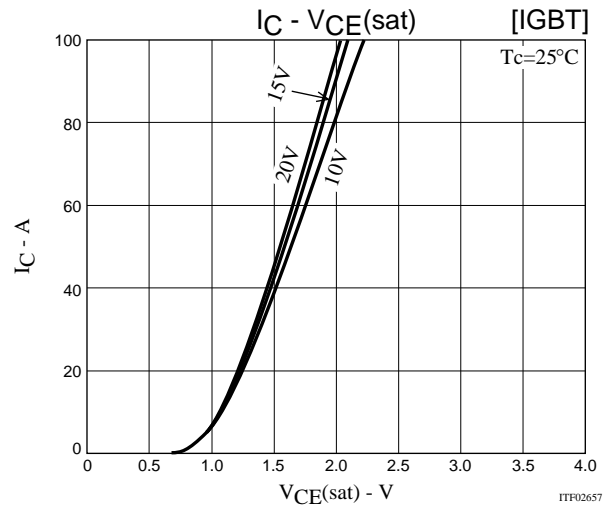
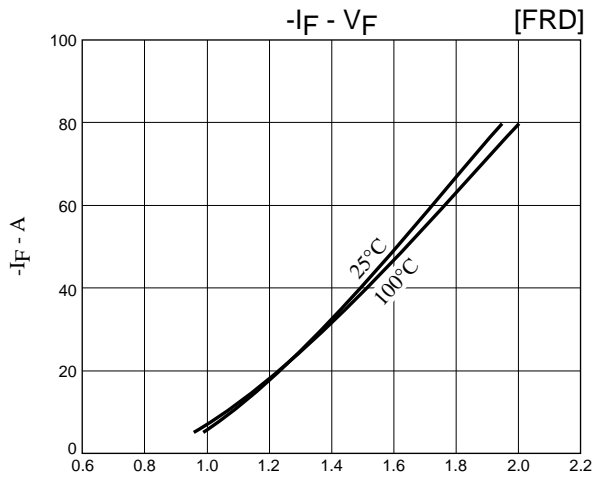
Recommended Operating Conditions

Parameters	Symbol	Conditions	min	typ	max	unit
Supply voltage	V_{CC}	$+V_{CC} - -V_{CC}$		283	330	V
Pre-driver supply voltage	V_{DD}	$V_{DD} - V_{SS} *1$	13	15	18	V
Input ON voltage	$V_{IN} (ON)$	HIN, LIN, SD - V_{SS} terminal	11	13	18	V
Input OFF voltage	$V_{IN} (OFF)$				5	
PWM frequency	fPWM			20	60	kHz
Tightening torque	MT	'M3' Type Screw	0.8		1.0	N•m

Usage Precautions

- This IC has a built-in thermistor between the TH terminal 1 (16pin) and TH terminal 2 (17pin). It allows monitoring of the board temperature using the divided voltage developed with the pull-up resistance R_P . The resistance of the R_P must be 10k Ω or higher at a pull-up voltage of 5V and 39k Ω or higher at a pull-up voltage of 15V.

STK628-130-E



- SANYO Semiconductor Co.,Ltd. assumes no responsibility for equipment failures that result from using products at values that exceed, even momentarily, rated values (such as maximum ratings, operating condition ranges, or other parameters) listed in products specifications of any and all SANYO Semiconductor Co.,Ltd. products described or contained herein.
- SANYO Semiconductor Co.,Ltd. strives to supply high-quality high-reliability products, however, any and all semiconductor products fail or malfunction with some probability. It is possible that these probabilistic failures or malfunction could give rise to accidents or events that could endanger human lives, trouble that could give rise to smoke or fire, or accidents that could cause damage to other property. When designing equipment, adopt safety measures so that these kinds of accidents or events cannot occur. Such measures include but are not limited to protective circuits and error prevention circuits for safe design, redundant design, and structural design.
- In the event that any or all SANYO Semiconductor Co.,Ltd. products described or contained herein are controlled under any of applicable local export control laws and regulations, such products may require the export license from the authorities concerned in accordance with the above law.
- No part of this publication may be reproduced or transmitted in any form or by any means, electronic or mechanical, including photocopying and recording, or any information storage or retrieval system, or otherwise, without the prior written consent of SANYO Semiconductor Co.,Ltd.
- Any and all information described or contained herein are subject to change without notice due to product/technology improvement, etc. When designing equipment, refer to the "Delivery Specification" for the SANYO Semiconductor Co.,Ltd. product that you intend to use.
- Information (including circuit diagrams and circuit parameters) herein is for example only; it is not guaranteed for volume production.
- Upon using the technical information or products described herein, neither warranty nor license shall be granted with regard to intellectual property rights or any other rights of SANYO Semiconductor Co.,Ltd. or any third party. SANYO Semiconductor Co.,Ltd. shall not be liable for any claim or suits with regard to a third party's intellectual property rights which has resulted from the use of the technical information and products mentioned above.

This catalog provides information as of February, 2009. Specifications and information herein are subject to change without notice.