

T3/DS3/E3/STS-1 Interface Transformers



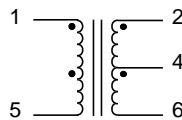
- Optimized for leading Transceiver I.C.'s •
- Meets or exceeds UL1950, EN60950 & G703 Standards •
- 2000 Vrms Isolation •
- See Selection Guide for I.C. Cross Reference •

Electrical Parameters @ 25° C

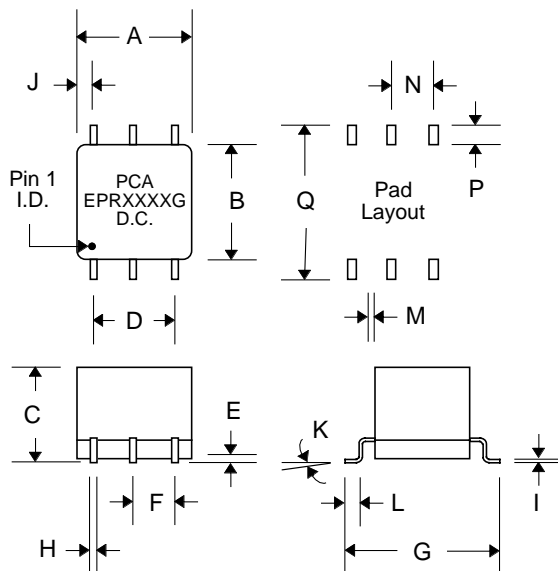
Part Number	Turns Ratio	OCL (μH Min.)	Cw/w (pF Max.)	LI (μH Max.)	DCR (Ω Max.)	Primary Pins
EPR1301G*	1:1	40	13	0.12	1.7 / 1.7	1, 5 *
EPR1302G	1:2CT	35	20	0.12	1.0 / 1.0	1, 5
EPR1303G	1:4CT	150	15	0.3	1.4 / 1.4	1, 5
EPR1304G	1:1.73CT	50	12	0.1	1.0 / 1.8	1, 5
EPR1326G*	1:1	40	13	0.12	1.4 / 1.2	1, 5 *
EPR1327G	1:2CT	35	20	0.12	1.4 / 1.4	1, 5
EPR1328G	1:4CT	150	15	0.3	1.4 / 1.4	1, 5
EPR1329G	1:1.73CT	50	12	0.1	1.2 / 1.2	1, 5

- * Pin 4 not connected •

Schematic



Package



Dimensions

Dim.	(Inches)			(millimeters)		
	Min.	Max.	Nom.	Min.	Max.	Nom.
A	.280	.300	.290	7.11	7.62	7.37
B	.280	.300	.290	7.11	7.62	7.37
C	.230	.250	.240	5.84	6.35	6.10
D	---	---	.500	---	---	12.70
E	.010	.015	.0125	.254	.381	.318
F	---	---	.100	---	---	2.54
G	.380	.400	.390	13.72	12.22	13.97
H	.018	.022	.020	.457	.559	.508
I	.008	.012	.010	.203	.305	.254
J	---	---	.085	---	---	2.16
K	0°	8°	---	0°	8°	---
L	.035	.055	.045	.635	1.14	.889
M	---	---	.030	---	---	.762
N	---	---	.100	---	---	2.54
P	---	---	.085	---	---	2.16
Q	---	---	.610	---	---	15.50