

Low Profile Home Phone Networking Analog Magnetics Module with 10 Base-T

EPB5136G

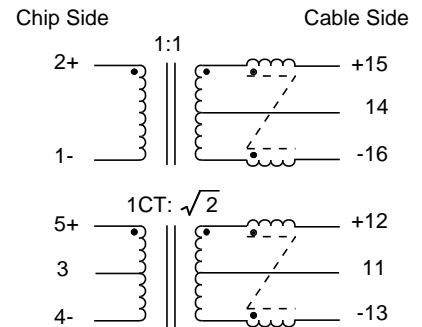
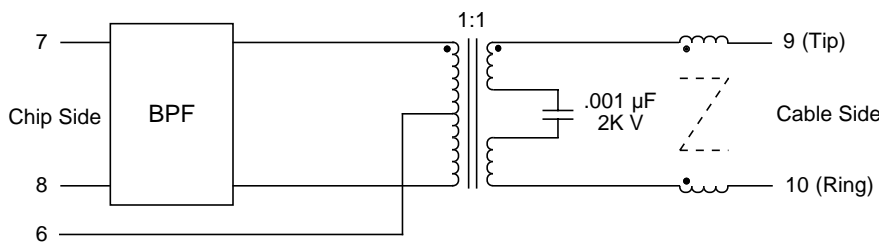
- Optimized for AMD79C978 / Conexant CN7221 Chip •
 - Supports TUT Systems HPN Architecture •
 - Robust construction allows for reflow processes •
 - Temperature Range -40°C to +85°C •

Electrical Parameters @ 25° C

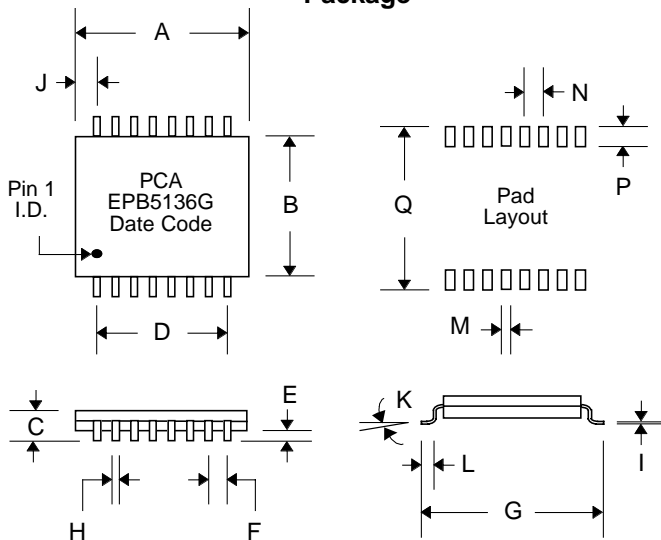
10 Base -T OCL (uH Min.)	Cut-off Frequency		Insertion Loss (dB Max.)	Return Loss (dB Min.)	Attenuation (dB Min.)				CMRR (dB Min.)		
	Lower Band MHz	Upper Band MHz			@ 1 MHz	@ 4 MHz	@ 14 MHz	@ 27 MHz	@ 100 MHz	@ 200 MHz	@ 300 MHz
140	4-5.8	9-11	-2.0	-12	-50	-15	-15	-35	-40	-35	-30

• Filter Characteristic Impedance : 100 Ω Isolation Pri. to Sec: 1500 Vrms •

Schematic



Package



Dimensions

Dim.	(Inches)			(Millimeters)		
	Min.	Max.	Nom.	Min.	Max.	Nom.
A	.830	.850	.840	21.08	21.59	21.34
B	.740	.760	.750	18.8	19.3	19.05
C	.084	.092	.088	2.13	2.23	2.24
D	---	---	.700	---	---	17.78
E	.003	.010	.005	.076	.254	.127
F	---	---	.100	---	---	2.54
G	.870	.890	.880	22.10	22.61	22.35
H	.017	.022	.020	.432	.559	.508
I	.008	.013	.011	.203	.330	.279
J	---	---	.070	---	---	1.78
K	0°	8°	---	0°	8°	---
L	.025	.045	.035	.635	1.14	.889
M	---	---	.030	---	---	.762
N	---	---	.100	---	---	2.54
P	---	---	.085	---	---	2.16
Q	---	---	.910	---	---	23.11