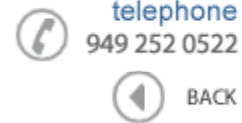


**Data Sheet**
 telephone  
 949 252 0522


BACK

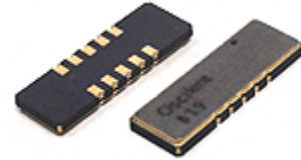
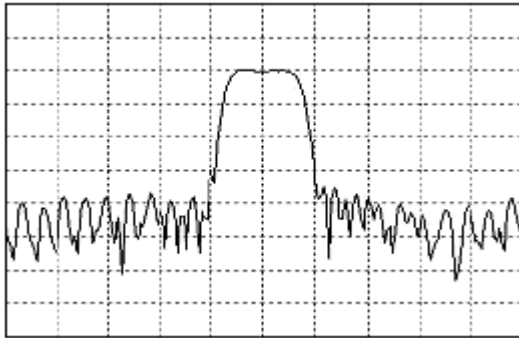
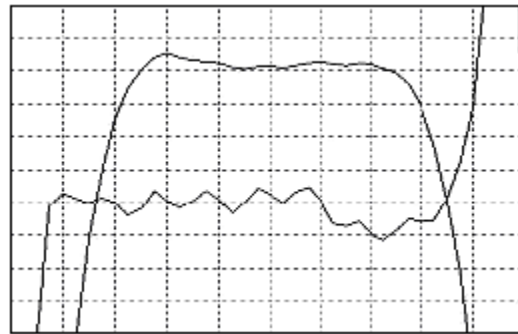
Product Category: IF SAW Filter

Part Number	Package	Application	Last Modified
819-IF190.0M-A	19 x 6.5 SMD	Base Station, Repeater, HDR, IMT-2000	May 22 2003

**TYPE :**

190.0 MHz Bandpass Filter

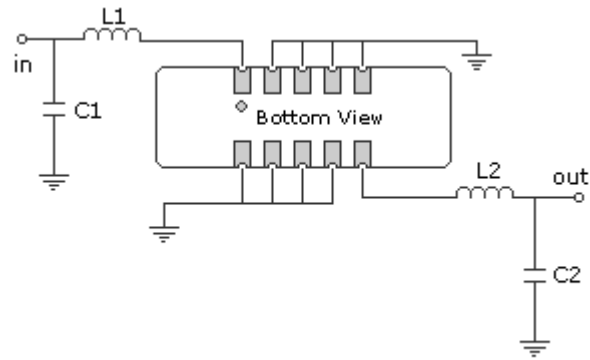
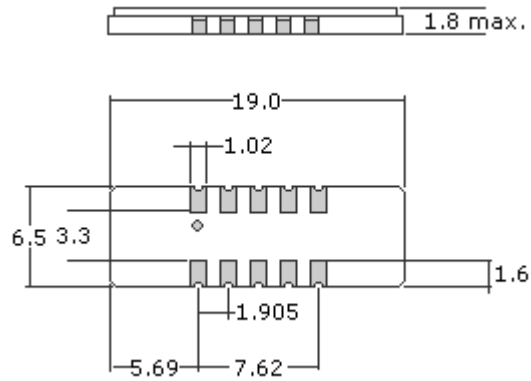
1.22 MHz Bandwidth

**PART NUMBER :****819-IF190.0M-A**
 Horizontal : 1.0 MHz/Div  
 Vertical : 10 dB/Div

 Horizontal : 0.2 MHz/Div  
 Vertical : 1 dB/Div  
 Vertical : 100 ns/Div
**OPERATING CONDITIONS / ELECTRICAL CHARACTERISTICS**

PARAMETERS	Minimum	Typical	Maximum	Units
Center Frequency	189.95	190.00	190.05	MHz
Insertion Loss	-	19.0	22.0	dB
1dB Bandwidth	1.10	1.14	-	MHz
3dB Bandwidth	1.22	1.30	-	MHz
25dB Bandwidth	-	1.80	1.85	MHz
33dB Bandwidth	-	1.91	1.96	MHz
Passband Ripple	-	0.50	1.0	dB
Group Delay Variation	-	120	200	nsec
Ultimate Rejection	32	38	-	dB
Substrate Material	-	Quartz	-	-
Ambient Temperature	-	25	-	°C
Phase Linearity	-	3.0	7.0	deg

\* Custom SAW IF Filters available. Contact Oscilent for assistance.

**PACKAGE OUTLINE (mm)****TEST FIXTURE**



L1 = 56nH                      L2 = 39nH  
 C1 = 22pF                      C2 = 27pF  
 Source/Load Impedance = 50 ohms

**Oscilent Corporation** - CALL **949.252.0522**

17962 Sky Park Circle, Building D, Irvine, CA 92614, USA  
 Fax: 949.252.0599, E-Mail: Sales@Oscilent.com

**Part No.:** 819-IF190.0M-A

Crystal Oscillators | Quartz Crystal | TCXO | VCXO | IF SAW Filter | RF SAW Filter | Ceramic Resonator  
 Crystal Filter | Ceramic Filter | SAW Filter / SAW Devices | Site Map