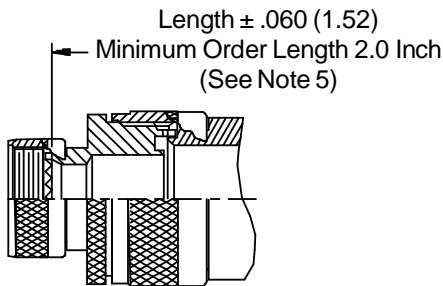
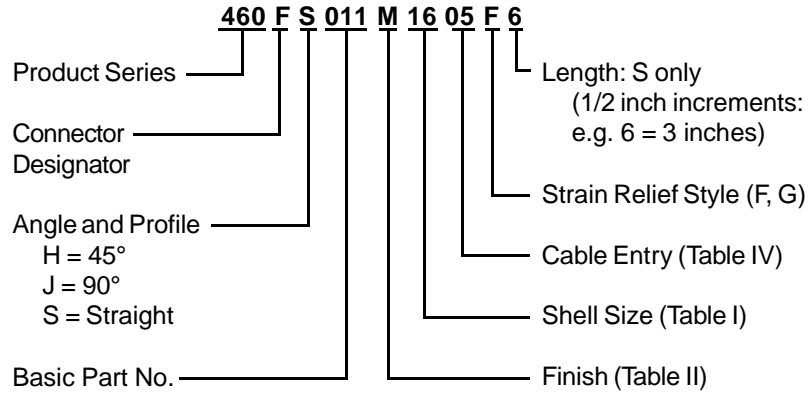
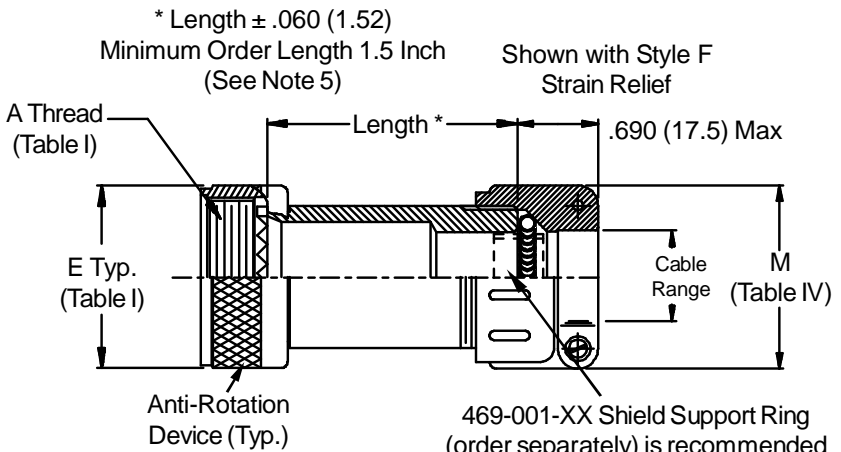


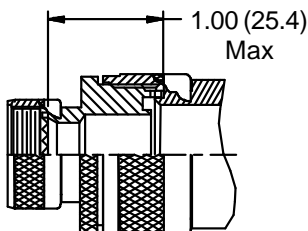
**CONNECTOR
DESIGNATORS
A-F-H-L-S
SELF-LOCKING
ROTATABLE
COUPLING**



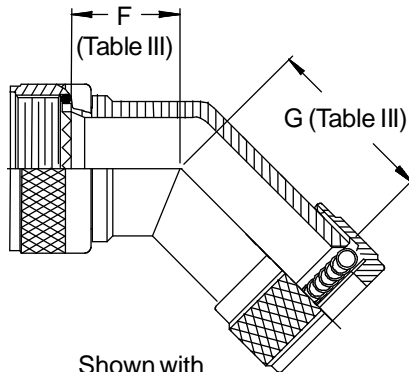
**STYLE 2
(STRAIGHT
See Note 1)**



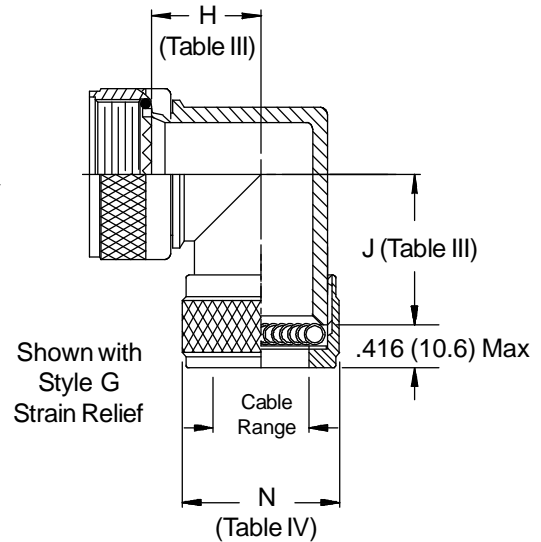
469-001-XX Shield Support Ring (order separately) is recommended for use in all G-Spring backshells (see page 463-8)



**STYLE 2
(45° & 90°
See Note 1)**



Shown with Style G Strain Relief



Shown with Style F Strain Relief

See inside back cover fold-out or pages 13 and 14 for Tables I and II.

TABLE III: ELBOW DIMENSIONS							
Shell Size		F	G	H	J	Conn. Desig.	
A-F-L-S	H					Max	Max
08	09	.795 (20.2)	.950 (24.1)	.906 (23.0)	1.040 (26.4)		
10	11	.820 (20.8)	.980 (24.9)	.966 (24.5)	1.090 (27.7)		
12	13	.844 (21.4)	1.000 (25.4)	1.026 (26.1)	1.150 (29.2)		
14	15	.861 (21.9)	1.030 (26.2)	1.076 (27.3)	1.200 (30.5)		
16	17	.888 (22.6)	1.050 (26.7)	1.136 (28.9)	1.250 (31.8)		
18	19	.904 (23.0)	1.060 (26.9)	1.176 (29.9)	1.300 (33.0)		
20	21	.929 (23.6)	1.080 (27.4)	1.236 (31.4)	1.360 (34.5)		
22	23	.956 (24.3)	1.120 (28.4)	1.296 (32.9)	1.420 (36.1)		
24	25	.979 (24.9)	1.150 (29.2)	1.356 (34.4)	1.480 (37.6)		
28		1.197 (30.4)	1.270 (32.3)	1.636 (41.6)	1.600 (40.6)		
32		1.294 (32.9)	1.350 (34.3)	1.876 (47.7)	1.780 (45.2)		
36		1.340 (34.0)	1.515 (38.5)	1.986 (50.4)	1.890 (48.0)		

TABLE IV: CABLE ENTRY						
Dash No.	M Max	N Max	Cable Range			
			Min	Max	Min	Max
01	.843 (21.4)	.625 (15.9)	.156 (4.0)	.250 (6.4)		
02	.968 (24.6)	.750 (19.1)	.188 (4.8)	.375 (9.5)		
03	1.046 (26.6)	.875 (22.2)	.250 (6.4)	.438 (11.1)		
04	1.156 (29.4)	1.000 (25.4)	.280 (7.1)	.500 (12.7)		
05	1.218 (30.9)	1.125 (28.6)	.375 (9.5)	.625 (15.9)		
06	1.343 (34.1)	1.250 (31.8)	.500 (12.7)	.750 (19.1)		
07	1.468 (37.3)	1.375 (34.9)	.625 (15.9)	.875 (22.2)		
08	1.593 (40.5)	1.500 (38.1)	.750 (19.1)	1.000 (25.4)		
09	1.718 (43.6)	1.625 (41.3)	.875 (22.2)	1.125 (28.6)		
10	1.843 (46.8)	1.750 (44.5)	1.000 (25.4)	1.250 (31.8)		
11*	2.187 (55.5)	1.875 (47.6)	1.125 (28.6)	1.375 (34.9)		
12*	2.311 (58.7)	2.000 (50.8)	1.250 (31.8)	1.500 (38.1)		
13*	2.437 (61.9)	2.125 (54.0)	1.375 (34.9)	1.625 (41.3)		
14*	2.546 (64.7)	2.250 (57.2)	1.500 (38.1)	1.750 (44.5)		

* Consult factory for availability

1. Shield Support Ring (469-001-XX) is recommended for use in all G-Spring backshells (see page 463-8).
2. When maximum cable entry (page 21) is exceeded, Style 2 will be supplied. Dimensions E, F, G, and H will not apply. Please consult factory.
3. Metric dimensions (mm) are indicated in parentheses.
4. Cable range is defined as the accommodations range for the wire bundle or cable. Dimensions shown are not intended for inspection criteria.
5. Consult factory for shorter lengths on straight backshells.