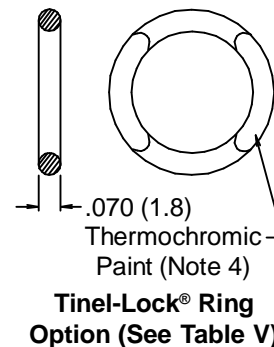
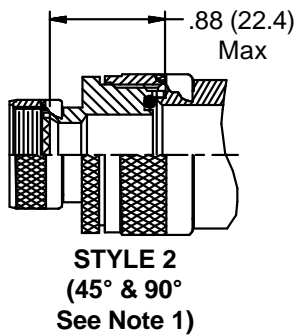
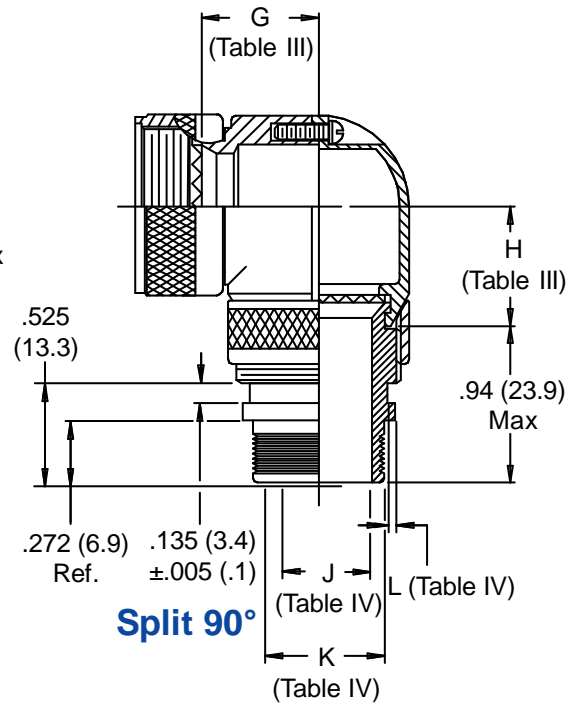
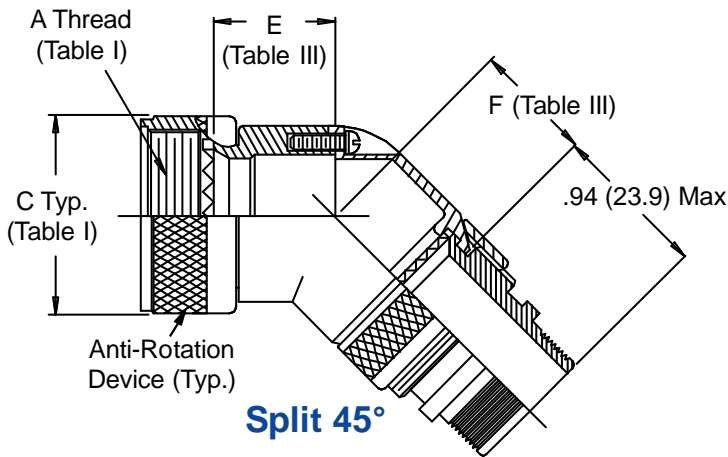
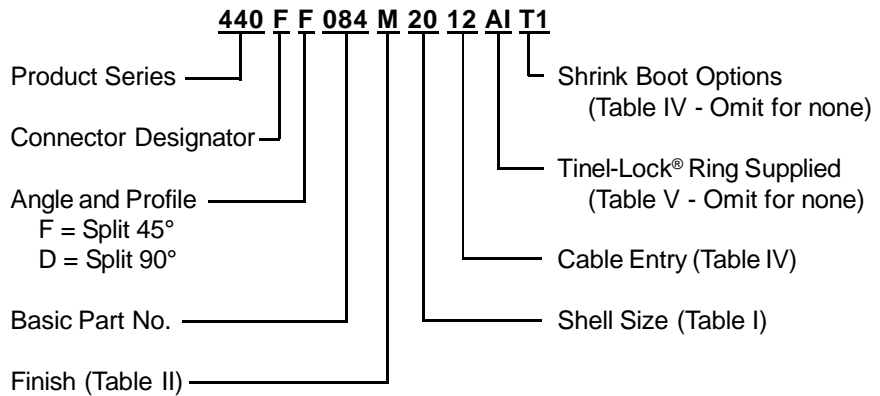


**CONNECTOR
DESIGNATORS
A-F-H-L-S
ROTATABLE
COUPLING**

**FOR TINEL-LOCK®
RING TERMINATIONS**



Tinel-Lock® is a registered trademark of Tyco

See inside back cover fold-out or pages 13 and 14 for Tables I and II.

TABLE III: ELBOW DIMENSIONS

Shell Size		E		F		G		H	
Conn. Desig.	H	Max	(mm)	Max	(mm)	Max	(mm)	Max	(mm)
A-F-L-S									
08	09	.664	(16.9)	.62	(15.7)	.684	(17.4)	.56	(14.2)
10	11	.664	(16.9)	.68	(17.3)	.754	(19.2)	.62	(15.7)
12	13	.724	(18.4)	.75	(19.1)	.814	(20.7)	.69	(17.5)
14	15	.784	(19.9)	.78	(19.8)	.874	(22.2)	.72	(18.3)
16	17	.844	(21.4)	.88	(22.4)	.934	(23.7)	.81	(20.6)
18	19	.914	(23.2)	.94	(23.9)	1.004	(25.5)	.87	(22.1)
20	21	.984	(25.0)	1.00	(25.4)	1.064	(27.0)	.94	(23.9)
22	23	1.044	(26.5)	1.06	(26.9)	1.124	(28.5)	1.00	(25.4)
24	25	1.104	(28.0)	1.12	(28.4)	1.184	(30.1)	1.06	(26.9)

TABLE IV: CABLE ENTRY

Dash No.	J I.D.	K Dia Max	L		Shrink Boot Option T1*	Shrink Boot Option T2*	Tinel-Lock® Ring Entry Size
			+0.008	(.2)			
			-0.000	(.0)			
04	.250 (6.4)	.375 (9.5)	.044	(1.1)	202K121-25-0	202K121-100-0	04
05	.312 (7.9)	.437 (11.1)	.044	(1.1)	202K132-25-0	202K132-100-0	05
06	.375 (9.5)	.500 (12.7)	.044	(1.1)	202K132-25-0	202K132-100-0	06
07	.437 (11.1)	.562 (14.3)	.044	(1.1)	202K142-25-0	202K142-100-0	07
08	.500 (12.7)	.625 (15.9)	.044	(1.1)	202K142-25-0	202K142-100-0	08
10	.625 (15.9)	.750 (19.1)	.044	(1.1)	202K153-25-0	202K153-100-0	10
12	.750 (19.1)	.875 (22.2)	.044	(1.1)	202K153-25-0	202K153-100-0	12
14	.875 (22.2)	1.000 (25.4)	.069	(1.8)	202K163-25-0	202K163-100-0	14
16	1.000 (25.4)	1.125 (28.6)	.069	(1.8)	202K163-25-0	202K163-100-0	16
18	1.125 (28.6)	1.250 (31.8)	.069	(1.8)	202K174-25-0	202K174-100-0	18
20	1.250 (31.8)	1.375 (34.9)	.069	(1.8)	202K174-25-0	202K174-100-0	20

* Raychem Shrink Boot and Epoxy/Polyamide Two Part Adhesive Paste (S1125) Supplied with "T1" Option (See Part Number Development)

** Raychem Shrink Boot and Hot-Melt/Polyolyfin Adhesive Supplied with "T2" Option (See Part Number Development) - This is a Halogen Free System

- When maximum cable entry (page 21) is exceeded, Style 2 will be supplied.
Dimensions E, F, G, and H will not apply. Please consult factory.
- Metric dimensions (mm) are indicated in parentheses.
- See page 40 for Shrink Boot Reference Information.
- The Tinel-Lock® ring designator must be specified according to the type of cable braid used. Tinel-Lock® rings are marked with thermochromic paint which changes color when the correct installation temperature is reached.
BI rings are identified with a red spot.

TABLE V: TINEL-LOCK® RING

Braid Type	Ring Designator
Single Layer 36 AWG	AI
Single Layer 34 AWG	AI
Single Layer 32 AWG	BI
Single Layer 30 AWG	BI
Double Layer 36 AWG	BI
Double Layer 34 AWG	BI
Double Layer 32 AWG	CI