

COMMON MODE LINE CHOKES

- 1 For High Frequency Power Supply Applications
- 2 1250 Vrms Isolation Voltage
- 3 Vertical Mount
- 4 Industry Standard Package

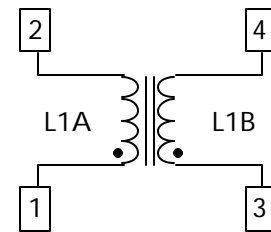
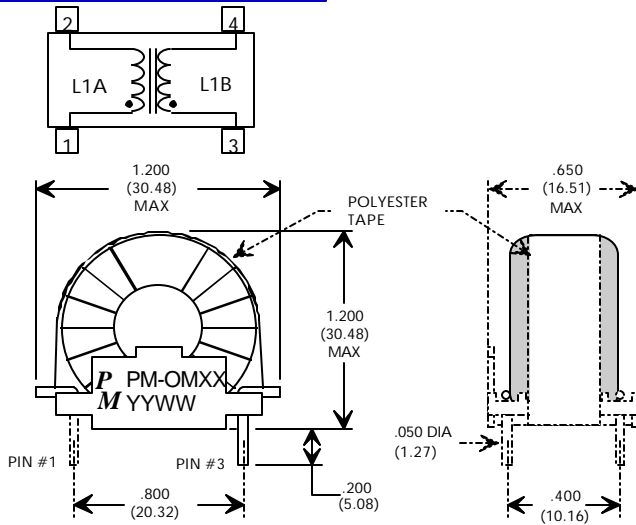
ELECTRICAL SPECIFICATIONS AT 25°C - OPERATING TEMPERATURE RANGE -40°C TO +85°C

| PART NUMBER | RATED RMS Current Amps | Load VA @ RMS Line | | INDUCTANCE @ 1KHz (mH Min.) | L ₁ @ 130KHz (mH Max.) | DCR EACH WINDING (Ohms Max.) | PACKAGE |
|-------------|------------------------|--------------------|------|-----------------------------|-----------------------------------|------------------------------|---------|
| | | 117V | 220V | | | | |
| PM-OM01 | 1.8 | 210 | 420 | 10.0 | 130 | 0.240 | A |
| PM-OM02 | 3.5 | 400 | 800 | 3.0 | 35 | 0.060 | A |
| PM-OM03 | 6.0 | 700 | 1400 | 1.0 | 12 | 0.020 | A |
| PM-OM04 | 2.6 | 300 | 600 | 16.0 | 180 | 0.320 | B |
| PM-OM05 | 3.2 | 375 | 750 | 8.0 | 90 | 0.120 | B |
| PM-OM06 | 5.2 | 600 | 1200 | 4.0 | 45 | 0.040 | B |
| PM-OM07 | 7.5 | 875 | 1750 | 2.0 | 25 | 0.020 | B |
| PM-OM13 | 6.0 | 700 | 1400 | 1.0 | 12 | 0.020 | C |

PACKAGE "A"

Physical Dimensions in inches (mm)

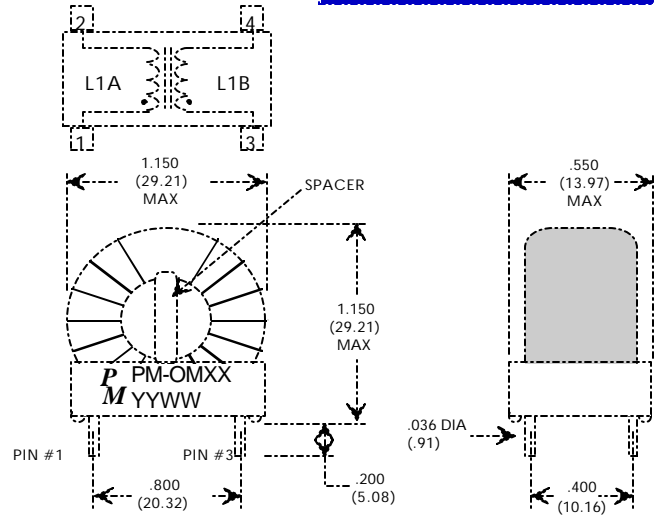
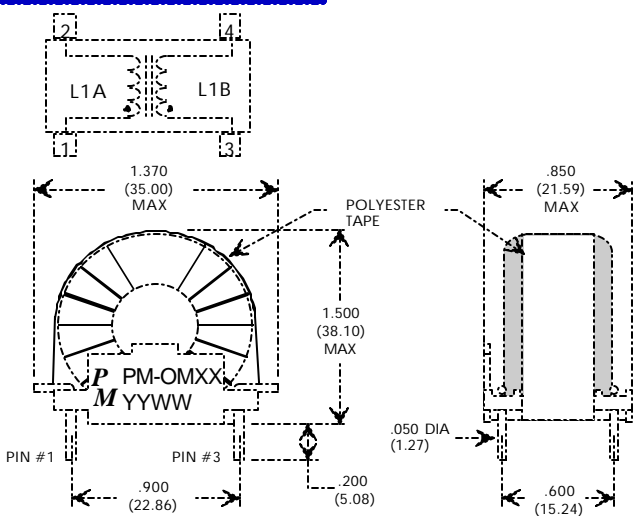
SCHEMATICS



PACKAGE "B"

Physical Dimensions in inches (mm)

PACKAGE "C"



Specifications subject to change without notice.

PM-OMxxx 11/06

COMMON MODE LINE CHOKES

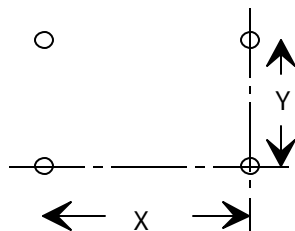
- ① For High Frequency Power Supply Applications
- ② 1250 Vrms Isolation Voltage

- ③ Vertical Mount
- ④ Industry Standard Package

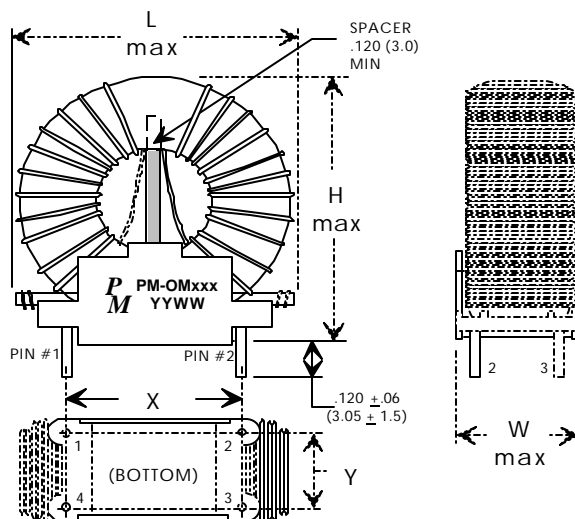
ELECTRICAL SPECIFICATIONS AT 25°C - OPERATING TEMPERATURE RANGE -40°C TO +85°C

| PART NUMBER | IND. (L.) @15.75Khz (mHMin) | CURRENT RATING (Arms) | LEAKAGE L (mH Max.) | DCR Ohms (Max.) | REF. DIMENSIONS IN INCHES | | | | | |
|-------------|-----------------------------------|--------------------------|---------------------------|-----------------------|---------------------------|------------|------------|--------------|--------------|--------------|
| | | | | | H (Max) | L (Max) | W (Max) | X (±0.01) | Y (±0.01) | Lead Dia. |
| PM-OM101 | 5.0 | 1.0 | 80 | 0.207 | 1.100 | 1.210 | 0.625 | 0.80 | 0.40 | 0.054 |
| PM-OM102 | 8.0 | 1.0 | 125 | 0.270 | 1.100 | 1.210 | 0.625 | 0.80 | 0.40 | 0.054 |
| PM-OM103 | 15.0 | 1.0 | 233 | 0.430 | 1.155 | 1.300 | 0.625 | 0.80 | 0.40 | 0.054 |
| PM-OM104 | 2.5 | 2.0 | 42 | 0.090 | 1.100 | 1.210 | 0.625 | 0.80 | 0.40 | 0.054 |
| PM-OM105 | 4.0 | 2.0 | 70 | 0.095 | 1.050 | 1.210 | 0.625 | 0.80 | 0.40 | 0.054 |
| PM-OM106 | 7.5 | 2.0 | 74 | 0.108 | 1.155 | 1.300 | 0.625 | 0.80 | 0.40 | 0.054 |
| PM-OM107 | 1.3 | 4.0 | 20 | 0.029 | 1.100 | 1.210 | 0.625 | 0.80 | 0.40 | 0.054 |
| PM-OM108 | 2.1 | 4.0 | 36 | 0.040 | 1.100 | 1.210 | 0.625 | 0.80 | 0.40 | 0.054 |
| PM-OM109 | 3.7 | 4.0 | 40 | 0.036 | 1.125 | 1.300 | 0.625 | 0.80 | 0.40 | 0.054 |
| PM-OM110 | 1.0 | 6.0 | 19 | 0.022 | 1.100 | 1.210 | 0.625 | 0.80 | 0.40 | 0.054 |
| PM-OM111 | 1.7 | 6.0 | 34 | 0.032 | 1.155 | 1.300 | 0.625 | 0.80 | 0.40 | 0.054 |
| PM-OM112 | 3.0 | 6.0 | 35 | 0.027 | 1.200 | 1.210 | 0.625 | 0.80 | 0.40 | 0.054 |
| PM-OM113 | 0.6 | 9.0 | 11 | 0.012 | 1.200 | 1.210 | 0.625 | 0.80 | 0.40 | 0.042 |
| PM-OM114 | 1.1 | 9.0 | 12 | 0.013 | 1.300 | 1.210 | 0.625 | 0.80 | 0.40 | 0.042 |
| PM-OM115 | 1.9 | 9.0 | 20 | 0.017 | 1.300 | 1.400 | 0.625 | 0.80 | 0.40 | 0.042 |
| PM-OM116 | 0.5 | 12.0 | 9 | 0.008 | 1.200 | 1.210 | 0.625 | 0.80 | 0.40 | 0.048 |
| PM-OM117 | 0.8 | 12.0 | 9 | 0.008 | 1.200 | 1.210 | 0.625 | 0.80 | 0.40 | 0.048 |
| PM-OM118 | 1.4 | 12.0 | 16 | 0.011 | 1.300 | 1.210 | 0.625 | 0.80 | 0.40 | 0.048 |
| PM-OM119 | 0.3 | 15.0 | 6 | 0.005 | 1.300 | 1.210 | 0.625 | 0.80 | 0.40 | 0.054 |
| PM-OM120 | 0.6 | 15.0 | 6.5 | 0.006 | 1.250 | 1.210 | 0.625 | 0.80 | 0.40 | 0.054 |
| PM-OM121 | 1.1 | 15.0 | 13.7 | 0.008 | 1.250 | 1.210 | 0.700 | 0.80 | 0.40 | 0.054 |

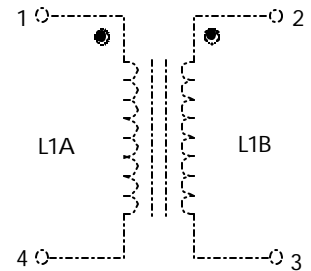
MECHANICAL



RECOMMENDED P.C.B. LAYOUT
Dimensions in inches



SCHEMATICS



Specifications subject to change without notice.

PM-OMxxx 11/06

COMMON MODE LINE CHOKES

- 1 For High Frequency Power Supply Applications
- 2 1250 Vrms Isolation Voltage

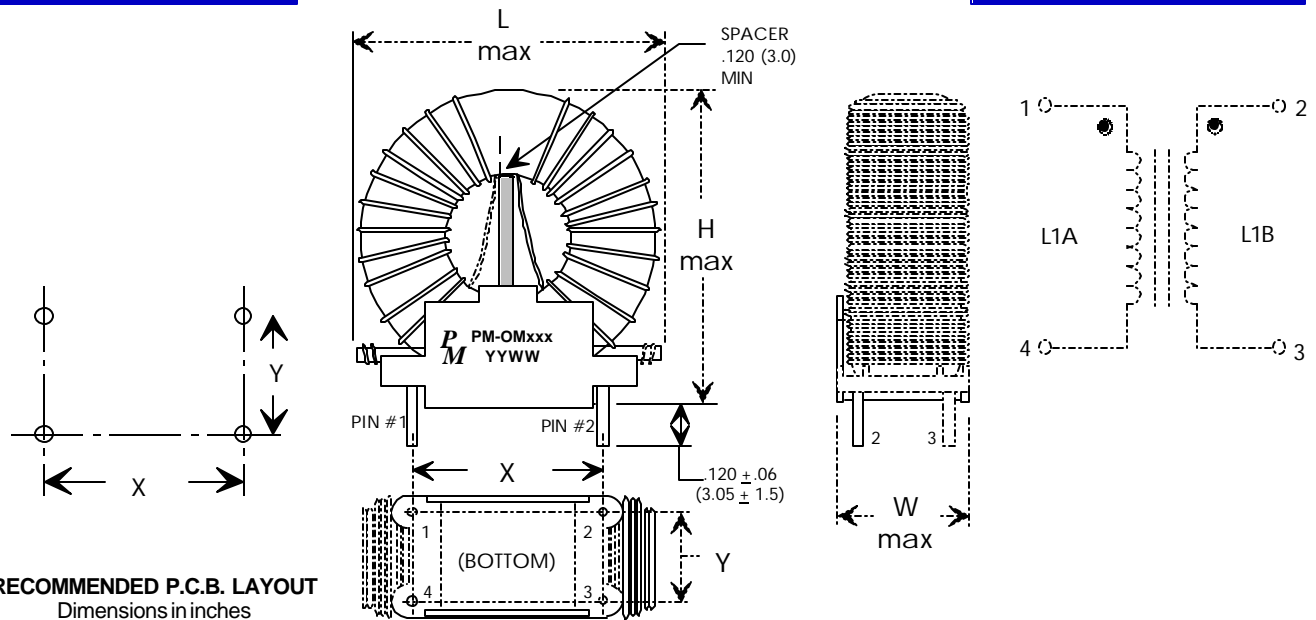
- 3 Vertical Mount
- 4 Industry Standard Package

ELECTRICAL SPECIFICATIONS AT 25°C - OPERATING TEMPERATURE RANGE -40°C TO +85°C

| PART NUMBER | IND. (L _s) @15.75Khz (mHMin) | CURRENT RATING (Arms) | LEAKAGE L _l (mH Max.) | DCR Ohms (Max.) | REF. DIMENSIONS IN INCHES | | | | | |
|-------------|--|--------------------------|--|-----------------------|---------------------------|------------|------------|--------------|--------------|--------------|
| | | | | | H (Max) | L (Max) | W (Max) | X (±0.01) | Y (±0.01) | Lead Dia. |
| PM-OM201 | 7.5 | 1.0 | 90 | 0.270 | 1.100 | 1.310 | 0.825 | 0.90 | 0.60 | 0.054 |
| PM-OM202 | 13.0 | 1.0 | 190 | 0.415 | 1.300 | 1.310 | 0.825 | 0.90 | 0.60 | 0.054 |
| PM-OM203 | 3.8 | 2.0 | 48 | 0.106 | 1.100 | 1.310 | 0.825 | 0.90 | 0.60 | 0.054 |
| PM-OM204 | 6.5 | 2.0 | 98 | 0.145 | 1.300 | 1.310 | 0.825 | 0.90 | 0.60 | 0.054 |
| PM-OM205 | 1.9 | 4.0 | 26 | 0.038 | 1.100 | 1.310 | 0.825 | 0.90 | 0.60 | 0.054 |
| PM-OM206 | 3.3 | 4.0 | 45 | 0.055 | 1.300 | 1.300 | 0.825 | 0.90 | 0.60 | 0.054 |
| PM-OM207 | 1.5 | 6.0 | 21 | 0.029 | 1.100 | 1.310 | 0.825 | 0.90 | 0.60 | 0.054 |
| PM-OM208 | 2.6 | 6.0 | 41 | 0.040 | 1.400 | 1.400 | 0.900 | 0.90 | 0.60 | 0.054 |
| PM-OM209 | 0.9 | 9.0 | 17 | 0.014 | 1.200 | 1.310 | 0.825 | 0.90 | 0.60 | 0.042 |
| PM-OM210 | 1.5 | 9.0 | 15 | 0.013 | 1.250 | 1.250 | 0.825 | 0.90 | 0.60 | 0.042 |
| PM-OM211 | 0.7 | 12.0 | 14 | 0.011 | 1.200 | 1.250 | 0.825 | 0.90 | 0.60 | 0.048 |
| PM-OM212 | 1.2 | 12.0 | 14 | 0.011 | 1.200 | 1.250 | 0.825 | 0.90 | 0.60 | 0.048 |
| PM-OM213 | 0.5 | 15.0 | 8.7 | 0.007 | 1.300 | 1.300 | 0.825 | 0.90 | 0.60 | 0.054 |
| PM-OM214 | 0.8 | 15.0 | 10 | 0.007 | 1.200 | 1.250 | 0.825 | 0.90 | 0.60 | 0.054 |

MECHANICAL

SCHEMATICS



COMMON MODE LINE CHOKES

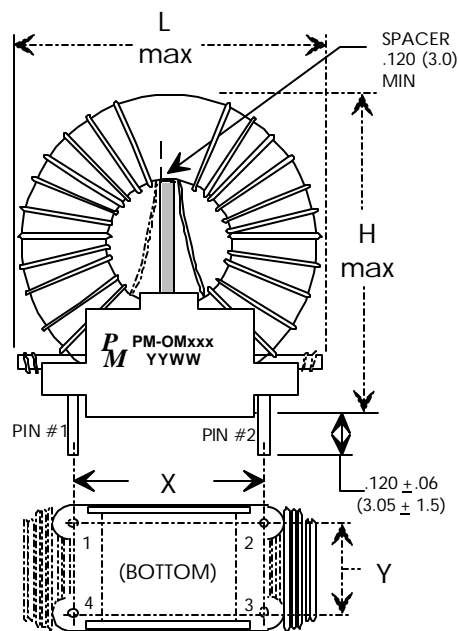
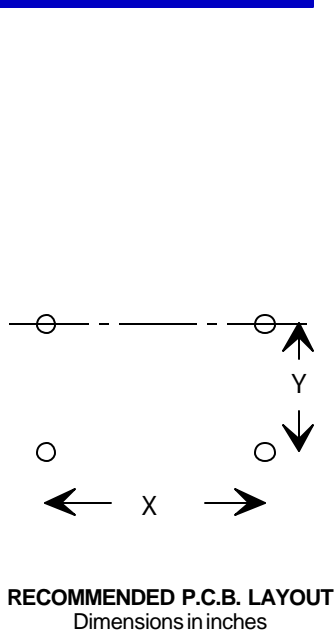
- ① For High Frequency Power Supply Applications
- ② 1250 Vrms Isolation Voltage

- ③ Vertical Mount
- ④ Industry Standard Package

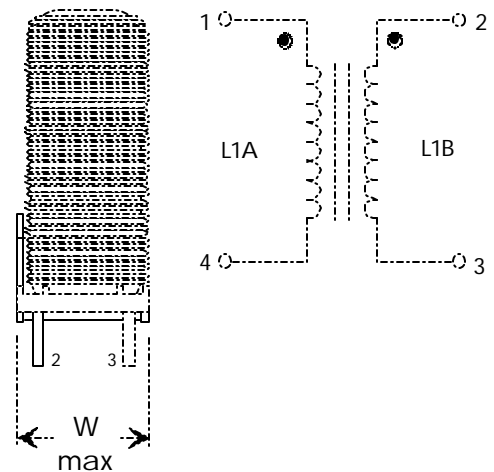
ELECTRICAL SPECIFICATIONS AT 25°C - OPERATING TEMPERATURE RANGE -40°C TO +85°C

| PART NUMBER | IND. (L _i) @15.75Khz (mHMin) | CURRENT RATING (Arms) | LEAKAGE L _l (mH Max.) | DCR Ohms (Max.) | REF. DIMENSIONS IN INCHES | | | | | |
|-------------|--|-----------------------|----------------------------------|-----------------|---------------------------|---------|---------|-----------|-----------|-----------|
| | | | | | H (Max) | L (Max) | W (Max) | X (±0.01) | Y (±0.01) | Lead Dia. |
| PM-OM301 | 32.5 | 1.0 | 485 | 0.650 | 1.400 | 1.650 | 0.925 | 1.20 | 0.70 | 0.054 |
| PM-OM302 | 56.0 | 1.0 | 780 | 0.900 | 1.650 | 1.650 | 0.925 | 1.20 | 0.70 | 0.054 |
| PM-OM303 | 16.0 | 2.0 | 210 | 0.240 | 1.400 | 1.650 | 0.925 | 1.20 | 0.70 | 0.054 |
| PM-OM304 | 28.0 | 2.0 | 410 | 0.330 | 1.650 | 1.650 | 0.925 | 1.20 | 0.70 | 0.054 |
| PM-OM305 | 8.0 | 4.0 | 57.5 | 0.061 | 1.350 | 1.650 | 0.925 | 1.20 | 0.70 | 0.054 |
| PM-OM306 | 14.0 | 4.0 | 180 | 0.120 | 1.700 | 1.650 | 0.950 | 1.20 | 0.70 | 0.054 |
| PM-OM307 | 6.6 | 6.0 | 49 | 0.048 | 1.400 | 1.600 | 0.925 | 1.20 | 0.70 | 0.054 |
| PM-OM308 | 11.5 | 6.0 | 140 | 0.088 | 1.700 | 1.650 | 0.925 | 1.20 | 0.70 | 0.054 |
| PM-OM309 | 4.0 | 9.0 | 37 | 0.026 | 1.400 | 1.450 | 0.925 | 1.20 | 0.70 | 0.042 |
| PM-OM310 | 7.0 | 9.0 | 104 | 0.045 | 1.760 | 1.760 | 0.975 | 1.20 | 0.70 | 0.042 |
| PM-OM311 | 3.0 | 12.0 | 40 | 0.022 | 1.700 | 1.700 | 0.950 | 1.20 | 0.70 | 0.048 |
| PM-OM312 | 5.2 | 12.0 | 47 | 0.025 | 1.700 | 1.700 | 1.000 | 1.20 | 0.70 | 0.048 |
| PM-OM313 | 2.5 | 15.0 | 42 | 0.019 | 1.750 | 1.750 | 1.000 | 1.20 | 0.70 | 0.054 |
| PM-OM314 | 4.4 | 15.0 | 48 | 0.017 | 1.700 | 1.700 | 1.000 | 1.20 | 0.70 | 0.054 |

MECHANICAL



SCHEMATICS



COMMON MODE LINE CHOKES

- 1 For High Frequency Power Supply Applications
- 2 1250 Vrms Isolation Voltage
- 3 Vertical Mount
- 4 Industry Standard Package

ELECTRICAL SPECIFICATIONS AT 25°C - OPERATING TEMPERATURE RANGE -40°C TO +85°C

| PART NUMBER | IND. (L _s) @15.75Khz (mHMin) | CURRENT RATING (Arms) | LEAKAGE L _s (mH Max.) | DCR Ohms (Max.) | REF. DIMENSIONS IN INCHES | | | | | |
|-------------|--|--------------------------|--|-----------------------|---------------------------|------------|------------|--------------|--------------|--------------|
| | | | | | H (Max) | L (Max) | W (Max) | X (±0.01) | Y (±0.01) | Lead Dia. |
| PM-OM401 | 72.0 | 1.0 | 1400 | 1.150 | 2.100 | 2.100 | 1.130 | 1.50 | 0.90 | 0.054 |
| PM-OM402 | 125.0 | 1.0 | 1400 | 1.150 | 2.200 | 2.150 | 1.130 | 1.50 | 0.90 | 0.054 |
| PM-OM403 | 36.0 | 2.0 | 680 | 0.415 | 2.150 | 2.150 | 1.130 | 1.50 | 0.90 | 0.054 |
| PM-OM404 | 62.0 | 2.0 | 750 | 0.415 | 2.200 | 2.150 | 1.130 | 1.50 | 0.90 | 0.054 |
| PM-OM405 | 19.0 | 4.0 | 350 | 0.150 | 2.200 | 2.180 | 1.130 | 1.50 | 0.90 | 0.054 |
| PM-OM406 | 32.0 | 4.0 | 370 | 0.158 | 2.200 | 2.180 | 1.130 | 1.50 | 0.90 | 0.054 |
| PM-OM407 | 15.0 | 6.0 | 275 | 0.114 | 2.200 | 2.180 | 1.130 | 1.50 | 0.90 | 0.054 |
| PM-OM408 | 26.0 | 6.0 | 320 | 0.115 | 2.225 | 2.180 | 1.130 | 1.50 | 0.90 | 0.054 |
| PM-OM409 | 10.0 | 9.0 | 190 | 0.057 | 2.200 | 2.180 | 1.130 | 1.50 | 0.90 | 0.042 |
| PM-OM410 | 17.0 | 9.0 | 220 | 0.062 | 2.280 | 2.250 | 1.150 | 1.50 | 0.90 | 0.042 |
| PM-OM411 | 7.5 | 12.0 | 140 | 0.042 | 2.200 | 2.250 | 1.130 | 1.50 | 0.90 | 0.048 |
| PM-OM412 | 13.0 | 12.0 | 155 | 0.043 | 2.500 | 2.300 | 1.130 | 1.50 | 0.90 | 0.048 |
| PM-OM413 | 6.0 | 15.0 | 111 | 0.030 | 2.200 | 2.250 | 1.150 | 1.50 | 0.90 | 0.054 |
| PM-OM414 | 10.0 | 15.0 | 122 | 0.029 | 2.280 | 2.300 | 1.130 | 1.50 | 0.90 | 0.054 |

MECHANICAL

SCHEMATICS

