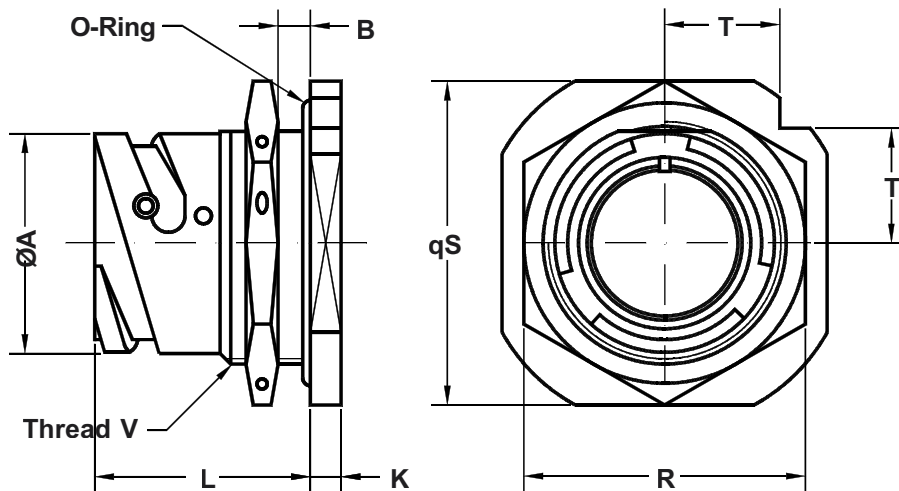
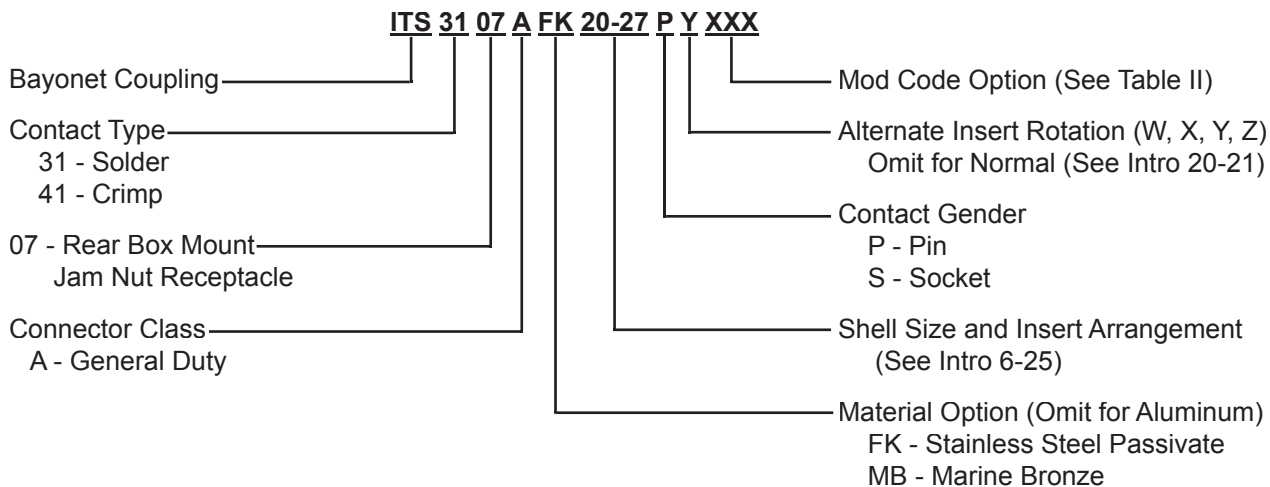


# ITS 3107 (A) and ITS 4107 (A) Rear Panel Mount Jam Nut Receptacle No Accessory Threads



**Application Notes:**

1. Rear panel mount jam nut receptacle without accessory threads.
2. Connector Class "A" (General Duty).
3. Standard materials configuration consists of aluminum alloy with cadmium olive drab finish.
4. Standard contact material consists of copper alloy with silver plating (Gold plating available, see mod codes).
5. A broad range of additional connector accessories are available. See our website and/or contact the factory for complete information.
6. Standard insert material is synthetic rubber. Add "FR" prefix to front of part number to specify fire resistant inserts.



**ITS 3107 (A) and ITS 4107 (A)**  
**Rear Panel Mount Jam Nut Receptacle**  
**No Accessory Threads**



**TABLE I: DIMENSIONS**

Shell Size	ØA +0 -0.1	ØB		K ±0.2	L ±0.1	R Key	S +0.2	T	V Thread
		Min.	Max.						
<b>10 SL</b>	18.2	2.4	5.2	4.0	24.5	27	31.8	11.2	0.8750 - 20UNEF
<b>14 S</b>	24.5	2.4	7.5	4.8	26.8	33	41.3	14.6	1.1250 - 18UNEF
<b>16 S</b>	27.2	2.4	7.5	4.8	26.8	38	44.4	15.7	1.2500 - 18UNEF
<b>16</b>	27.2	2.4	7.5	4.8	32.2	38	44.4	15.7	1.2500 - 18UNEF
<b>18</b>	30.7	2.4	9.0	4.8	33.7	40	47.6	16.8	1.3750 - 18 UNEF
<b>20</b>	34.0	2.4	9.0	4.8	33.7	44	50.8	18.0	1.5000 - 18UNEF
<b>22</b>	37.3	2.4	9.1	4.8	33.7	46	54.2	20.2	1.6250 - 18UNEF
<b>24</b>	40.9	2.4	9.1	4.8	33.7	51	57.2	20.2	1.7500 - 18UNS
<b>28</b>	46.7	2.4	8.5	5.6	35.2	55	63.5	22.5	2.0000 - 18UNS
<b>32</b>	53.4	2.4	6.5	5.6	35.2	62	69.8	24.7	2.2500 - 16UN
<b>36</b>	59.6	2.4	8.3	5.6	35.2	71	76.2	26.9	2.5000 - 16UN
<b>40</b>	65.5	2.4	8.3	5.6	35.2	75	83.5	29.6	2.7500 - 16UN

**TABLE II: MODIFICATION CODES**

CONTACT OPTIONS	
Sym	Description
B0	Connector Less Contacts
B1	Connector with Gold Plated Contacts
Omit for Standard Version (Silver Plated)	
FINISH OPTIONS	
Sym	Description
F2	Bright Nickel Plating
F6	Black Electrodeposited Paint
F7	Black Zn-Co Plating
F8	Olive Drab Zn-Co Plating
Omit for Standard Version (Cad/Olive Drab Finish)	

