

EPI G3229L Series

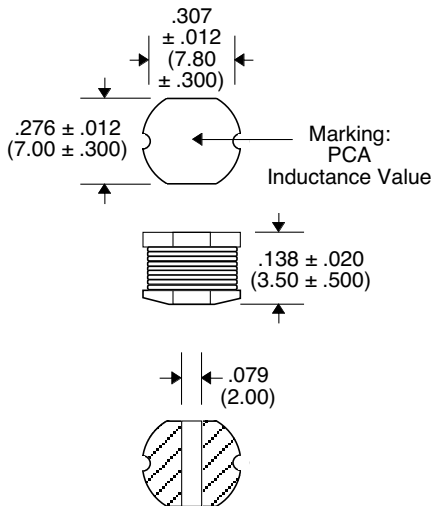


- Used in TFT-LCD Bias Supply, Digital Cameras, Cordless Phones, Medical Diagnostic Equipment, Handheld Devices, MP3 Players and Other Portable Devices
- Used as Inductors in Linear Technology LT1108, LT1372/77, LT1767 & LTC1433/34
- Low loss material ensures operation in high frequency switching converters, such as Buck, Boost or as output averaging filter inductor

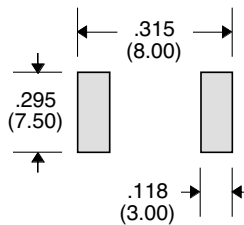
Primary Specification

Part Number	Induct. ($\mu\text{H} \pm 10\%$ @ 0 Adc)	DCR (Ω Max.)	Idc (Amps Max.)
EPI100142G3229L	10	.081	1.44
EPI120132G3229L	12	.090	1.39
EPI150122G3229L	15	.104	1.24
EPI180112G3229L	18	.111	1.12
EPI220102G3229L	22	.129	1.07
EPI270941G3229L	27	.153	0.94
EPI330851G3229L	33	.170	0.85
EPI390741G3229L	39	.217	0.74
EPI470681G3229L	47	.252	0.68
EPI560641G3229L	56	.282	0.64
EPI680591G3229L	68	.332	0.59
EPI820541G3229L	82	.406	0.54
EPI101511G3229L	100	.481	0.51
EPI151401G3229L	150	.755	0.40
EPI221311G3229L	220	1.20	0.31
EPI271291G3229L	270	1.30	0.29
EPI331281G3229L	330	1.495	0.28

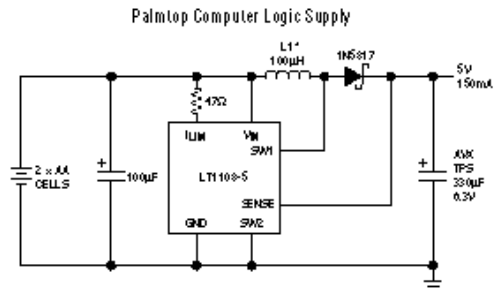
Package G3229L



Recommended Pad Layout



Application



- Note :
1. Temperature Rise : 40°C Typ. @ Idc
 2. Inductance Change at I Saturation : 10% TYP.

Unless Otherwise Specified Dimensions are in Inches /mm $\pm .010 / .25$