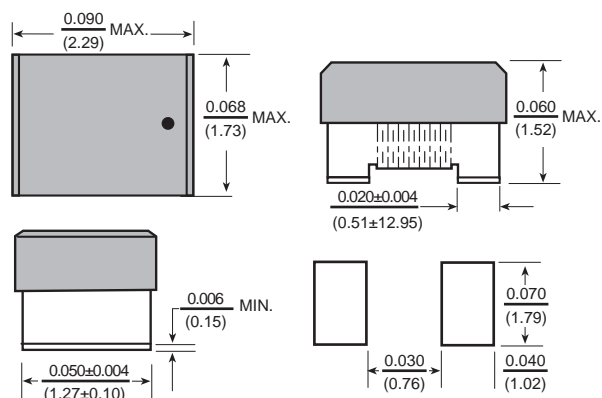
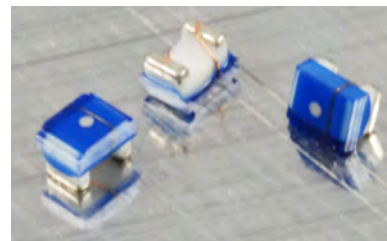


# CC05 Ceramic Core Chip Inductors



Dimensions:  $\frac{\text{Inches}}{\text{(mm)}}$



## Features

- 0805 size suitable for pick and place automation
- Low Profile under 1.52mm
- Ceramic core provide high self resonant frequency.
- High Q values at high frequencies
- Ceramic core also provides excellent thermal and batch consistency

## Electrical

**Inductance Range:** 2.8nH to 1000nH

**Tolerance:** 5% over entire range, except

2.8nH thru 12nH they are available in 10%

Most valued available tighter tolerances

**Test Frequency:** At specified frequency with

Test OSC @ 200mV

**Operating Temp:** -40°C ~ 125°C

**Irms:** Based on 15°C temperature rise @ 25° Ambient.

## Resistance to Soldering Heat

Test Method: Reflow Solder the device onto PCB

Peak Temp: 260°C ± 5°C for 10 sec.

Solder Composition: Sn/Ag3.0/Cu0.5

Total test time: 6 minutes

## Test Equipment

**(L/Q):** HP4286A / HP4287A / Agilent E4991A

**(SRF):** HP8753D / Agilent E4991

**(RDC):** Chen Hwa 502BC

**Irms:** HP4284A + HP42841A / HP4285A + HP42841A

## Physical

**Packaging:** 2000 pieces per 7 inch reel.

**Marking:** Single Dot Color Code System

Allied Part Number	Inductance (nH)	Tolerance (%)	Test Freq. (MHz)	Q Min.	Test Freq. (MHz)	SRF Min. (MHz)	DCR Max. (Ω)	Rated Current (mA)
CC05-2N8K-RC	2.8	10	250	80	1500	7900	0.06	800
CC05-3N0K-RC	3.0	10	250	65	1500	7900	0.06	800
CC05-3N3K-RC	3.3	10	250	50	1500	7900	0.08	600
CC05-5N6K-RC	5.6	10	250	65	1000	5500	0.08	600
CC05-6N8K-RC	6.8	10	250	50	1000	5500	0.11	600
CC05-7N5K-RC	7.5	10	250	50	1000	4500	0.14	600
CC05-8N2K-RC	8.2	10	250	50	1000	4700	0.12	600
CC05-10NK-RC	10	10	250	60	500	4200	0.10	600
CC05-12NK-RC	12	10	250	50	500	4000	0.15	600
CC05-15NJ-RC	15	5	250	50	500	3400	0.17	600
CC05-18NJ-RC	18	5	250	50	500	3300	0.20	600
CC05-22NJ-RC	22	5	250	55	500	2600	0.22	500
CC05-24NJ-RC	24	5	250	50	500	2000	0.22	500
CC05-27NJ-RC	27	5	250	55	500	2500	0.25	500
CC05-33NJ-RC	33	5	250	60	500	2050	0.27	500
CC05-36NJ-RC	36	5	250	55	500	1700	0.27	500
CC05-39NJ-RC	39	5	250	60	500	2000	0.29	500
CC05-43NJ-RC	43	5	200	60	500	1650	0.34	500
CC05-47NJ-RC	47	5	200	60	500	1650	0.31	500
CC05-56NJ-RC	56	5	200	60	500	1550	0.34	500
CC05-68NJ-RC	68	5	200	60	500	1450	0.38	500
CC05-82NJ-RC	82	5	150	65	500	1300	0.42	400
CC05-91NJ-RC	91	5	150	65	500	1200	0.48	400
CC05-100NJ-RC	100	5	150	65	500	1200	0.46	400
CC05-110NJ-RC	110	5	150	50	250	1000	0.48	400
CC05-120NJ-RC	120	5	150	50	250	1100	0.51	400
CC05-150NJ-RC	150	5	100	50	250	920	0.56	400
CC05-180NJ-RC	180	5	100	50	250	870	0.64	400
CC05-200NJ-RC	200	5	100	50	250	860	0.68	400
CC05-220NJ-RC	220	5	100	50	250	850	0.70	400
CC05-240NJ-RC	240	5	100	44	250	690	1.00	350
CC05-250NJ-RC	250	5	100	45	250	660	1.20	350
CC05-270NJ-RC	270	5	100	48	250	650	1.00	350
CC05-330NJ-RC	330	5	100	48	250	600	1.40	310
CC05-390NJ-RC	390	5	100	48	250	560	1.50	290
CC05-470NJ-RC	470	5	50	33	100	375	1.76	250
CC05-560NJ-RC	560	5	25	23	50	340	1.90	230
CC05-620NJ-RC	620	5	25	23	50	220	2.20	210
CC05-680NJ-RC	680	5	25	23	50	188	2.20	190
CC05-820NJ-RC	820	5	25	23	50	215	2.35	180
CC05-1000NJ-RC	1000	5	25	20	50	100	2.50	170

Available in tighter tolerances.

All specifications subject to change without notice.