

Stealth Microwave's **SM2527-50** is a 2.5 to 2.7 GHz Solid State GaAs amplifier designed for the Multichannel Multipoint Distribution System (MMDS) market. The unit uses the latest FET and surface mount technologies, allowing a compact size to fit into tightly packed transmitters. The output power at P1dB is +50 dBm (minimum over temperature), the OIP3 is +61 dBm, and the Gain at 100 Watts is 59 dB. It is available in modular form (standard), or as a rack mountable amplifier.



Features

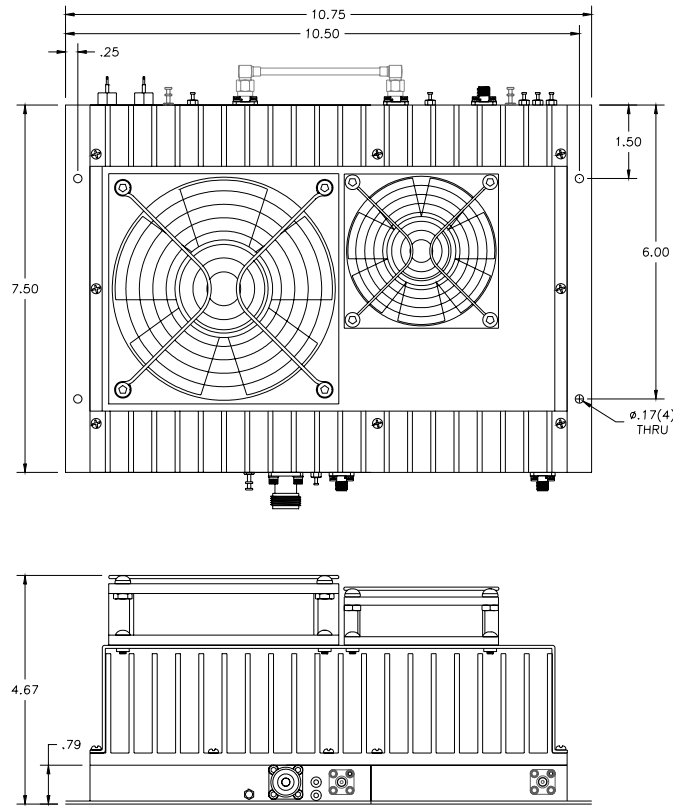
- Single Power Supply
- Over/Reverse Voltage Protection
- Thermal Protection with Auto Reset

Options

- Forward/Reverse Power Detection
- RF Sampling
- Logic On/Off Control
- Integral Heatsink with two cooling fans

Parameter	Specification
Frequency Range	2.5 - 2.7 GHz
Pout (P1dB) - 0° to 55°C	+50 dBm
Third Order Intercept Point	+61 dBm (typ.)
Gain at Rated Power	59 dB ± 1 dB
Gain Flatness over Full Band	± .5 dB
Input/Output Return Loss	-14 dB / -14 dB
DC Input Voltage	+12 Volts
DC Input Current, typ.	31 Amps
Mechanical Dimensions	w/cover/heatsink/fans: 10.75 x 7.5 x 4.7 inches
RF Connectors	SMA Female
Operating Temperature	0°C to +55°C
Operating Humidity	95% Non-condensing
Operating Altitude	Up to 10,000 feet above Sea Level

DIMENSIONS IN INCHES



Pin	Description	Values
RF Input	Input Connector (SMA Female)	-9 dBm typ.
RF Output	Output Connector (N-Type Female)	+ 50 dBm @ P1dB
GND	Ground Turret	---
+10 VDC	DC Input Voltage	+ 12 Volts @ 1.9 Amps
On/Off	TTL Logic On/Off	0 Volts = Off, +5 Volts = On

Specifications subject to change without notice.