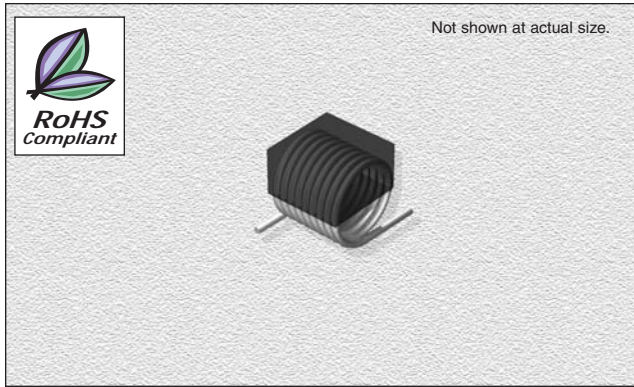


CT1812SMSF Series

From 22 nH to 120 nH



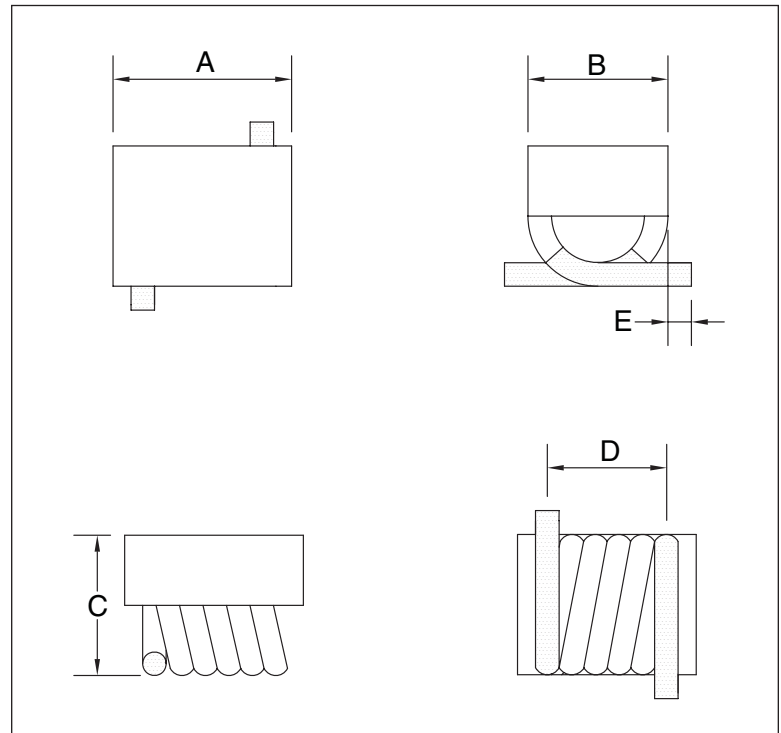
SPECIFICATIONS

Part numbers indicate available tolerance.
J = ±5%, K = ±10%

Part Number	Inductance (nH)	Q Min.	Test Freq. (MHz)	SRF Min. (MHz)	DCR Typ. (mΩ)	IDC Max. (A)
CT1812SMSF-22NK	22	100	150	3.20	4.7	3.2
CT1812SMSF-27NK	27	100	150	2.70	4.4	3.5
CT1812SMSF-33NK	33	100	150	2.50	5.7	3.0
CT1812SMSF-39NJ	39	100	150	2.10	5.4	2.8
CT1812SMSF-47NJ	47	100	150	2.10	6.7	2.8
CT1812SMSF-56NJ	56	100	150	1.50	6.3	2.9
CT1812SMSF-68NJ	68	100	150	1.50	7.8	2.9
CT1812SMSF-82NJ	82	100	150	1.30	8.7	2.6
CT1812SMSF-R10J	100	100	150	1.20	9.8	2.5
CT1812SMSF-R12J	120	100	150	1.10	10.7	2.2

PHYSICAL DIMENSIONS

Size	A	B	C	D	E
mm	4.9±0.3	3.9±0.3	3.8±0.3	4.3±0.4	1.0±0.3
inches	0.193±0.012	0.153±0.012	0.150±0.012	0.169±0.016	0.039±0.012



CHARACTERISTICS

Description: SMD air core inductor

Applications: Pagers, Cordless phones, High frequency communication products, Intercom, CATV.

Inductance Tolerance: ±5%, ±10%

Testing: Inductance is tested on an HP4287A at 150MHz

Operating Temperature: -40°C to +85°C

Packaging: Tape & Reel

Miscellaneous: RoHS Compliant.

Additional Information: Additional electrical & physical information available upon request

Samples available. See website for ordering information.

12.04.08