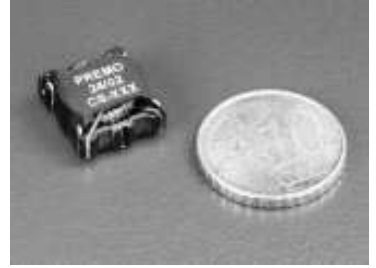


CS Series

SMD Current Transformer Up to 15A

Features

- Designed for switching power supply applications.
- Low profile and self leaded, surface mount.
- UL94-V0 Plastic material.
- Taped & Reeled according to EIA 481.
- Less than 8mm height.
- Up to 15 Arms primary current.
- Storage temperature -30° to 130° C.
- Operating temperature from -20° to 105° C.



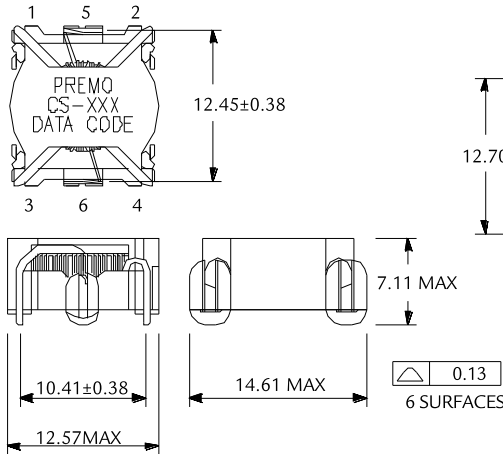
Product List

| Part Number | Ip (Arms) | RB (Ω) | Ls (mH Min) | Sec Rcu (Ω Max) | Turns (Ns) |
|-------------|-----------|--------|-------------|-----------------|------------|
| CS - 050 | 15 | 25 | 4.6 | 0.3 | 50 |
| CS - 100 | 15 | 50 | 18.5 | 0.8 | 100 |
| CS - 200 | 15 | 100 | 74* | 2.8 | 200 |

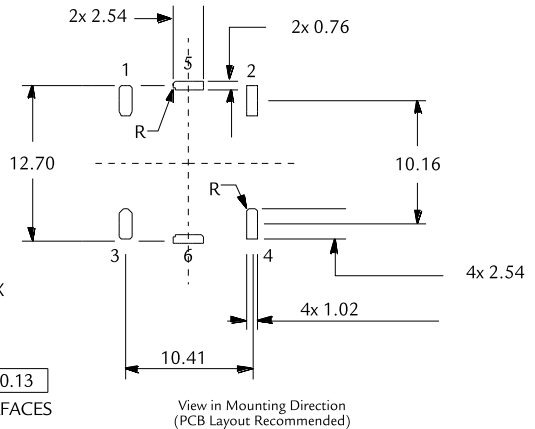
Notes:

- Inductance is mesured at 100 KHz, 20 mVrms. *10 KHz, 60 mVrms.
- Hipot is 500 Vrms, measured at 50 Hz, 2 seconds.
- I, Rt are reference values only.
- Reference values are for the one turn winding connected in parallel for unipolar operation at 200 KHz.

Dimensions



Footprint



Schematics

