

SPECIFICATION FOR APPROVAL

Product Name	Linear Adaptors	Page	1
Superworld Part No:	WS Series	Rev No	A

Features

- 1.Ergonomic Design
- 2.Region Specific Modeles
- 3.High Qquality Control
- 4.AC/AC , AC/DC unregulated models
- 5.Type Wall - Mount
- 6.Electrical Characteristics : AT 25 deg
- 7.Operation Temperature : 0 deg ~ 40 deg
- 8.Storage Temperature : - 40 deg ~ 80 deg
- 9.Power AC~AC 0.15VA to 1.8VA
AC~DC 0.15VA to 1.5VA



Safetys

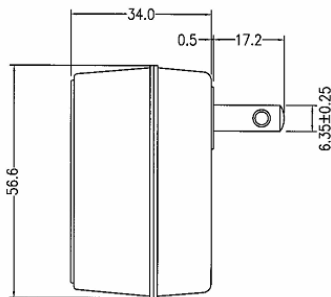
- 1.Regions: Japan - PSE,USA - UL/CUL
- 2.Standards:UL1310,CSA22.2,

Applications

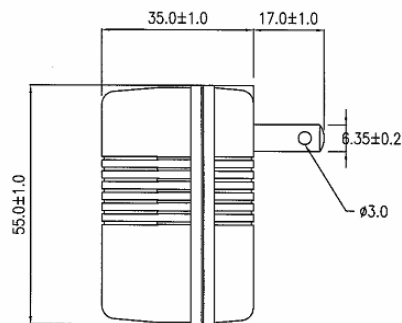
- 1.Low Energy AC/DC Power Supply .
- 2.IT Equipment .
- 3.Chargers .

Input (Region Specific)	
America	120VAC / 60Hz
Japan	100VAC / 50/60Hz

Dimensions for reference :



IP-A



IP-A



SPECIFICATION FOR APPROVAL

Product Name	Linear Adaptors	Page	2
Superworld Part No:	WS Series	Rev No	A

Electrical Characteristics :

MODEL	OUTPUT			SAFETY APPROVAL	
	VOLTAGE (V)	CURRENT (mA)	POWER (VA)	AC	DC
WS030050	3.0	50	0.150	4	A 4
WS030100		100	0.300	4	A B 4
WS030200		200	0.600	4	A B C 4
WS030300		300	0.900	4	4
WS030400		400	1.200	4	4
WS030500		500	1.500	4	4
WS045050		4.5	50	0.225	4
WS045100	100		0.450	4	A 4
WS045120	120		0.540	A 4	4
WS045200	200		0.900	4	4
WS045300	300		1.350	4	4
WS045400	400		1.800	4	4
WS060050	6.0		50	0.300	4
WS060100		100	0.600	A 4	A 4
WS060200		200	1.200	4	A 4
WS060300		300	1.800	4	4
WS075100	7.5	100	0.750	4	A B 4
WS075200		200	1.500	4	4
WS085060	8.5	60	0.510	4	A 4
WS090050	9.0	50	0.450	4	A 4
WS090075		75	0.675	4	A 4
WS090100		100	0.900	A B C 4	A B 4
WS090150		150	1.350	A C 4	A B C 4
WS120050		12.0	50	0.600	4
WS140050	14.0	50	0.700	4	A 4

UL : A CSA : B CUL : C CE : 4



SUPERWORLD ELECTRONICS (S) PTE LTD