

KTE2000...CS Series

OEM submersible level sensors

FEATURES

- 0...50 to 0...200 mbar
(approx. 0...1.67 to 0...6.70 ft H₂O)
- Capacitive ceramic pressure cells
- For corrosive media
- 4...20 mA output
- High overpressure resistance

MEDIA COMPATIBILITY

Wetted materials:

Ceramic Al₂O₃, stainless steel 1Cr18Ni9Ti,
NBR, Viton, PE (PUR)

Housing:

protection class IP 68 (according to DIN EN 60529)
respectively NEMA 6P¹



SPECIFICATIONS⁶

Maximum ratings

Supply voltage² 12...30 V

Temperature limits

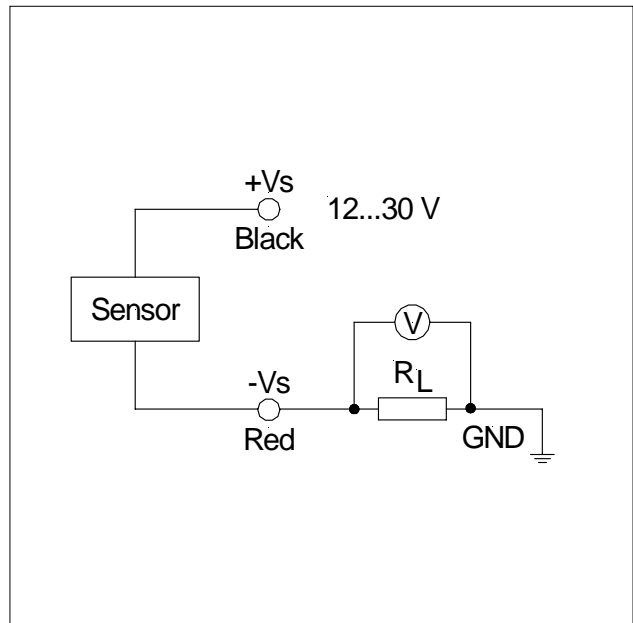
Storage -30...85 °C

Operating -30...80 °C

Compensated -30...70 °C

Proof pressure³ 10 x rated pressure

ELECTRICAL CONNECTION



KTE2000...CS Series

OEM submersible level sensors

INDIVIDUAL PERFORMANCE CHARACTERISTICS

Characteristics		Min.	Typ.	Max.	Unit
Operating pressure	KTEM2050...	0		50	mbar
	KTEM2100...	0		100	
	KTEM2200...	0		200	
Zero pressure offset			4.0		mA
Full scale span			16.0		
Thermal effects ⁴	-20...70 °C		±0.015		%FSO/°C
	-20...-30 °C		±0.02		
Accuracy ⁵				±0.75	%FSO
Long term stability			±0.1		%FSO/year
Vibration (200 Hz/g)			±0.01		%FSO

LOAD LIMITATION²

$$R_{\max} = \frac{V_s - 12\text{ V}}{0.02\text{ A}}$$

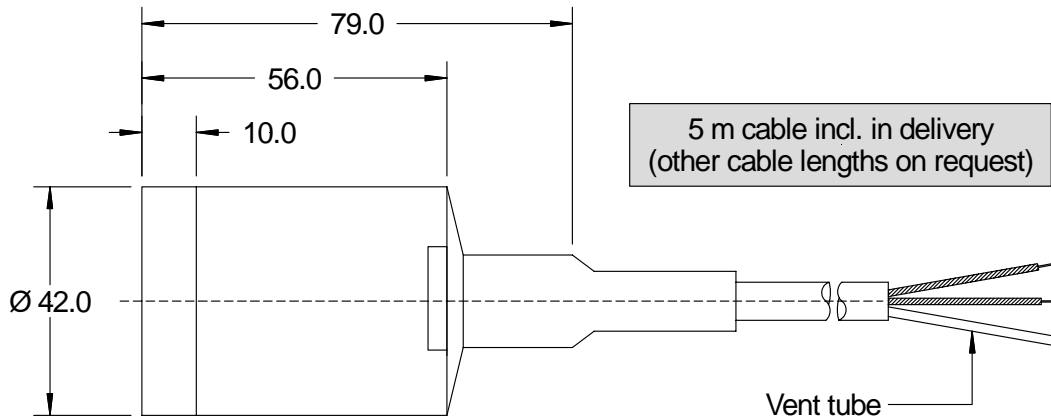
Specification notes:

1. The package is an all-sealed housing. For proper function the gage port is vented to the atmosphere through the connecting cable. Thus the vent tube of the cable end must have access to the ambient pressure.
2. The minimum supply voltage is directly proportional to the load resistance seen by the transmitter.
3. Proof pressure is the maximum pressure which may be applied without causing damage to the sensing element.
4. All specifications shown are relative to 25°C.
5. Accuracy is the combined error from offset and span calibration, linearity, hysteresis and repeatability. Linearity is the measured deviation based on a straight line. Hysteresis is the maximum output difference at any point within the operating pressure range for increasing and decreasing pressure. Calibration errors include the deviation of offset and full scale from nominal values.
6. The pressure transmitters must not be used as safety accessories according to article 1, 2.1.3 of the directive 97/23/EC.

KTE2000...CS Series

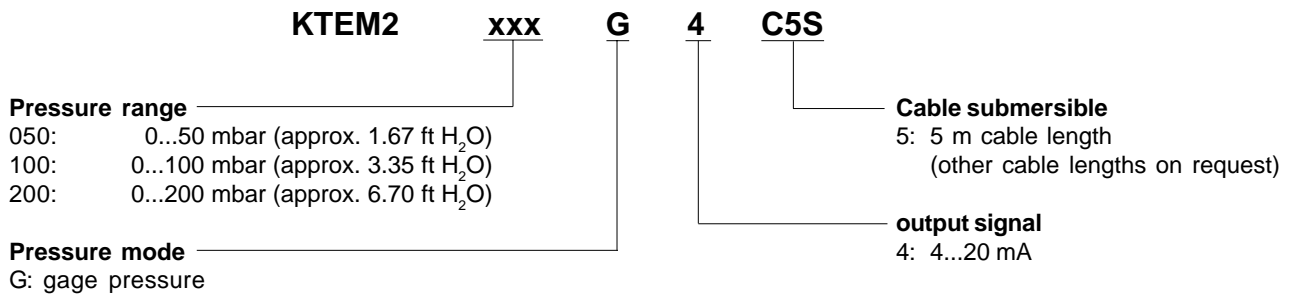
OEM submersible level sensors

OUTLINE DRAWING



dimensions in mm

ORDERING INFORMATION



Note: Other pressure ranges and calibrations (e.g. psi, inch H₂O, cm H₂O) are available on request. Please contact your nearest Sensortech sales representative.

Sensortech reserves the right to make changes to any products herein. Sensortech does not assume any liability arising out of the application or use of any product or circuit described herein, neither does it convey any license under its patent rights nor the rights of others.