

# EM2742 Series

## Euro-Mag Terminal Blocks

Screwless; 2.54 Centers

### SPECIFICATIONS

**Rating:** 6A, 63V EM274210H  
**Center Spacing:** .100" (25.4)  
**Wire Range:** #20-26 AWG  
**Housing Material:** UL rated 94V0 Thermoplastic  
**Contact Material:** Tin Plated Brass  
**Spring Material:** Stainless Steel  
**Operating Temperature:** 105°C (221°F) max., -40°C (-40°F) min.  
**Recommended PCB Hole Diameters:** .051" (1.30)  
**Construction:** Mold to Length  
**Agency Information:** UL/CSA; CE Certified

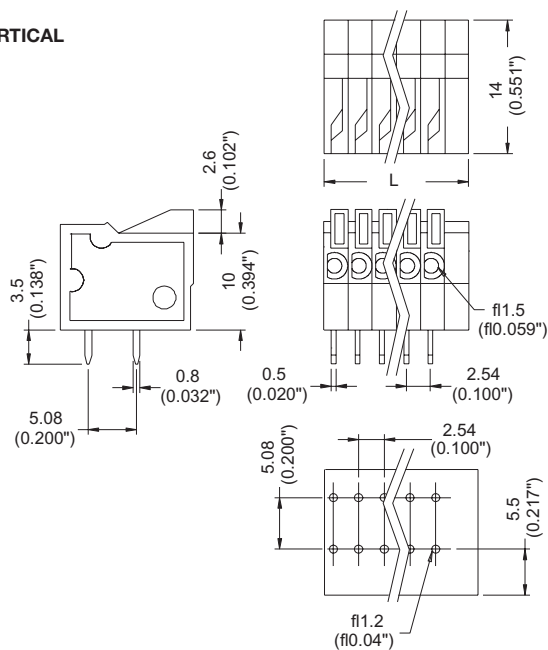
TABLE A

| Poles | L (mm) | Poles | L (mm) |
|-------|--------|-------|--------|
| 2     | 8.08   | 10    | 30.94  |
| 3     | 10.62  | 11    | 33.48  |
| 4     | 13.16  | 12    | 36.02  |
| 5     | 15.70  | 13    | 38.56  |
| 6     | 18.24  | 14    | 41.10  |
| 7     | 33.48  | 15    | 43.64  |
| 8     | 30.94  | 16    | 46.18  |
| 9     | 28.40  |       |        |

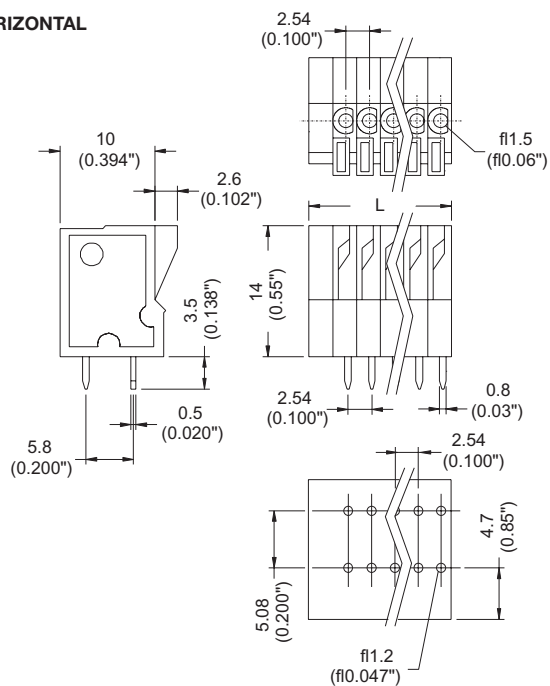
To convert to inches, divide by 25.4

EM274206V

VERTICAL



HORIZONTAL



### Part Numbering System

Series

EM2742

# of Poles

□ □

02 to 16

Orientation

□

H - horizontal  
V - vertical

## EM2783 Series Euro-Mag Terminal Blocks

45° Entry; Screwless; 3.50 Centers

### SPECIFICATIONS

**Rating:** 2A, 300V

**Center Spacing:** .136" (3.50)

**Wire Range:** #16-20 AWG

**Housing Material:** UL rated 94V0 Thermoplastic

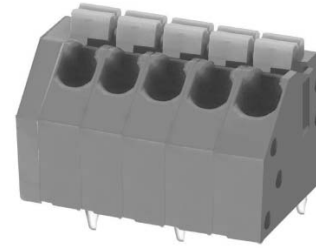
**Contact Material:** Tin Plated Phos Bronze

**Operating Temperature:** 105°C (221°F) max., -40°C (-40°F) min.

**Recommended PCB Hole Diameters:** .051" (1.30)

**Construction:** Mold to Length

**Agency Information:** UL/CSA; CE Certified



EM278305

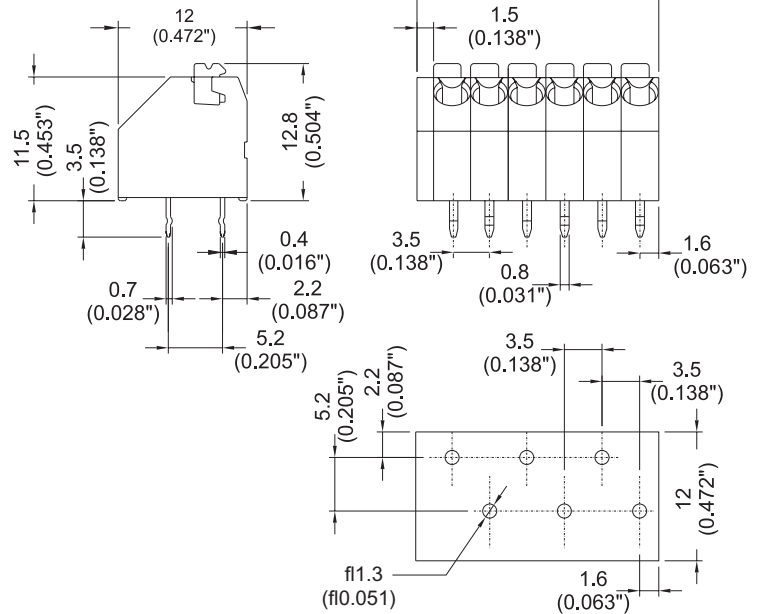
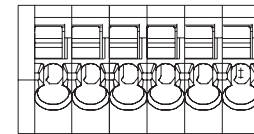


TABLE A

| Poles | L (mm) |
|-------|--------|
| 2     | 8.50   |
| 4     | 15.50  |
| 6     | 22.50  |
| 8     | 29.50  |
| 10    | 36.50  |
| 12    | 43.50  |
| 14    | 50.50  |
| 16    | 57.50  |
| 18    | 64.50  |
| 20    | 71.50  |
| 22    | 78.50  |
| 24    | 92.50  |

To convert to inches, divide by 25.4

## Part Numbering System

Series

EM2783

# of Poles

02 to 24

## EM2802 Series Euro-Mag Terminal Blocks

30° Entry; Screwless; 2.54 Centers

### SPECIFICATIONS

**Rating:** 4A, 125V

**Center Spacing:** .100" (2.54 mm)

**Wire Range:** #20-24 AWG

**Housing Material:** Gray Polyamide Type 6/6, 94V0

**Contact Material:** Tin Plated Brass

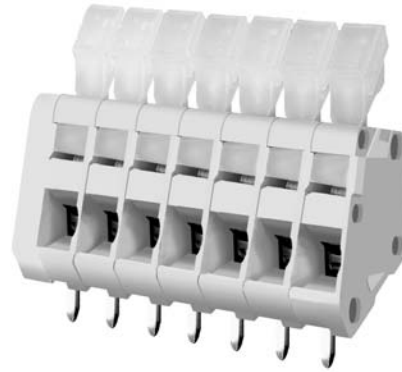
**Spring Material:** Stainless Steel

**Operating Temperature:** 105°C (221°F) max., -40°C (-40°F) min.

**Recommended PCB Hole Diameters:** .051" (1.30)

**Construction:** Mold to Length

**Agency Information:** UL/CSA; CE Certified



Em280207

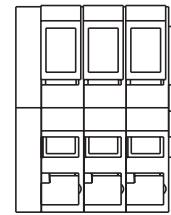
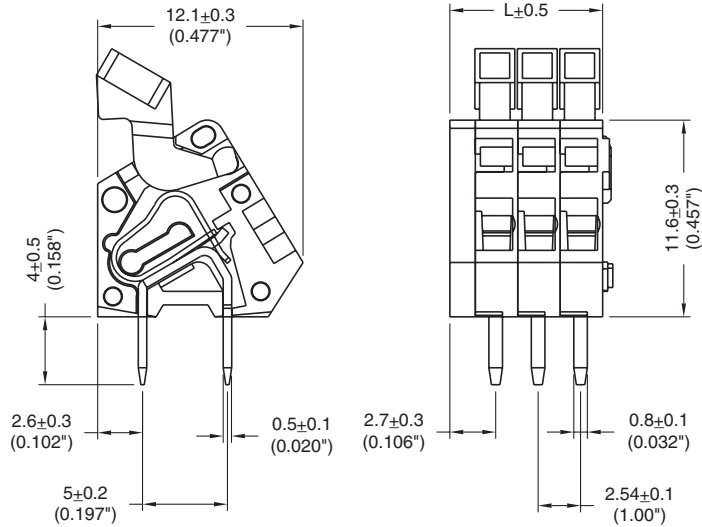


TABLE A

| Poles | L (mm) |
|-------|--------|
| 2     | 7.08   |
| 3     | 9.62   |
| 4     | 12.16  |
| 5     | 14.70  |
| 6     | 17.24  |
| 7     | 19.78  |
| 8     | 22.32  |
| 9     | 24.86  |
| 10    | 27.40  |
| 11    | 29.94  |
| 12    | 32.48  |

To convert to inches, divide by 25.4



## Part Numbering System

Series

EM2802

# of Poles

□ □

02 to 12

## EM2785 Series Euro-Mag Terminal Blocks

45° Entry; Screwless; Modular; 5.00 Centers

### SPECIFICATIONS

**Rating:** 7A, 300V

**Center Spacing:** .197" (5.00)

**Wire Range:** #16-22 AWG

**Housing Material:** UL rated 94V0 Thermoplastic

**Contact Material:** Tin Plated Brass

**Spring Material:** Stainless Steel

**Operating Temperature:** 105°C (221°F) max., -40°C (-40°F) min.

**Recommended PCB Hole Diameters:** .051" (1.30)

**Construction:** Modular design features dove-tails for interlocking to achieve longer lengths

**Agency Information:** UL/CSA Pending; CE Certified

EM278505

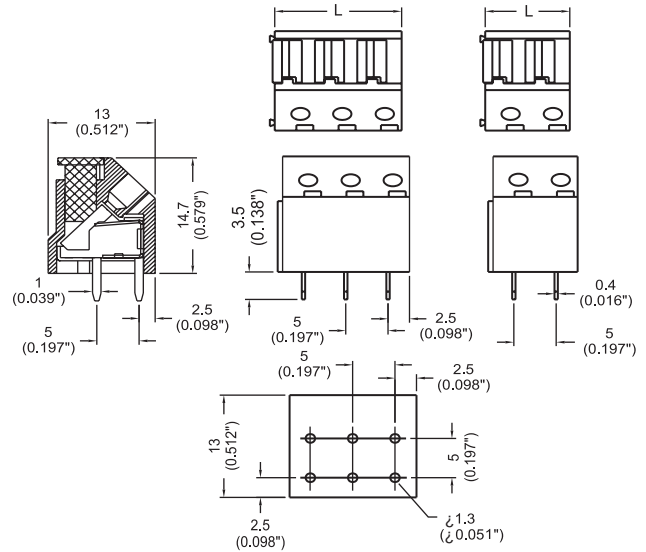


TABLE A

| Poles | L (mm) | Poles | L (mm) |
|-------|--------|-------|--------|
| 2     | 10.00  | 14    | 70.00  |
| 3     | 15.00  | 15    | 75.00  |
| 4     | 20.00  | 16    | 80.00  |
| 5     | 25.00  | 17    | 85.00  |
| 6     | 30.00  | 18    | 90.00  |
| 7     | 35.00  | 19    | 95.00  |
| 8     | 40.00  | 20    | 100.00 |
| 9     | 45.00  | 21    | 105.00 |
| 10    | 50.00  | 22    | 110.00 |
| 11    | 55.00  | 23    | 115.00 |
| 12    | 60.00  | 24    | 120.00 |
| 13    | 65.00  |       |        |

To convert to inches, divide by 25.4

## Part Numbering System

Series

EM2785

# of Poles

□□

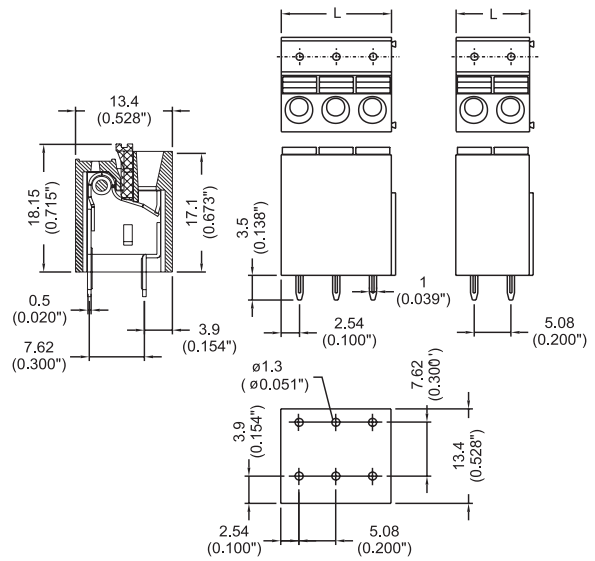
02 to 24

**EM2778 Series**  
**Euro-Mag Terminal Blocks**  
 Screwless, Modular, 5.08 Centers

**SPECIFICATIONS**

**Rating:** 10A, 250V  
**Center Spacing:** .200" (5.08)  
**Wire Size:** #14-24 AWG  
**Housing Material:** UL rated 94V0 Thermoplastic  
**Contact Material:** Tin Plated Brass  
**Operating Temperature:** 105°C (221°F) max., -40°C (-40°F) min.  
**Recommended PCB Hole Diameters:** .051" (1.30)  
**Construction:** Modular design features dove-tails for interlocking to achieve longer lengths  
**Agency Information:** UL/CSA Pending; CE Certified

EM277805



**TABLE A**

| Poles | L (mm) | Poles | L (mm) |
|-------|--------|-------|--------|
| 2     | 10.16  | 14    | 71.12  |
| 3     | 15.24  | 15    | 76.20  |
| 4     | 20.32  | 16    | 81.28  |
| 5     | 25.40  | 17    | 86.36  |
| 6     | 30.48  | 18    | 91.44  |
| 7     | 35.56  | 19    | 96.52  |
| 8     | 40.64  | 20    | 101.16 |
| 9     | 45.72  | 21    | 106.68 |
| 10    | 50.80  | 22    | 111.76 |
| 11    | 55.88  | 23    | 116.84 |
| 12    | 60.96  | 24    | 121.92 |
| 13    | 66.04  |       |        |

To convert to inches, divide by 25.4

**Part Numbering System**

Series

# of Poles

EM2778

□□

02 to 24

## EM2795 Series Euro-Mag Terminal Blocks

Screwless; 5.08 Centers

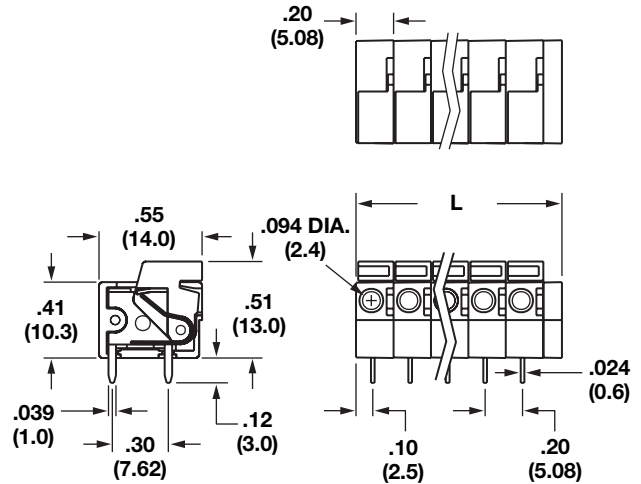
### SPECIFICATIONS

**Rating:** 10A, 300V  
**Center Spacing:** .200" (5.08)  
**Wire Range:** #14-24 AWG  
**Housing Material:** UL rated 94V0 Thermoplastic  
**Contact Material:** Tin Plated Brass  
**Operating Temperature:** 105°C (221°F) max., -40°C (-40°F) min.  
**Recommended PCB Hole Diameters:** .051" (1.30)  
**Construction:** Mold to Length  
**Agency Information:** UL/CSA; CE Certified

EM279507H

EM279502V

VERTICAL



HORIZONTAL

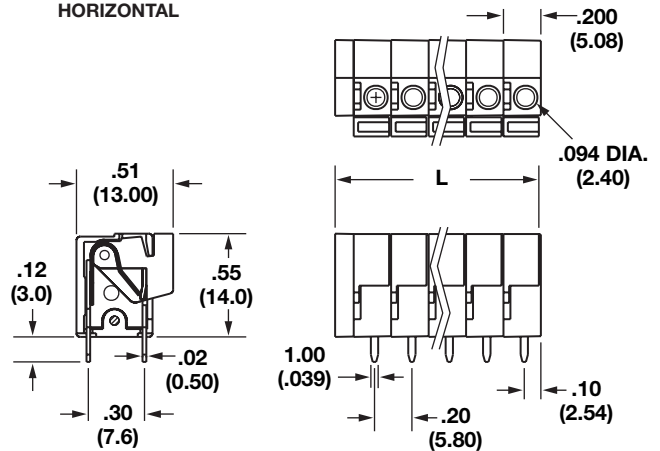


TABLE A

| Poles | L (mm) | Poles | L (mm) |
|-------|--------|-------|--------|
| 2     | 12.70  | 10    | 68.58  |
| 3     | 17.78  | 11    | 73.66  |
| 4     | 22.86  | 12    | 78.74  |
| 5     | 27.94  | 13    | 83.82  |
| 6     | 33.02  | 14    | 88.90  |
| 7     | 38.10  | 15    | 93.98  |
| 8     | 43.18  | 16    | 99.06  |
| 9     | 48.26  |       |        |

To convert to inches, divide by 25.4

### Part Numbering System

|        |   |                                |
|--------|---|--------------------------------|
| Series | # of Positions                            | Orientation                    |
| EM2795 | <input type="text"/> <input type="text"/> | <input type="checkbox"/>       |
|        | 02 to 16                                  | H - horizontal<br>V - vertical |

Euro-MAG Series  
Screwless

# EM2796 Series Euro-Mag Terminal Blocks

Screwless; 7.62 Centers

## SPECIFICATIONS

**Rating:** 10A, 300V

**Center Spacing:** .300" (7.62)

**Wire Range:** #14-24 AWG

**Housing Material:** UL rated 94V0 Thermoplastic

**Contact Material:** Tin Plated Brass

**Operating Temperature:** 105°C (221°F) max., -40°C (-40°F) min.

**Recommended PCB Hole Diameters:** .051" (1.30)

**Construction:** Mold to Length

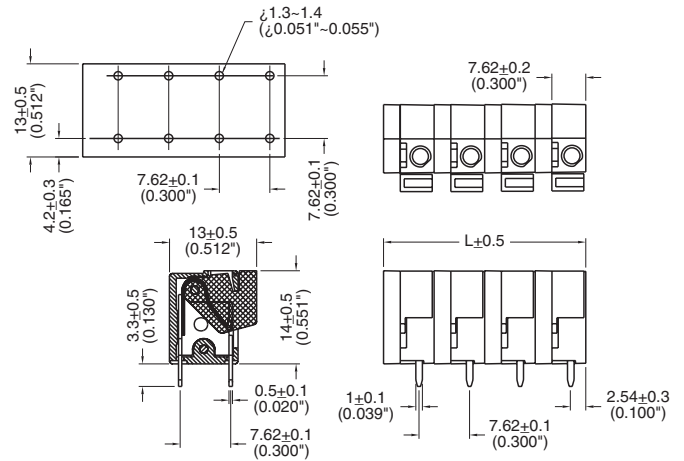
**Agency Information:** UL/CSA; CE Certified

EM279606V



EM279603H

### VERTICAL



### HORIZONTAL

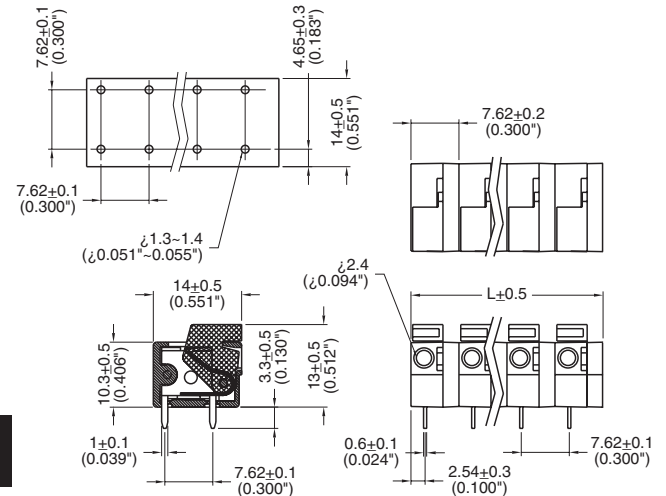


TABLE A

| Poles | L (mm) | Poles | L (mm) |
|-------|--------|-------|--------|
| 2     | 15.24  | 10    | 76.20  |
| 3     | 22.56  | 11    | 83.82  |
| 4     | 30.48  | 12    | 91.44  |
| 5     | 37.19  | 13    | 99.07  |
| 6     | 45.72  | 14    | 106.69 |
| 7     | 53.34  | 15    | 114.31 |
| 8     | 60.96  | 16    | 121.93 |
| 9     | 68.58  |       |        |

To convert to inches, divide by 25.4

## Part Numbering System

Series

EM2796

# of Poles

□□

02 to 16

Orientation

□

H - horizontal  
V - vertical

## EM2791 Series Euro-Mag Terminal Blocks

Screwless; 10.16 Centers

### SPECIFICATIONS

**Rating:** 10A, 300V

**Center Spacing:** .400" (10.16)

**Wire Range:** #14-24 AWG

**Housing Material:** UL rated 94V0 Thermoplastic

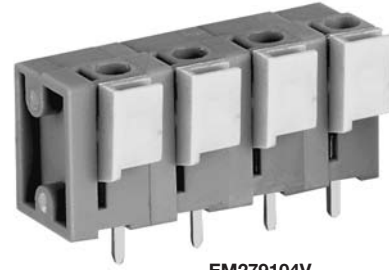
**Contact Material:** Tin Plated Brass

**Operating Temperature:** 105°C (221°F) max., -40°C (-40°F) min.

**Recommended PCB Hole Diameters:** .051" (1.30)

**Construction:** Mold to Length

**Agency Information:** UL/CSA; CE Certified



EM279104V

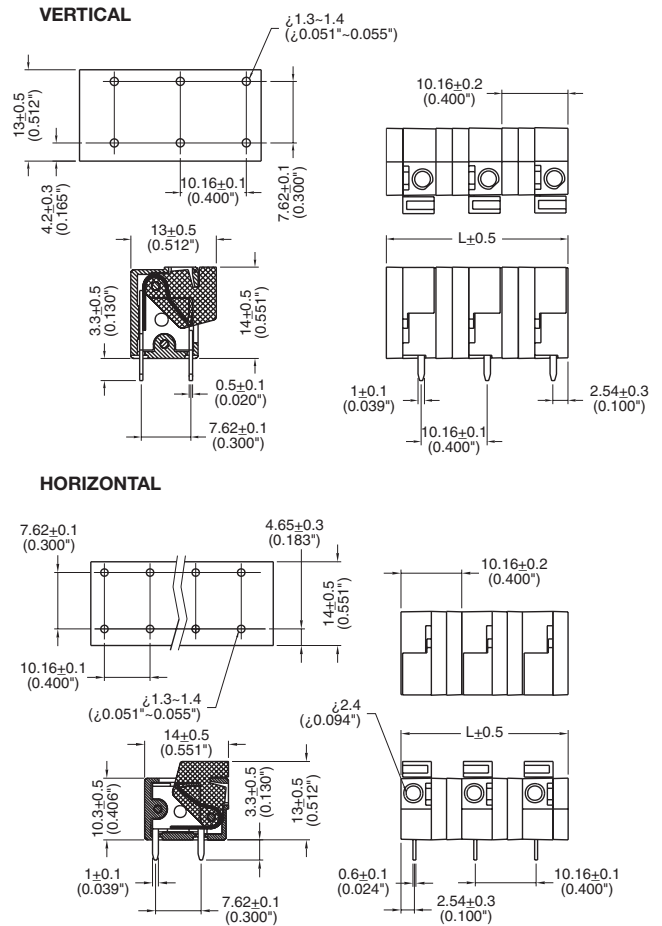


TABLE A

| Poles | L (mm) | Poles | L (mm) |
|-------|--------|-------|--------|
| 2     | 17.78  | 10    | 99.06  |
| 3     | 27.94  | 11    | 109.22 |
| 4     | 38.10  | 12    | 119.38 |
| 5     | 48.26  | 13    | 129.54 |
| 6     | 58.42  | 14    | 139.70 |
| 7     | 68.58  | 15    | 149.86 |
| 8     | 78.74  | 16    | 160.02 |
| 9     | 88.90  |       |        |

To convert to inches, divide by 25.4

## Part Numbering System

Series

EM2791

# of Poles

□□

02 to 16

Orientation

□

H - horizontal  
V - vertical



## EM2816 Series Euro-Mag Terminal Blocks

60° Entry; Screwless; 7.62 Centers

### SPECIFICATIONS

**Rating:** 10A, 300V

**Center Spacing:** .300" (7.62 mm)

**Wire Range:** #16-22 AWG

**Housing Material:** UL rated 94V0 Thermoplastic

**Contact Material:** Tin Plated Brass

**Spring Material:** Stainless Steel

**Operating Temperature:** 105°C (221°F) max., -40°C (-40°F) min.

**Recommended PCB Hole Diameters:** .051" (1.30)

**Construction:** Mold to Length

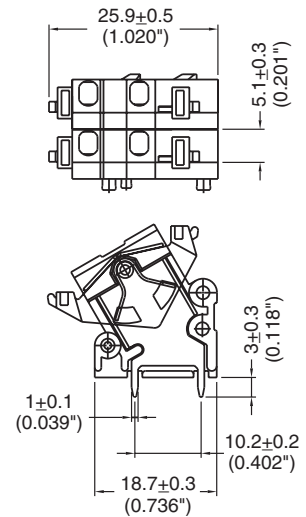
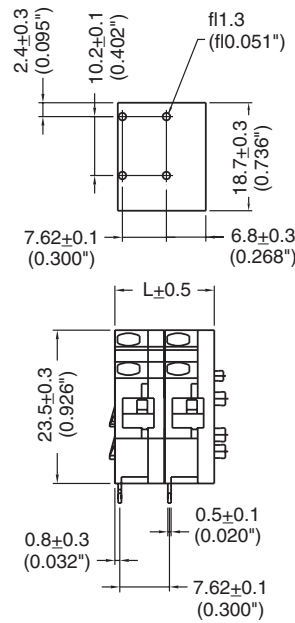
**Agency Information:** UL/CSA; CE Certified

EM281606

TABLE A

| Poles | L (mm) |
|-------|--------|
| 2     | 15.24  |
| 3     | 22.86  |
| 4     | 30.48  |
| 5     | 38.10  |
| 6     | 45.72  |
| 7     | 53.34  |
| 8     | 60.96  |
| 9     | 68.58  |
| 10    | 76.20  |
| 11    | 83.82  |
| 12    | 91.44  |

To convert to inches, divide by 25.4



Euro-MAG Series  
Screwless

## Part Numbering System

Series

# of Poles

EM2816

□□

02 to 12