

CTRJM Series

CHARACTERISTICS

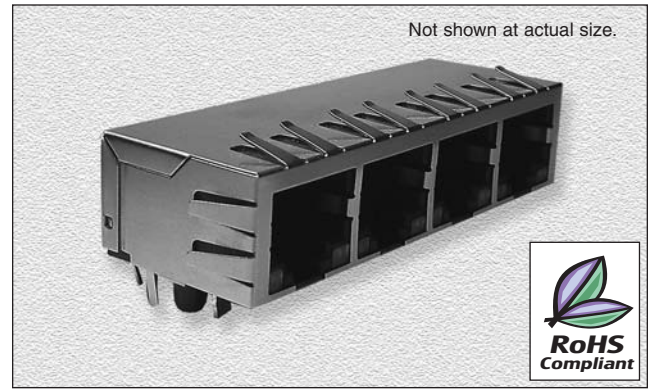
Options: 1x2, 1x4, 1x6 & 1x8 Port
 Meets or exceeds IEEE 802.3 standard for 10/100 Base-TX
 350 μ H minimum OCL with 8mA DC bias current
 Available with or without LEDs
 Minimum 1500Vrms isolation per IEEE 802.3 requirement
 Operating temperature 0°C to +70°C
 Storage temperature -40°C to +85°C

RoHS Compliant

Transformer electrical specifications @ 25°C

MATERIAL SPECIFICATION

Metal Shell: Copper Alloy , Finish: 50 μ " Nickel
Housing: Thermoplastic , UL 94V-0, Color Black
Insert: Thermoplastic , UL 94V-0, Color Black
 Contact Terminal / Phosphor Bronze, 15 μ " Gold on Contact Area,
 100 μ " Tin on Solder, Both over 50 μ ", Nickel Under-Plated
Coil Base: Phenolic/LCP, UL 94V-0, Color Black



PART NUMBER CONFIGURATION

Series	Size Code	Layers	Port (Each Layer)	LED (L/R)	Tab	Schematic
CTRJM	22 26	S = Single	1	N = None	N = N/A	0811A, 0812A 0826A, 0811B 0812B, 0826B 0812C, 0826C
			2	G = Green	D = Down	
			4	Y = Yellow	U = Up	
			6 8	O = Orange		

↓
↓
↓
↓
↓
↓
↓

CTRJM **26** **S** **1** **GY** **U** **1001A**

LED CONFIGURATION

Schematic	Standard LED	Wavelength (λ)	V / IF=20 mA		Image
			Max.	Typ.	
0811A 0812A 0826A	Yellow	585nm	2.5V	2.1V	Left LED: P9, P10 Right LED: P12, P11
	Green	570nm	2.5V	2.1V	
	Orange	605nm	2.5V	2.1V	
0811B 0812B 0826B	Yellow	585nm	2.5V	2.1V	Left LED: P9, P10 Right LED: P12, P11
	Green	570nm	2.5V	2.1V	
0812C 0826C	Yellow	585nm	2.5V	2.1V	Left LED: P12, P11 Right LED: P10, P9
	Green	570nm	2.5V	2.1V	
	Orange	605nm	2.5V	2.1V	

12.01.06

CTRJM Series

ORDERING INFO

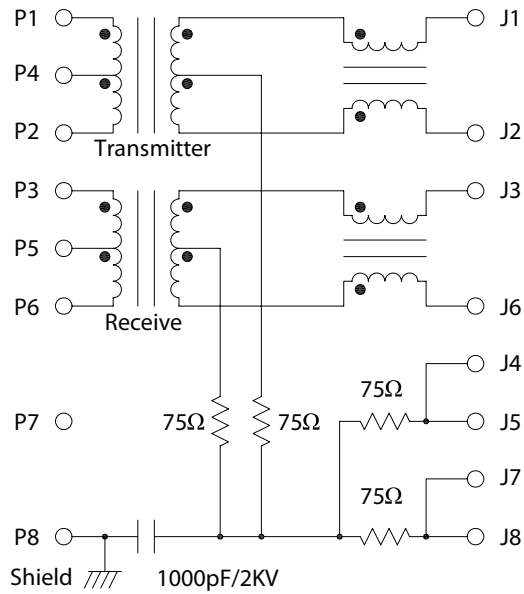
Part Number	Turns Ratio TX/RX	EMI Fingers	LEDs (L/R)	Insertion Loss (dB max.)	Return Loss 100Ω ± 15Ω (dB min.)					Cross Talk (dB min.)			C.M.R. (dB min)		Hi-pot (Vrms) 60HZ/1 min.
					1-100 MHz	1-30 MHz	1-60 MHz	60-80 MHz	80-100 MHz	1-30 MHz	1-60 MHz	30-60 MHz	60-100 MHz	1-60 MHz	
CTRJM22S1NND0811A	1CT:1CT	NO	N/N	-1.0	-18	-16	-12	-	-40	-	-35	-30	-40	-30	1500
CTRJM22S1GYD0811A	1CT:1CT	YES	G/Y	-1.0	-18	-16	-12	-	-40	-	-35	-30	-40	-30	1500
CTRJM22S1GGD0811A	1CT:1CT	YES	G/G	-1.0	-18	-16	-12	-	-40	-	-35	-30	-40	-30	1500
CTRJM22S1YGD0811A	1CT:1CT	YES	Y/G	-1.0	-18	-16	-12	-	-40	-	-35	-30	-40	-30	1500
CTRJM22S1NND0812A	1CT:1CT	NO	N/N	-1.0	-18	-16	-12	-	-40	-	-35	-30	-40	-30	1500
CTRJM22S1GYD0812A	1CT:1CT	YES	G/Y	-1.0	-18	-16	-12	-	-40	-	-35	-30	-40	-30	1500
CTRJM22S1GGD0812A	1CT:1CT	YES	G/G	-1.0	-18	-16	-12	-	-40	-	-35	-30	-40	-30	1500
CTRJM22S1YGD0812A	1CT:1CT	YES	Y/G	-1.0	-18	-16	-12	-	-40	-	-35	-30	-40	-30	1500
CTRJM22S1NND0826A	1CT:1CT	NO	N/N	-1.0	-18	-16	-12	-	-40	-	-35	-30	-40	-30	1500
CTRJM22S1GYD0826A	1CT:1CT	YES	G/Y	-1.0	-18	-16	-12	-	-40	-	-35	-30	-40	-30	1500
CTRJM22S1GGD0826A	1CT:1CT	YES	G/G	-1.0	-18	-16	-12	-	-40	-	-35	-30	-40	-30	1500
CTRJM22S1YGD0826A	1CT:1CT	YES	Y/G	-1.0	-18	-16	-12	-	-40	-	-35	-30	-40	-30	1500
CTRJM22S2NND0811B	1CT:1CT	YES	N/N	-1.0	-18	-16	-12	-10	-40	-35	-	-30	-40	-30	1500
CTRJM22S2GYD0811B	1CT:1CT	YES	G/Y	-1.0	-18	-16	-12	-10	-40	-35	-	-30	-40	-30	1500
CTRJM22S2NND0812B	1CT:1CT	YES	N/N	-1.0	-18	-16	-12	-10	-40	-35	-	-30	-40	-30	1500
CTRJM22S2GYD0812B	1CT:1CT	YES	G/Y	-1.0	-18	-16	-12	-10	-40	-35	-	-30	-40	-30	1500
CTRJM22S2NND0826B	1CT:1CT	YES	N/N	-1.0	-18	-16	-12	-10	-40	-35	-	-30	-40	-30	1500
CTRJM22S2GYD0826B	1CT:1CT	YES	G/Y	-1.0	-18	-16	-12	-10	-40	-35	-	-30	-40	-30	1500
CTRJM22S4NND0811B	1CT:1CT	YES	N/N	-1.0	-18	-16	-12	-10	-40	-35	-	-30	-40	-30	1500
CTRJM22S4GYD0811B	1CT:1CT	YES	G/Y	-1.0	-18	-16	-12	-10	-40	-35	-	-30	-40	-30	1500
CTRJM22S4NND0812B	1CT:1CT	YES	N/N	-1.0	-18	-16	-12	-10	-40	-35	-	-30	-40	-30	1500
CTRJM22S4GYD0812B	1CT:1CT	YES	G/Y	-1.0	-18	-16	-12	-10	-40	-35	-	-30	-40	-30	1500
CTRJM22S4NND0826B	1CT:1CT	YES	N/N	-1.0	-18	-16	-12	-10	-40	-35	-	-30	-40	-30	1500
CTRJM22S4GYD0826B	1CT:1CT	YES	G/Y	-1.0	-18	-16	-12	-10	-40	-35	-	-30	-40	-30	1500
CTRJM22S6NND0811B	1CT:1CT	YES	N/N	-1.0	-18	-16	-12	-10	-40	-35	-	-30	-40	-30	1500
CTRJM22S6GYD0811B	1CT:1CT	YES	G/Y	-1.0	-18	-16	-12	-10	-40	-35	-	-30	-40	-30	1500
CTRJM22S6NND0812B	1CT:1CT	YES	N/N	-1.0	-18	-16	-12	-10	-40	-35	-	-30	-40	-30	1500
CTRJM22S6GYD0812B	1CT:1CT	YES	G/Y	-1.0	-18	-16	-12	-10	-40	-35	-	-30	-40	-30	1500
CTRJM22S6NND0826B	1CT:1CT	YES	N/N	-1.0	-18	-16	-12	-10	-40	-35	-	-30	-40	-30	1500
CTRJM22S6GYD0826B	1CT:1CT	YES	G/Y	-1.0	-18	-16	-12	-10	-40	-35	-	-30	-40	-30	1500
CTRJM22S8NND0811B	1CT:1CT	YES	N/N	-1.0	-18	-16	-12	-10	-40	-35	-	-30	-40	-30	1500
CTRJM22S8GYD0811B	1CT:1CT	YES	G/Y	-1.0	-18	-16	-12	-10	-40	-35	-	-30	-40	-30	1500
CTRJM22S8NND0812B	1CT:1CT	YES	N/N	-1.0	-18	-16	-12	-10	-40	-35	-	-30	-40	-30	1500
CTRJM22S8GYD0812B	1CT:1CT	YES	G/Y	-1.0	-18	-16	-12	-10	-40	-35	-	-30	-40	-30	1500
CTRJM22S8NND0826B	1CT:1CT	YES	N/N	-1.0	-18	-16	-12	-10	-40	-35	-	-30	-40	-30	1500
CTRJM22S8GYD0826B	1CT:1CT	YES	G/Y	-1.0	-18	-16	-12	-10	-40	-35	-	-30	-40	-30	1500
CTRJM26S1NNU0812C	1CT:1CT	NO	N/N	-1.0	-18	-16	-12	-	-40	-	-35	-30	-40	-30	1500
CTRJM26S1GYU0812C	1CT:1CT	YES	G/Y	-1.0	-18	-16	-12	-	-40	-	-35	-30	-40	-30	1500
CTRJM26S1GGU0812C	1CT:1CT	YES	G/G	-1.0	-18	-16	-12	-	-40	-	-35	-30	-40	-30	1500
CTRJM26S1YGU0812C	1CT:1CT	YES	Y/G	-1.0	-18	-16	-12	-	-40	-	-35	-30	-40	-30	1500
CTRJM26S1NNU0826C	1CT:1CT	NO	N/N	-1.0	-18	-16	-12	-	-40	-	-35	-30	-40	-30	1500
CTRJM26S1GYU0826C	1CT:1CT	YES	G/Y	-1.0	-18	-16	-12	-	-40	-	-35	-30	-40	-30	1500
CTRJM26S1GGU0826C	1CT:1CT	YES	G/G	-1.0	-18	-16	-12	-	-40	-	-35	-30	-40	-30	1500
CTRJM26S1YGU0826C	1CT:1CT	YES	Y/G	-1.0	-18	-16	-12	-	-40	-	-35	-30	-40	-30	1500



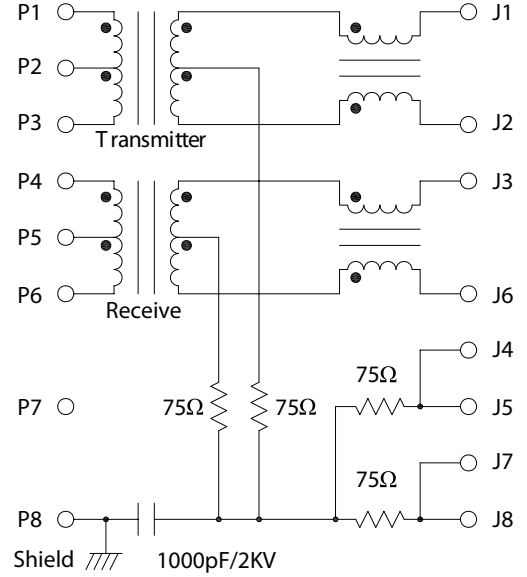
CTRJM Series

SCHEMATICS

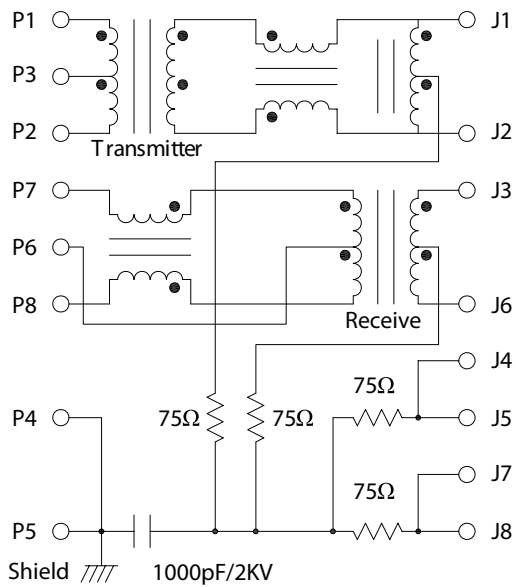
0811A



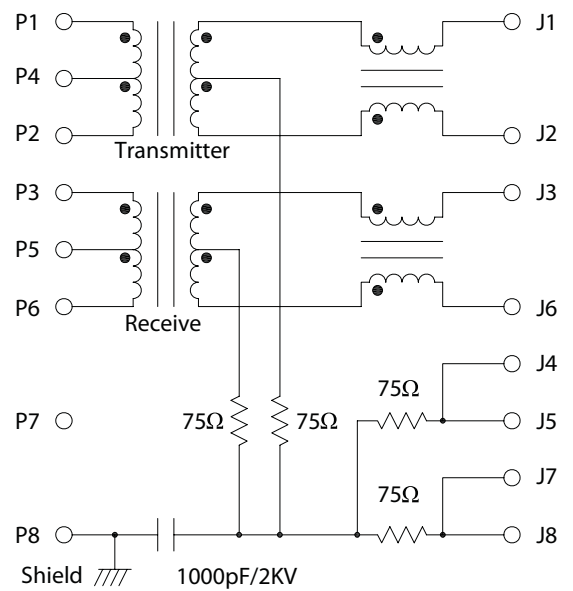
0812A



0826A



0811B

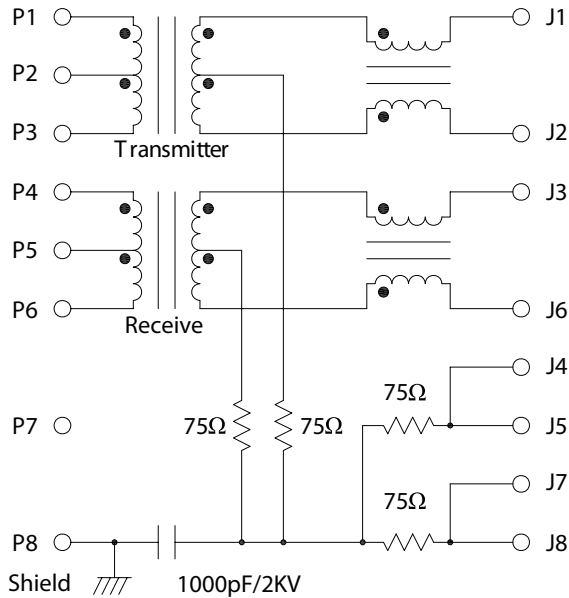


12.01.06

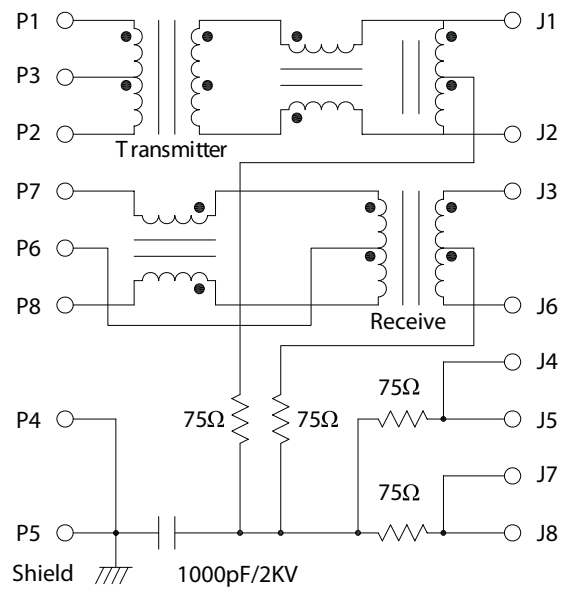
CTRJM Series

SCHEMATICS

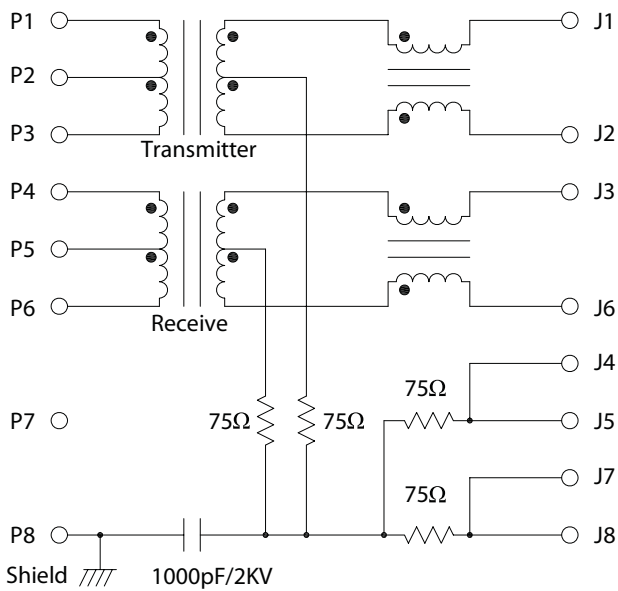
0812B



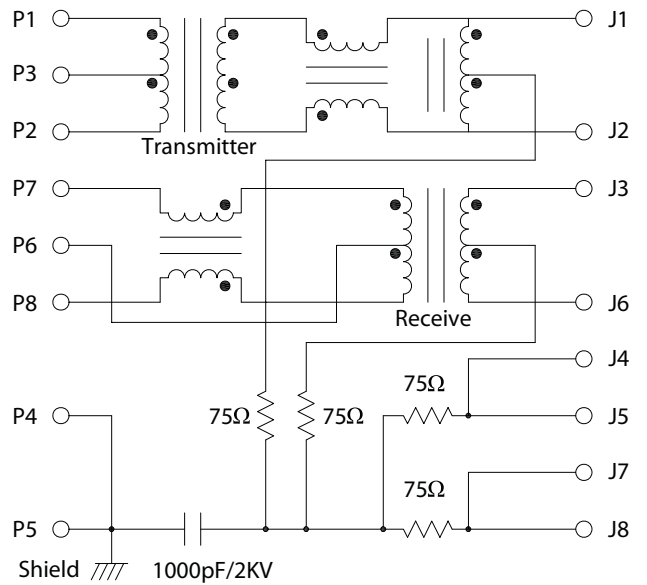
0826B



0812C



0826C

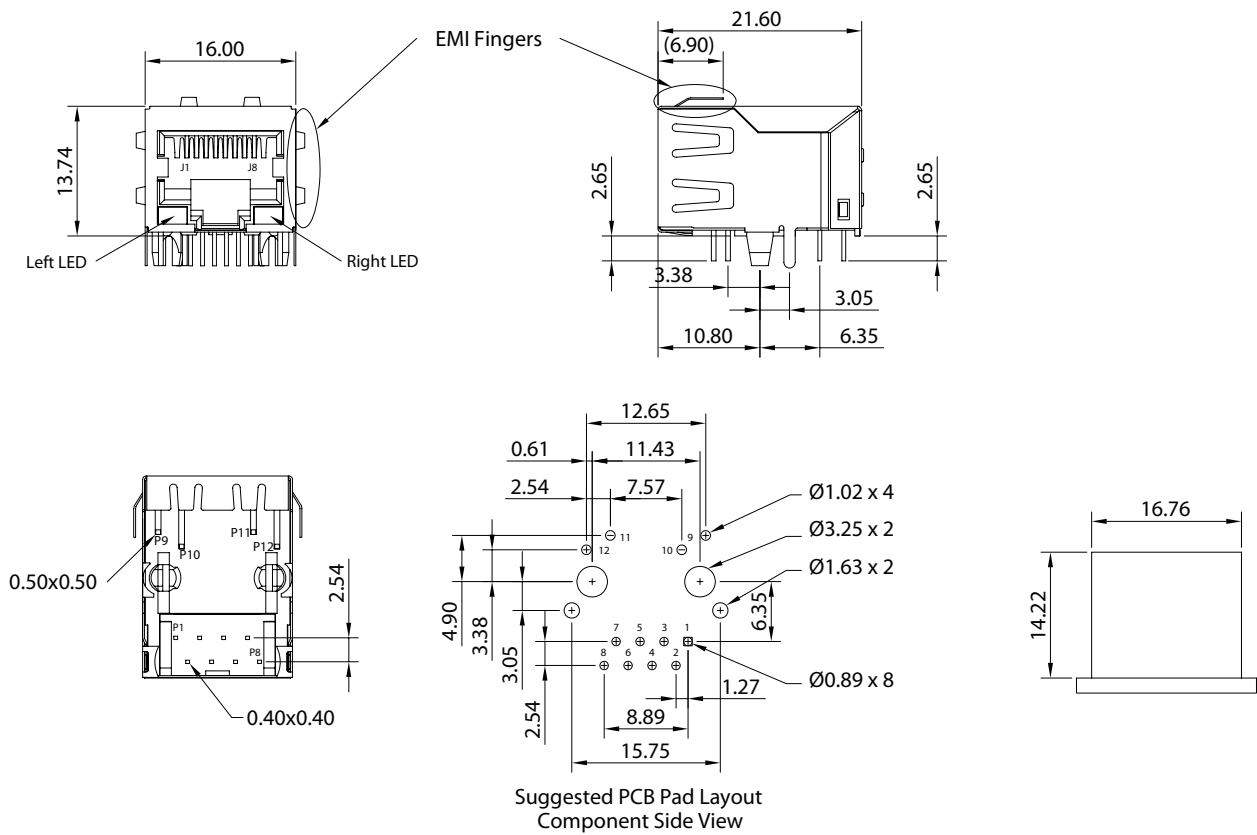


12.01.06

CTRJM Series

MECHANICAL

CTRJM22S1xxxxxxx



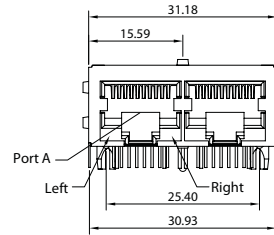
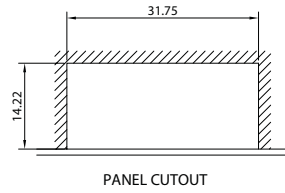
- NOTES : 1. Tolerance : PCB ± 0.05 mm
 Connector ± 0.25 mm
 2. Connector dimensions comply with FCC 68.5 dimension requirements

12.01.06

CTRJM Series

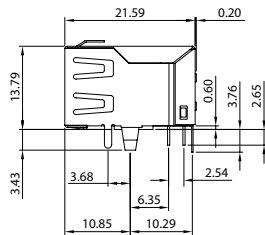
MECHANICAL

CTRJM22S2xxxxxxx

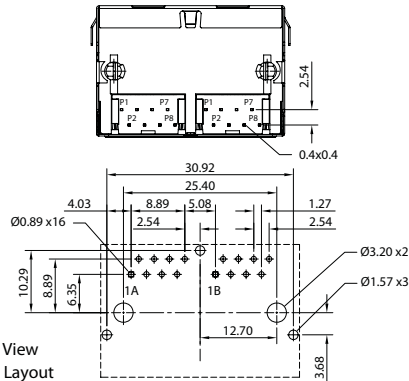


- NOTES : 1. Tolerance : PCB $\pm 0.05\text{mm}$
 Connector $\pm 0.25\text{mm}$
 2. Connector dimensions comply with FCC 68.5 dimension requirements

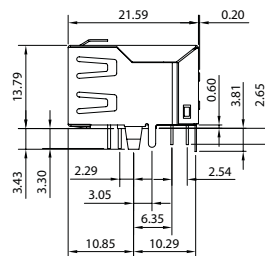
CTRJM22S2NNxxxxB



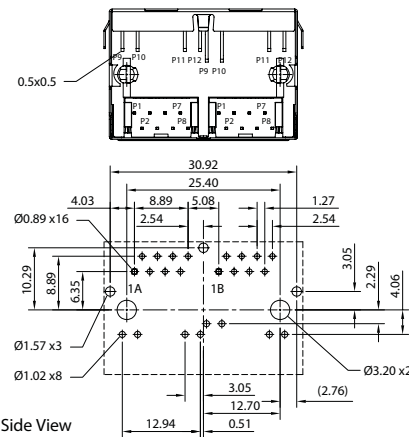
Component Side View
 Suggested PCB Pad Layout



CTRJM22S2GYxxxxB



Component Side View
 Suggested PCB Pad Layout

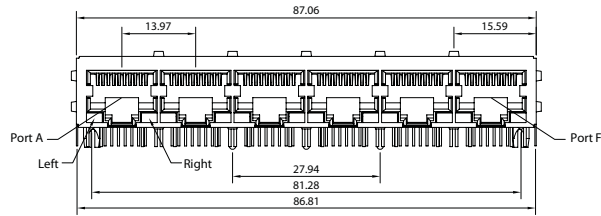
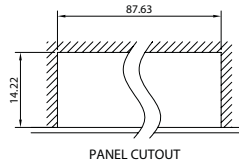


12.01.06

CTRJM Series

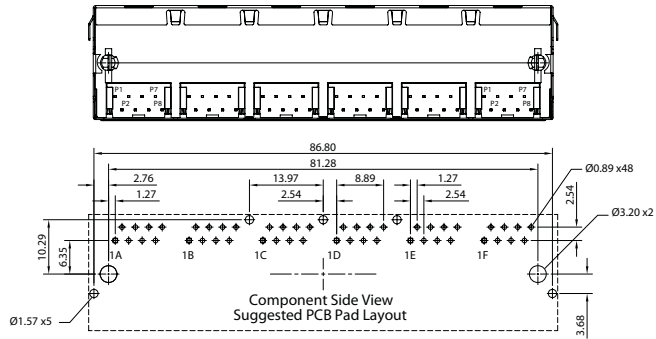
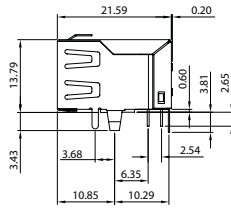
MECHANICAL

CTRJM22S6xxxxxx

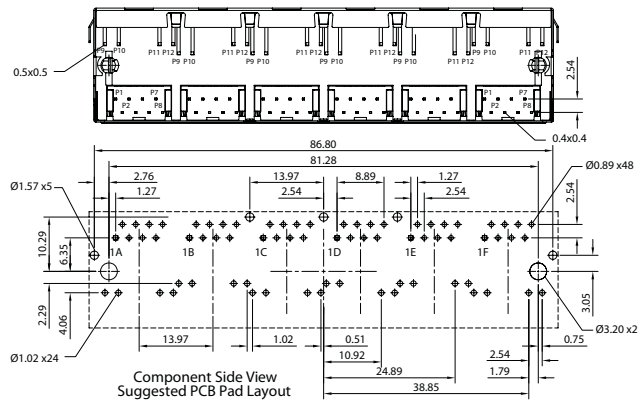
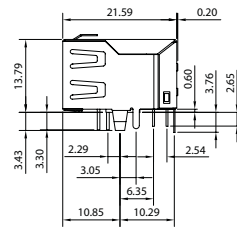


- NOTES : 1. Tolerance : PCB $\pm 0.05\text{mm}$
 Connector $\pm 0.25\text{mm}$
 2. Connector dimensions comply with FCC 68.5 dimension requirements

CTRJM22S6NNxxxxB



CTRJM22S6GYxxxxB

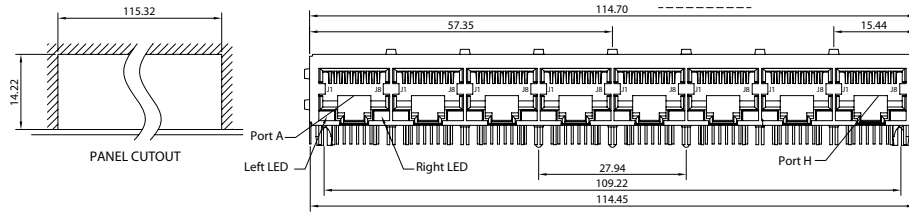


12.01.06

CTRJM Series

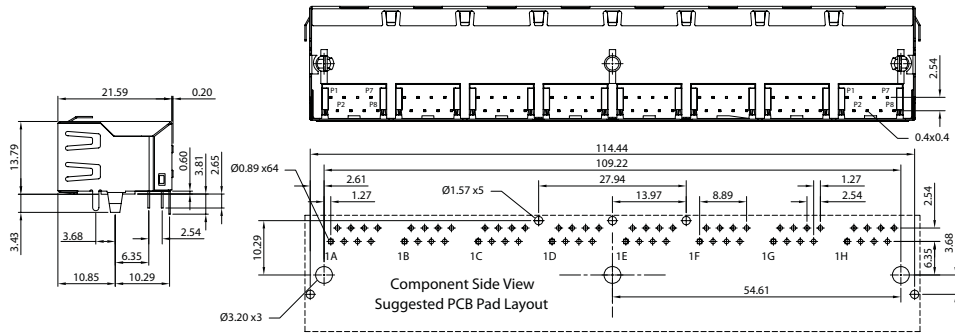
MECHANICAL

CTRJM22S8xxxxxx

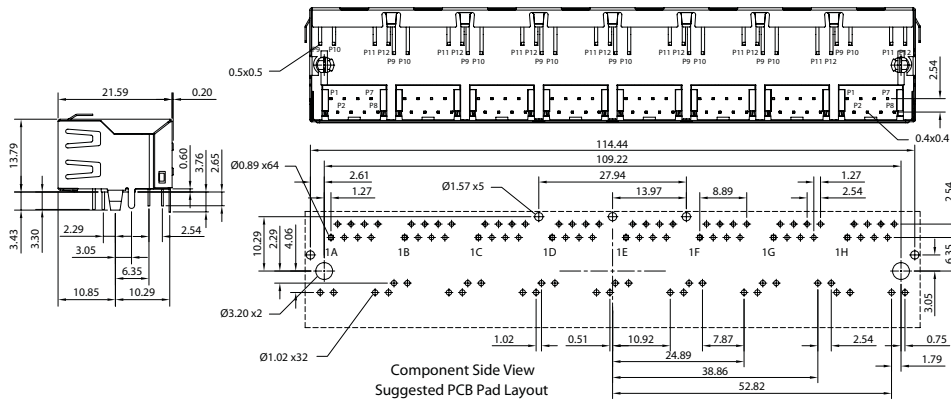


NOTES : 1. Tolerance : PCB $\pm 0.05\text{mm}$
 Connector $\pm 0.25\text{mm}$
 2. Connector dimensions comply with FCC 68.5 dimension requirements

CTRJM22S8NNxxxxB



CTRJM22S8GYxxxxB

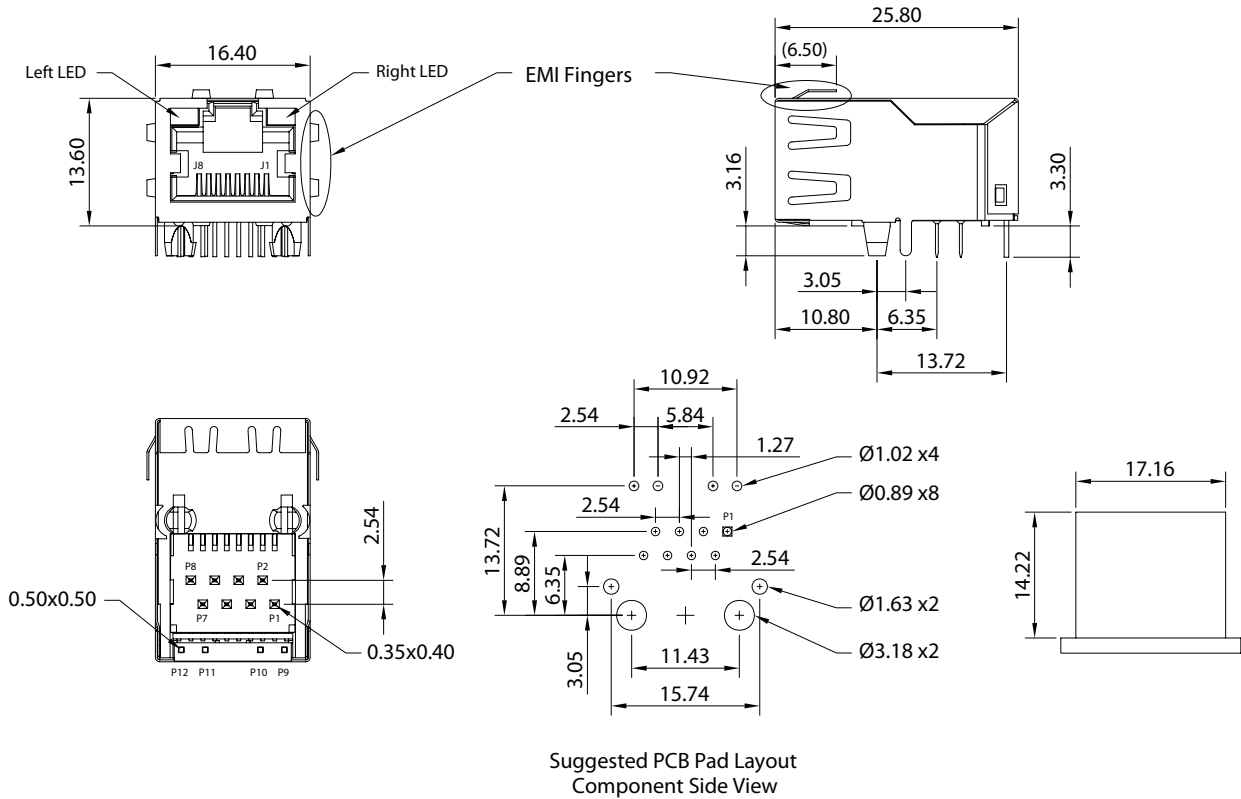


12.01.06

CTRJM Series

MECHANICAL

CTRJM26S1xxxxxxx



- NOTES : 1. Tolerance : PCB $\pm 0.05\text{mm}$
 Connector $\pm 0.25\text{mm}$
 2. Connector dimensions comply with FCC 68.5 dimension requirements

12.01.06