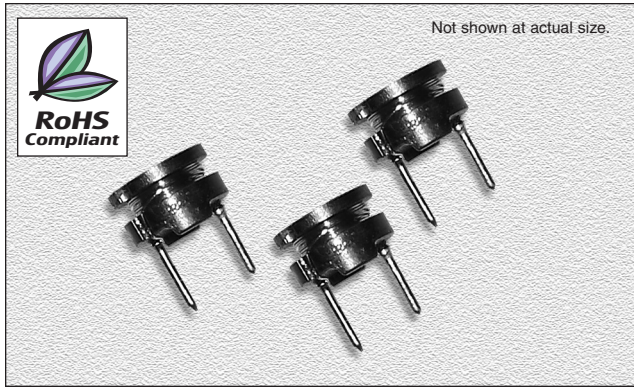


CTCH855F Series

From 10 μH to 10,000 μH

SPECIFICATIONS

Parts numbers indicate available inductance tolerance.
K = $\pm 10\%$, M = $\pm 20\%$



CHARACTERISTICS

Description: Radial leaded fixed inductor

Applications: Ideal for use as a power choke coil in switching power supply, TV sets, video appliances, and industrial equipment as well as use as a peaking coil in filtering applications

Inductance Tolerance: $\pm 10\%$, $\pm 20\%$

Testing: Tested on a HP4285A or HP4284A at specified frequency

Packaging: Bulk packaging

Rated Current: The rated D.C. current indicates the value of current when the inductance is 10% lower than its initial value at D.C. superposition or D.C. current when at $\Delta t=40^\circ\text{C}$ whichever is lower. ($T_a=20^\circ\text{C}$)

Miscellaneous: RoHS Compliant

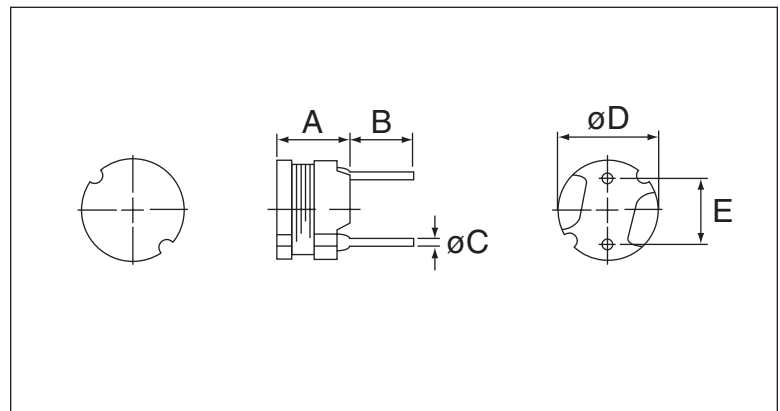
Additional Information: Additional electrical & physical information available upon request

Samples available. See website for ordering information.

Part Number	Inductance (μH)	Test Freq. (Hz)	DCR Max. (Ω)	Rated DC (A)
CTCH855F-100M	10	2.52M	0.07	2.5
CTCH855F-120M	12	2.52M	0.08	2.4
CTCH855F-150M	15	2.52M	0.09	2.1
CTCH855F-180M	18	2.52M	0.10	2.0
CTCH855F-220K	22	2.52M	0.12	1.7
CTCH855F-270K	27	2.52M	0.14	1.6
CTCH855F-330K	33	2.52M	0.17	1.4
CTCH855F-390K	39	2.52M	0.21	1.3
CTCH855F-470K	47	2.52M	0.24	1.2
CTCH855F-560K	56	2.52M	0.31	1.1
CTCH855F-680K	68	2.52M	0.34	1.0
CTCH855F-820K	82	2.52M	0.40	0.93
CTCH855F-101K	100	1.00k	0.52	0.81
CTCH855F-121K	120	1.00k	0.59	0.76
CTCH855F-151K	150	1.00k	0.71	0.67
CTCH855F-181K	180	1.00k	0.89	0.62
CTCH855F-221K	220	1.00k	1.04	0.54
CTCH855F-271K	270	1.00k	1.28	0.49
CTCH855F-331K	330	1.00k	1.47	0.44
CTCH855F-391K	390	1.00k	1.67	0.41
CTCH855F-471K	470	1.00k	1.95	0.38
CTCH855F-561K	560	1.00k	2.83	0.35
CTCH855F-681K	680	1.00k	3.25	0.32
CTCH855F-821K	820	1.00k	3.82	0.31
CTCH855F-102K	1000	1.00k	5.28	0.25
CTCH855F-122K	1200	1.00k	6.03	0.23
CTCH855F-152K	1500	1.00k	7.15	0.21
CTCH855F-182K	1800	1.00k	8.26	0.20
CTCH855F-222K	2200	1.00k	11.1	0.18
CTCH855F-272K	2700	1.00k	13.1	0.16
CTCH855F-332K	3300	1.00k	15.9	0.14
CTCH855F-392K	3900	1.00k	18.0	0.13
CTCH855F-472K	4700	1.00k	23.9	0.12
CTCH855F-562K	5600	1.00k	26.8	0.11
CTCH855F-682K	6800	1.00k	31.7	0.098
CTCH855F-822K	8200	1.00k	46.5	0.088
CTCH855F-103K	10000	1.00k	55.7	0.081

PHYSICAL DIMENSIONS

Size	A Max.	B	C	D	E
mm	5.5	5.0 \pm 1.0	0.7+0.1,-0.05	7.8 \pm 0.5	5.0 \pm 0.3
inches	0.22	0.20 \pm 0.04	0.027+0.004,-0.002	0.30 \pm 0.02	0.20 \pm 0.012



02.19.07