



# Technical Data Sheet (Preliminary) Power Top View LED

## 67-31AUBC/B001/TR8

### Features

- P-LCC-3 package.
- High flux output.
- High current capability.
- White package.
- Optical indicator.
- Colorless clear window.
- Ideal for backlight and light pipe application.
- Inter reflector.
- Wide viewing angle.
- Suitable for automatic placement equipment.
- Suitable for reflow and wave solder processes.
- Available on tape and reel (8mm Tape).
- Pb-free.
- The product itself will remain within RoHS compliant version.



### Descriptions

The 67-31A series is available in soft orange, red and yellow. Due to the package design, the LED has wide viewing angle and optimized light coupling by inter reflector.

This feature makes the ideal for light pipe application. The low current requirement makes this device ideal for portable equipment or any other application where power is at a premium.

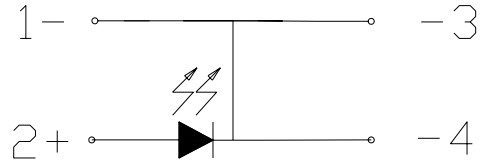
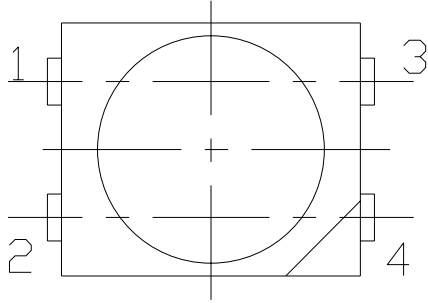
### Applications

- Indicator and backlight for audio and video equipment.
- Indicator and backlight in office and family equipment.
- Flat backlight for LCD's, switches and symbols.
- Light pipe application.
- General use.

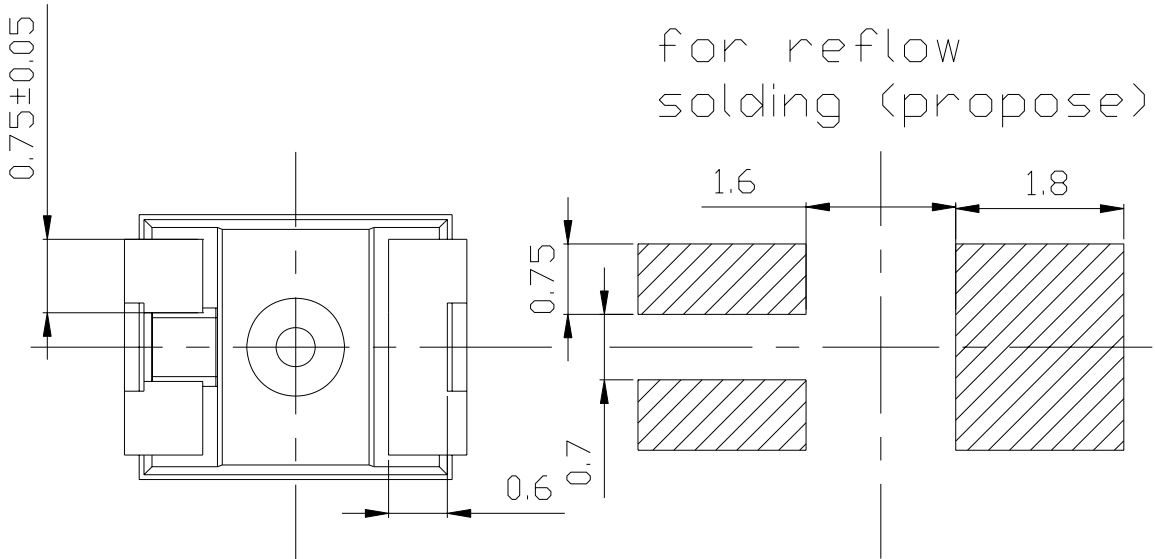
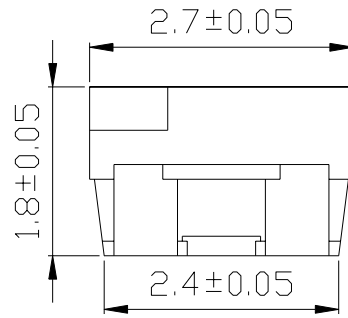
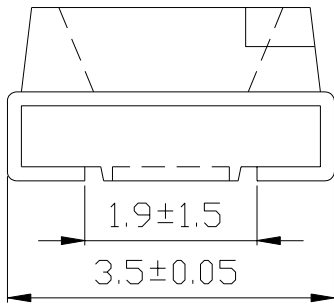
### Device Selection Guide

Chip		Lens Color
Material	Emitted Color	
InGaN/SiC	Blue	Water Clear

**Package Dimensions**



Polarity



**Note: The tolerances unless mentioned is  $\pm 0.1\text{mm}$  ;Unit = mm**

**Absolute Maximum Ratings ( $T_A=25^{\circ}\text{C}$ )**

Parameter	Symbol	Rating	Unit
Reverse Voltage	$V_R$	5	V
Forward Current	$I_F$	30	mA
Peak Forward Current (Duty 1/10 @1KHz)	$I_{FP}$	100	mA
Power Dissipation	$P_d$	120	mW
Junction Temperature	$T_j$	125	$^{\circ}\text{C}$
Electrostatic Discharge(HBM)	ESD	2000	V
Operating Temperature	$T_{opr}$	-40 ~ +100	$^{\circ}\text{C}$
Storage Temperature	$T_{stg}$	-40~ +110	$^{\circ}\text{C}$
Soldering Temperature	$T_{sol}$	Reflow Soldering : 260 $^{\circ}\text{C}$ for 10 sec. Hand Soldering : 350 $^{\circ}\text{C}$ for 3 sec.	

**Electronic Optical Characteristics :**

Parameter	Symbol	Min.	Typ.	Max.	Unit	Condition
Luminous Intensity	$I_v$	140	-----	285	mcd	$I_F=30\text{mA}$
Viewing Angle	$2\theta_{1/2}$	-----	120	-----	deg	$I_F=30\text{mA}$
Peak Wavelength	$\lambda_p$	-----	468	-----	nm	$I_F=30\text{mA}$
Dominant Wavelength	$\lambda_d$	463.0	-----	472.0	nm	$I_F=30\text{mA}$
Spectrum Radiation Bandwidth	$\Delta\lambda$	-----	26	-----	nm	$I_F=30\text{mA}$
Forward Voltage	$V_F$	-----	3.7	4.0	V	$I_F=30\text{mA}$
Reverse Current	$I_R$	-----	-----	10	$\mu\text{A}$	$V_R=5\text{V}$

**Notes:**

- 1.Tolerance of Luminous Intensity  $\pm 11\%$
- 2.Tolerance of Dominant Wavelength  $\pm 1\text{nm}$



**67-31AUBC/B001/TR8**

**Bin Range Of Dominant Wavelength**

Bin Code	Min.	Max.	Unit	Condition
1	463.0	467.5	nm	I <sub>F</sub> =30mA
2	467.5	472.0		

**Bin Range Of Luminous Intensity**

Bin	Min	Max	Unit	Condition
R2	140	180	mcd	I <sub>F</sub> =30mA
S1	180	225		
S2	225	285		

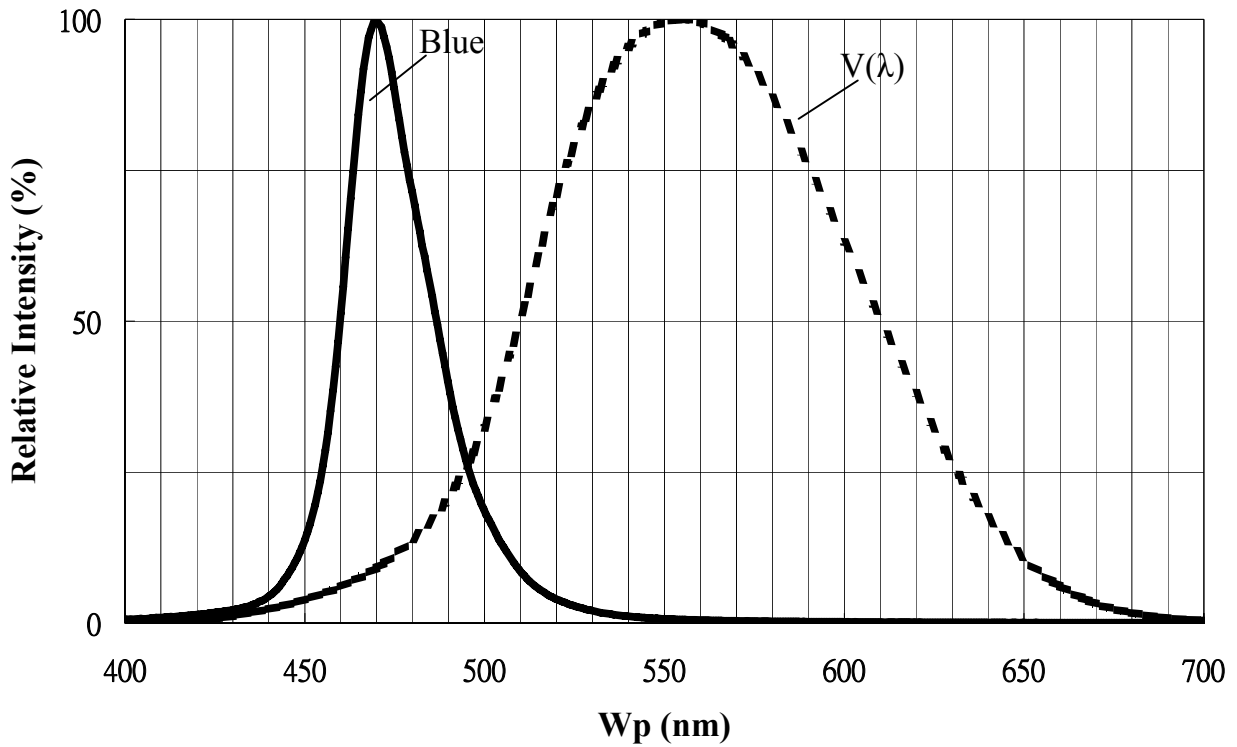
**Notes:**

- 1.Tolerance of Luminous Intensity  $\pm 11\%$
- 2.Tolerance of Dominant Wavelength  $\pm 1\text{nm}$

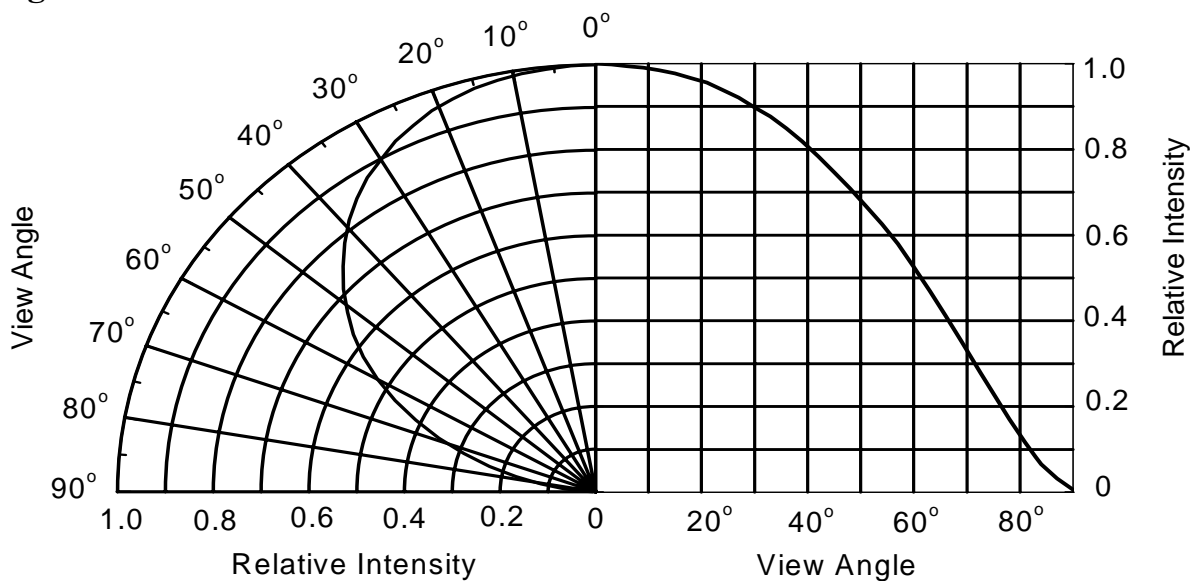
**Typical Electro-Optical Characteristics Curves**

Typical curve of spectral distribution:

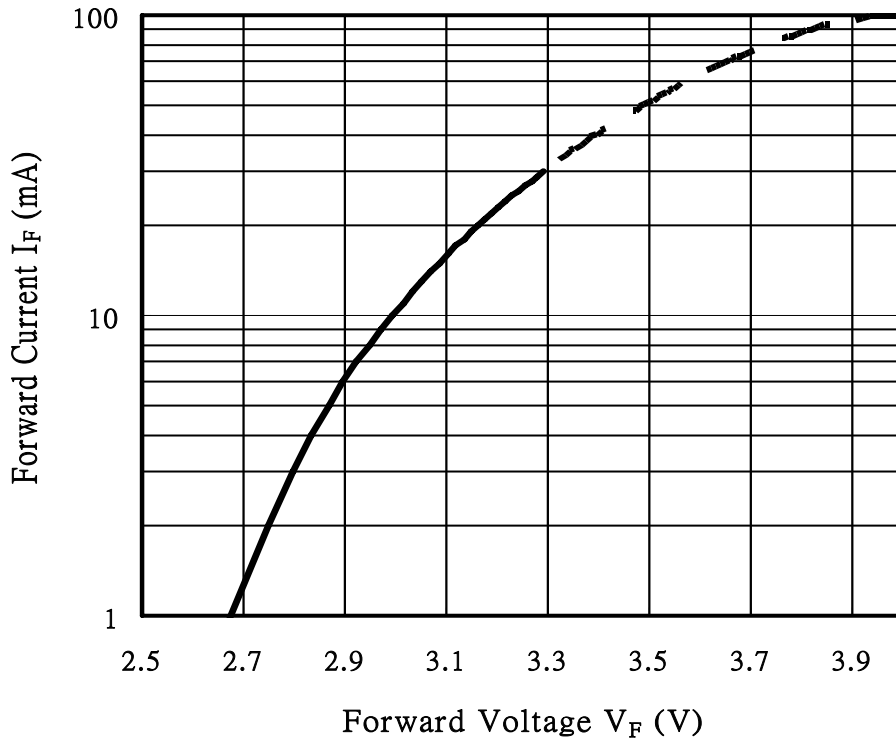
$V(\lambda)$ =Standard eye response curve



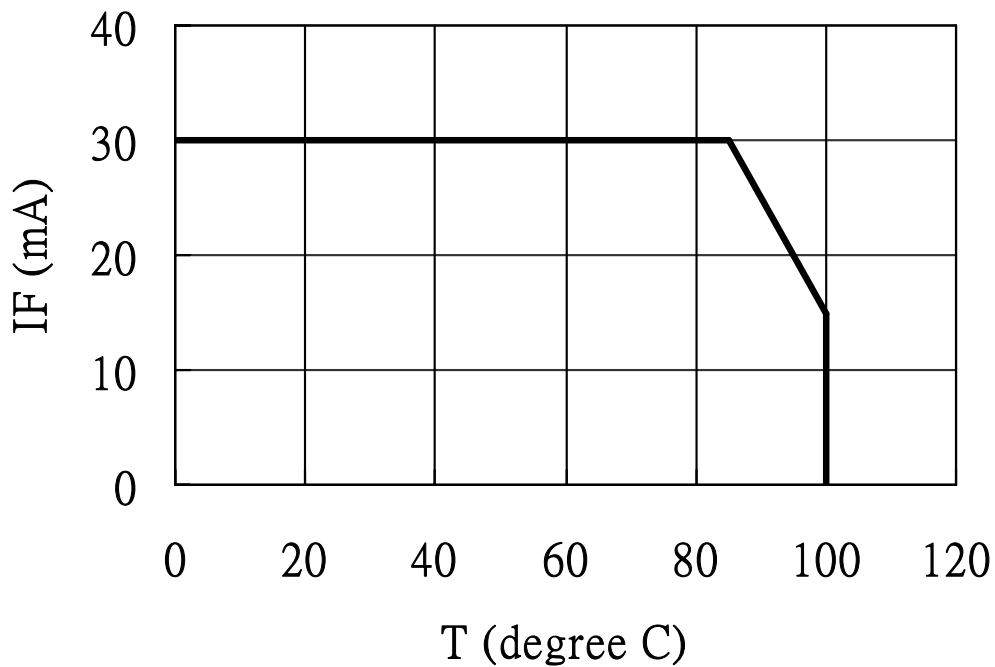
**Diagram characteristics of radiation :**



**Forward Current vs. Forward Voltage  $T_a=25^\circ\text{C}$**

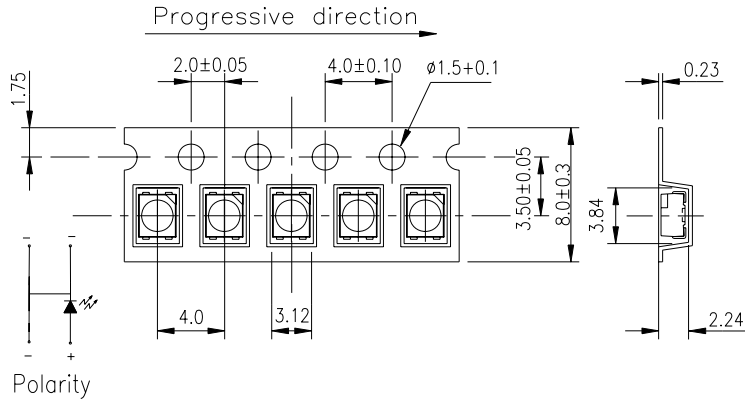


**Forward Current v.s. Ambient Temp.**



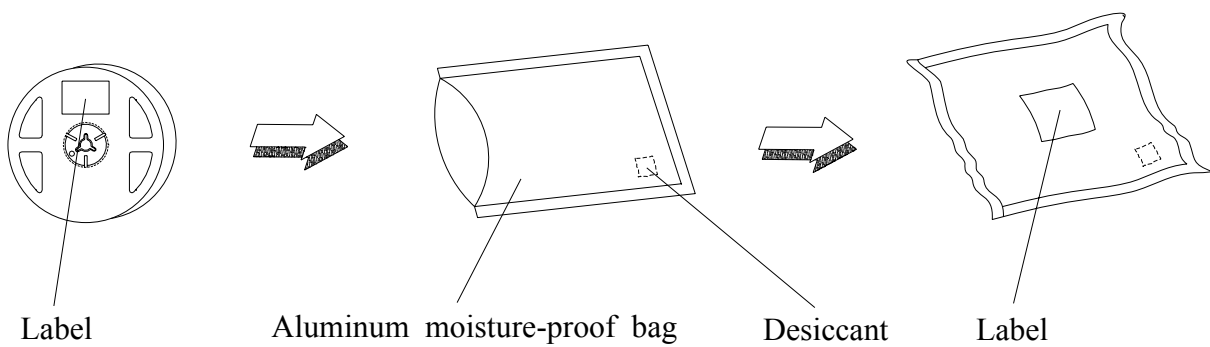


**Carrier Tape Dimensions; Loaded quantity per reel 2000 PCS/reel**



**Note:** Tolerances Unless Dimension  $\pm 0.1\text{mm}$  Unit = mm

**Moisture Resistant Packaging**





**Precautions For Use**

1. Over-current-proof

Customer must apply resistors for protection, otherwise slight voltage shift will cause big current change ( Burn out will happen ).

2. Storage

2.1 Do not open moisture proof bag before the products are ready to use.

2.2 Before opening the package: The LEDs should be kept at 30°C or less and 90%RH or less.

2.3 After opening the package: The LED's floor life is 1 year under 30 deg C or less and 60% RH or less.

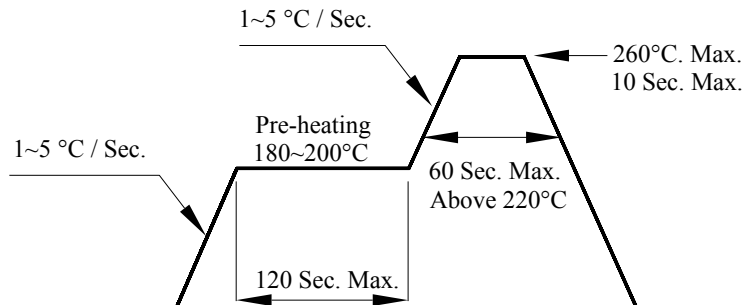
If unused LEDs remain, it should be stored in moisture proof packages.

2.4 If the moisture absorbent material (silica gel) has faded away or the LEDs have exceeded the storage time, baking treatment should be performed using the following conditions.

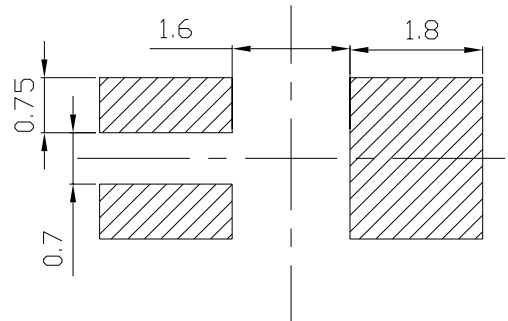
Baking treatment : 60±5°C for 24 hours.

3. Soldering Condition

3.1 Pb-free solder temperature profile



B. Recommend soldering pad



3.2 Reflow soldering should not be done more than two times.

3.3 When soldering, do not put stress on the LEDs during heating.

3.4 After soldering, do not warp the circuit board.

4.Soldering Iron

Each terminal is to go to the tip of soldering iron temperature less than 350°C for 3 seconds within once in less than the soldering iron capacity 25W. Leave two seconds and more intervals, and do soldering of each terminal. Be careful because the damage of the product is often started at the time of the hand solder.