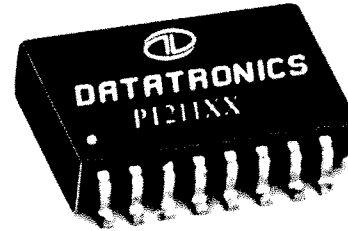
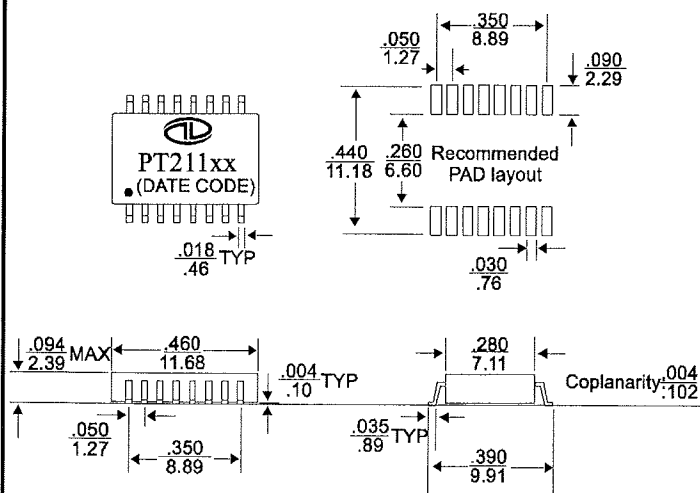


Token Ring Transformer in PCMCIA package
Features

- Standard low profile PCMCIA package
- Ideal for Type I or Type II applications
- Provide impedance matching function
- Transfer molded SMD package
- Pick and place compatible
- Designed to withstand IR reflow soldering


Electrical Specifications @25°C

Part Number	Turns Ratio (±2%)	OCL (μH Typ)	Insertion Loss @1MHz (dB Typ)	Return Loss @1MHz (dB Min)	Cww Pri:Sec (pF Max)	Leakage Inductance (μH Max)	DCR (Ω Max)		Hipot (Vrms)
							Pri	Sec	
PT21121	1 : 1 : 1 : 1	75	.40	20	10	0.15	.20	.20	500
PT21122	1 : 1 : 1 : 1	100	.40	20	10	0.20	.30	.30	500
PT21123	1 : 1 : 1.22 : 1.22	100	.40	20	12	0.20	.30	.40	500
PT21124	1 : 1 : 2 : 2	100	.40	22	15	0.20	.30	.60	500
PT21125	1 : 1 : 1 : 1	150	.40	20	12	0.20	.30	.30	500
PT21126	1 : 1 : 1.22 : 1.22	150	.40	20	15	0.20	.30	.40	500
PT21127	1 : 1 : 1 : 1	200	.40	22	15	0.30	.40	.40	500

Mechanical Outline


- Note:
1. All dimensions are specified in $\frac{\text{inches}}{\text{mm}}$
 2. Unless otherwise specified, tolerances are $\pm .010$
 $\pm .254$
 3. Dimensions are exclusive of solder

Schematic
