

SHIELDED POWER INDUCTOR

P7607 Family

Features

- * Lead-free (Pb-free)
- * RoHS compliant
- * Magnetic Shielding
- * High Current (to 5A)
- * Low DCR (to 19mΩ)
- * Low profile (2.5 - 5mm)
- * Wide range (1μH – 1000μH)
- * Surface Mount
- * Flat top for pick & place

Applications

- * DC-DC Converters
- * High Current/Low Voltage Converters
- * Notebook and handheld equipment
- * Hard Disk drives

DESCRIPTION

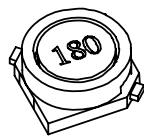
The P7607 family comprises high current, shielded power inductors.

Components are available in eight mechanical sizes and offer compact solutions for applications requiring high energy storage.

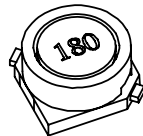
Three PCB footprints are provided and height is available as low as 2.5mm (0602 size).

All sizes cover a wide range of values spanning three decades (1μH – 1000μH).

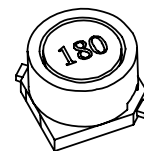
The family provides reliable Pb-free terminations. Parts are compliant with RoHS Directive 2002/95/EC, and suitable for Pb-free and conventional placement and reflow.



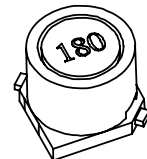
P7607-0602



P7607-0603



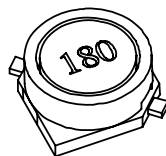
P7607-0604



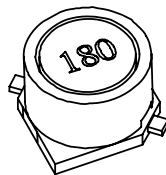
P7607-0605



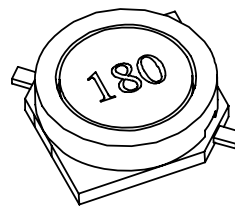
RoHS
COMPLIANT



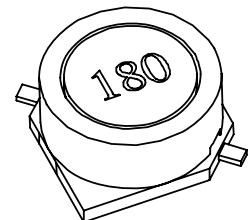
P7607-0703



P7607-0705



P7607-1003



P7607-1004

SPECIFICATIONS

Electrical

0602 size

| Part Number | Inductance (μH) ⁽¹⁾ | DCR (Ω) Max | Rated Current ⁽²⁾ I_{DC} (A) |
|-----------------|---|----------------------|---|
| P7607-0602-1R0M | 1.0 \pm 20% | 0.030 | 2.5 |
| P7607-0602-1R5M | 1.5 \pm 20% | 0.035 | 2.3 |
| P7607-0602-2R2M | 2.2 \pm 20% | 0.045 | 2.0 |
| P7607-0602-3R3M | 3.3 \pm 20% | 0.070 | 1.6 |
| P7607-0602-4R7M | 4.7 \pm 20% | 0.085 | 1.35 |
| P7607-0602-6R8M | 6.8 \pm 20% | 0.12 | 1.10 |
| P7607-0602-100M | 10 \pm 20% | 0.17 | 0.95 |
| P7607-0602-150M | 15 \pm 20% | 0.24 | 0.75 |
| P7607-0602-220M | 22 \pm 20% | 0.33 | 0.65 |
| P7607-0602-330M | 33 \pm 20% | 0.48 | 0.50 |
| P7607-0602-470M | 47 \pm 20% | 0.65 | 0.40 |
| P7607-0602-680M | 68 \pm 20% | 0.87 | 0.30 |
| P7607-0602-101M | 100 \pm 20% | 1.5 | 0.25 |
| P7607-0602-151M | 150 \pm 20% | 2.3 | 0.20 |
| P7607-0602-221M | 220 \pm 20% | 3.2 | 0.18 |
| P7607-0602-331M | 330 \pm 20% | 4.8 | 0.16 |
| P7607-0602-471M | 470 \pm 20% | 7.2 | 0.13 |
| P7607-0602-681M | 680 \pm 20% | 10.0 | 0.11 |
| P7607-0602-102M | 1000 \pm 20% | 15.5 | 0.09 |

Notes

1. Inductance measured at 100kHz, 1V.
2. Rated Current, I_{DC} , is the current at which the temperature rise is 40°C (max) or the DC current at which the zero-current inductance drops by 10%, whichever is less.
3. Operating temperature -25°C to +85°C.
4. For non-standard inductance values, please contact Profec.

0603 size

| Part Number | Inductance (μH) ⁽¹⁾ | DCR (Ω) Max | Rated Current ⁽²⁾ I_{DC} (A) |
|-----------------|---|----------------------|---|
| P7607-0603-1R0M | 1.0 \pm 20% | 0.019 | 2.40 |
| P7607-0603-1R5M | 1.5 \pm 20% | 0.025 | 2.20 |
| P7607-0603-2R2M | 2.2 \pm 20% | 0.032 | 1.90 |
| P7607-0603-3R3M | 3.3 \pm 20% | 0.050 | 1.50 |
| P7607-0603-4R7M | 4.7 \pm 20% | 0.060 | 1.30 |
| P7607-0603-6R8M | 6.8 \pm 20% | 0.070 | 1.20 |
| P7607-0603-100M | 10 \pm 20% | 0.12 | 1.00 |
| P7607-0603-120M | 12 \pm 20% | 0.13 | 0.90 |
| P7607-0603-150M | 15 \pm 20% | 0.15 | 0.80 |
| P7607-0603-180M | 18 \pm 20% | 0.16 | 0.75 |
| P7607-0603-220M | 22 \pm 20% | 0.23 | 0.65 |
| P7607-0603-270M | 27 \pm 20% | 0.25 | 0.60 |
| P7607-0603-330M | 33 \pm 20% | 0.34 | 0.55 |
| P7607-0603-390M | 39 \pm 20% | 0.38 | 0.52 |
| P7607-0603-470M | 47 \pm 20% | 0.42 | 0.50 |
| P7607-0603-560M | 56 \pm 20% | 0.57 | 0.48 |
| P7607-0603-680M | 68 \pm 20% | 0.62 | 0.45 |
| P7607-0603-820M | 82 \pm 20% | 0.90 | 0.40 |
| P7607-0603-101M | 100 \pm 20% | 0.99 | 0.35 |
| P7607-0603-121M | 120 \pm 20% | 1.15 | 0.30 |
| P7607-0603-151M | 150 \pm 20% | 1.75 | 0.28 |
| P7607-0603-181M | 180 \pm 20% | 1.95 | 0.26 |
| P7607-0603-221M | 220 \pm 20% | 2.20 | 0.22 |
| P7607-0603-271M | 270 \pm 20% | 2.50 | 0.20 |
| P7607-0603-331M | 330 \pm 20% | 3.20 | 0.18 |
| P7607-0603-391M | 390 \pm 20% | 3.50 | 0.17 |
| P7607-0603-471M | 470 \pm 20% | 4.95 | 0.16 |
| P7607-0603-561M | 560 \pm 20% | 5.35 | 0.15 |
| P7607-0603-681M | 680 \pm 20% | 6.30 | 0.14 |
| P7607-0603-821M | 820 \pm 20% | 8.20 | 0.13 |
| P7607-0603-102M | 1000 \pm 20% | 9.20 | 0.12 |

Notes

1. Inductance measured at 100kHz, 1V.
2. Rated Current, I_{DC} , is the current at which the temperature rise is 40°C (max) or the DC current at which the zero-current inductance drops by 10%, whichever is less.
3. Operating temperature -25°C to +85°C.
4. For non-standard inductance values, please contact Profec.

0604 size

| Part Number | Inductance (μH) ⁽¹⁾ | DCR (Ω) Max | Rated Current ⁽²⁾ I_{DC} (A) |
|-----------------|---|----------------------|---|
| P7607-0604-1R0M | 1.0 \pm 20% | 0.022 | 2.50 |
| P7607-0604-1R5M | 1.5 \pm 20% | 0.025 | 2.20 |
| P7607-0604-2R2M | 2.2 \pm 20% | 0.030 | 1.90 |
| P7607-0604-3R3M | 3.3 \pm 20% | 0.035 | 1.70 |
| P7607-0604-4R7M | 4.7 \pm 20% | 0.050 | 1.30 |
| P7607-0604-6R8M | 6.8 \pm 20% | 0.055 | 1.10 |
| P7607-0604-100M | 10 \pm 20% | 0.065 | 1.00 |
| P7607-0604-120M | 12 \pm 20% | 0.090 | 0.90 |
| P7607-0604-150M | 15 \pm 20% | 0.10 | 0.80 |
| P7607-0604-180M | 18 \pm 20% | 0.11 | 0.70 |
| P7607-0604-220M | 22 \pm 20% | 0.15 | 0.65 |
| P7607-0604-270M | 27 \pm 20% | 0.17 | 0.60 |
| P7607-0604-330M | 33 \pm 20% | 0.22 | 0.55 |
| P7607-0604-390M | 39 \pm 20% | 0.24 | 0.50 |
| P7607-0604-470M | 47 \pm 20% | 0.30 | 0.47 |
| P7607-0604-560M | 56 \pm 20% | 0.34 | 0.42 |
| P7607-0604-680M | 68 \pm 20% | 0.39 | 0.40 |
| P7607-0604-820M | 82 \pm 20% | 0.50 | 0.35 |
| P7607-0604-101M | 100 \pm 20% | 0.57 | 0.32 |
| P7607-0604-121M | 120 \pm 20% | 0.63 | 0.30 |
| P7607-0604-151M | 150 \pm 20% | 0.90 | 0.27 |
| P7607-0604-181M | 180 \pm 20% | 0.99 | 0.25 |
| P7607-0604-221M | 220 \pm 20% | 1.15 | 0.22 |
| P7607-0604-271M | 270 \pm 20% | 1.55 | 0.20 |
| P7607-0604-331M | 330 \pm 20% | 1.76 | 0.18 |
| P7607-0604-391M | 390 \pm 20% | 2.6 | 0.17 |
| P7607-0604-471M | 470 \pm 20% | 3.0 | 0.16 |
| P7607-0604-561M | 560 \pm 20% | 3.3 | 0.15 |
| P7607-0604-681M | 680 \pm 20% | 3.7 | 0.13 |
| P7607-0604-821M | 820 \pm 20% | 4.9 | 0.12 |
| P7607-0604-102M | 1000 \pm 20% | 5.7 | 0.11 |

Notes

1. Inductance measured at 100kHz, 1V.
2. Rated Current, I_{DC} , is the current at which the temperature rise is 40°C (max) or the DC current at which the zero-current inductance drops by 10%, whichever is less.
3. Operating temperature -25°C to +85°C.
4. For non-standard inductance values, please contact Profec.

0605 size

| Part Number | Inductance (μH) ⁽¹⁾ | DCR (Ω) Max | Rated Current ⁽²⁾ I_{DC} (A) |
|-----------------|---|----------------------|---|
| P7607-0605-1R0M | 1.0 \pm 20% | 0.023 | 2.70 |
| P7607-0605-1R5M | 1.5 \pm 20% | 0.026 | 2.30 |
| P7607-0605-2R2M | 2.2 \pm 20% | 0.028 | 1.90 |
| P7607-0605-3R3M | 3.3 \pm 20% | 0.035 | 1.80 |
| P7607-0605-4R7M | 4.7 \pm 20% | 0.040 | 1.40 |
| P7607-0605-6R8M | 6.8 \pm 20% | 0.045 | 1.20 |
| P7607-0605-100M | 10 \pm 20% | 0.060 | 1.00 |
| P7607-0605-120M | 12 \pm 20% | 0.065 | 0.90 |
| P7607-0605-150M | 15 \pm 20% | 0.070 | 0.80 |
| P7607-0605-180M | 18 \pm 20% | 0.095 | 0.70 |
| P7607-0605-220M | 22 \pm 20% | 0.110 | 0.65 |
| P7607-0605-270M | 27 \pm 20% | 0.120 | 0.60 |
| P7607-0605-330M | 33 \pm 20% | 0.165 | 0.55 |
| P7607-0605-390M | 39 \pm 20% | 0.180 | 0.48 |
| P7607-0605-470M | 47 \pm 20% | 0.200 | 0.45 |
| P7607-0605-560M | 56 \pm 20% | 0.255 | 0.40 |
| P7607-0605-680M | 68 \pm 20% | 0.285 | 0.37 |
| P7607-0605-820M | 82 \pm 20% | 0.39 | 0.35 |
| P7607-0605-101M | 100 \pm 20% | 0.42 | 0.30 |
| P7607-0605-121M | 120 \pm 20% | 0.47 | 0.28 |
| P7607-0605-151M | 150 \pm 20% | 0.63 | 0.25 |
| P7607-0605-181M | 180 \pm 20% | 0.72 | 0.22 |
| P7607-0605-221M | 220 \pm 20% | 0.82 | 0.20 |
| P7607-0605-271M | 270 \pm 20% | 1.10 | 0.18 |
| P7607-0605-331M | 330 \pm 20% | 1.20 | 0.17 |
| P7607-0605-391M | 390 \pm 20% | 1.70 | 0.16 |
| P7607-0605-471M | 470 \pm 20% | 1.90 | 0.14 |
| P7607-0605-561M | 560 \pm 20% | 2.15 | 0.13 |
| P7607-0605-681M | 680 \pm 20% | 3.30 | 0.12 |
| P7607-0605-821M | 820 \pm 20% | 3.65 | 0.11 |
| P7607-0605-102M | 1000 \pm 20% | 4.15 | 0.10 |

Notes

1. Inductance measured at 100kHz, 1V.
2. Rated Current, I_{DC} , is the current at which the temperature rise is 40°C (max) or the DC current at which the zero-current inductance drops by 10%, whichever is less.
3. Operating temperature -25°C to +85°C.
4. For non-standard inductance values, please contact Profec.

0703 size

| Part Number | Inductance (μH) ⁽¹⁾ | DCR (Ω) Max | Rated Current ⁽²⁾ I_{DC} (A) |
|-----------------|---|----------------------|---|
| P7607-0703-1R0M | 1.0 \pm 20% | 0.019 | 3.25 |
| P7607-0703-1R5M | 1.5 \pm 20% | 0.023 | 3.00 |
| P7607-0703-2R2M | 2.2 \pm 20% | 0.033 | 2.55 |
| P7607-0703-3R3M | 3.3 \pm 20% | 0.035 | 2.40 |
| P7607-0703-4R7M | 4.7 \pm 20% | 0.046 | 2.10 |
| P7607-0703-6R8M | 6.8 \pm 20% | 0.060 | 1.90 |
| P7607-0703-100M | 10 \pm 20% | 0.090 | 1.50 |
| P7607-0703-120M | 12 \pm 20% | 0.12 | 1.45 |
| P7607-0703-150M | 15 \pm 20% | 0.13 | 1.20 |
| P7607-0703-180M | 18 \pm 20% | 0.15 | 1.15 |
| P7607-0703-220M | 22 \pm 20% | 0.19 | 1.05 |
| P7607-0703-270M | 27 \pm 20% | 0.20 | 1.00 |
| P7607-0703-330M | 33 \pm 20% | 0.28 | 0.90 |
| P7607-0703-390M | 39 \pm 20% | 0.30 | 0.80 |
| P7607-0703-470M | 47 \pm 20% | 0.34 | 0.75 |
| P7607-0703-560M | 56 \pm 20% | 0.44 | 0.68 |
| P7607-0703-680M | 68 \pm 20% | 0.50 | 0.65 |
| P7607-0703-820M | 82 \pm 20% | 0.68 | 0.60 |
| P7607-0703-101M | 100 \pm 20% | 0.76 | 0.50 |
| P7607-0703-121M | 120 \pm 20% | 0.84 | 0.48 |
| P7607-0703-151M | 150 \pm 20% | 0.94 | 0.45 |
| P7607-0703-181M | 180 \pm 20% | 1.30 | 0.38 |
| P7607-0703-221M | 220 \pm 20% | 1.5 | 0.35 |
| P7607-0703-271M | 270 \pm 20% | 2.4 | 0.30 |
| P7607-0703-331M | 330 \pm 20% | 2.6 | 0.28 |
| P7607-0703-391M | 390 \pm 20% | 3.0 | 0.25 |
| P7607-0703-471M | 470 \pm 20% | 3.3 | 0.23 |
| P7607-0703-561M | 560 \pm 20% | 5.7 | 0.20 |
| P7607-0703-681M | 680 \pm 20% | 6.1 | 0.18 |
| P7607-0703-821M | 820 \pm 20% | 6.7 | 0.17 |
| P7607-0703-102M | 1000 \pm 20% | 7.4 | 0.16 |

Notes

1. Inductance measured at 100kHz, 1V.
2. Rated Current, I_{DC} , is the current at which the temperature rise is 40°C (max) or the DC current at which the zero-current inductance drops by 10%, whichever is less.
3. Operating temperature -25°C to +85°C.
4. For non-standard inductance values, please contact Profec.

0705 size

| Part Number | Inductance (μH) ⁽¹⁾ | DCR (Ω) Max | Rated Current ⁽²⁾ I_{DC} (A) |
|-----------------|---|----------------------|--|
| P7607-0705-1R0M | 1.0 \pm 20% | 0.020 | 3.00 |
| P7607-0705-1R5M | 1.5 \pm 20% | 0.023 | 2.90 |
| P7607-0705-2R2M | 2.2 \pm 20% | 0.026 | 2.70 |
| P7607-0705-3R3M | 3.3 \pm 20% | 0.030 | 2.50 |
| P7607-0705-4R7M | 4.7 \pm 20% | 0.036 | 2.00 |
| P7607-0705-6R8M | 6.8 \pm 20% | 0.045 | 1.90 |
| P7607-0705-100M | 10 \pm 20% | 0.060 | 1.70 |
| P7607-0705-120M | 12 \pm 20% | 0.065 | 1.55 |
| P7607-0705-150M | 15 \pm 20% | 0.070 | 1.45 |
| P7607-0705-180M | 18 \pm 20% | 0.080 | 1.20 |
| P7607-0705-220M | 22 \pm 20% | 0.090 | 1.15 |
| P7607-0705-270M | 27 \pm 20% | 0.120 | 1.00 |
| P7607-0705-330M | 33 \pm 20% | 0.135 | 0.90 |
| P7607-0705-390M | 39 \pm 20% | 0.150 | 0.85 |
| P7607-0705-470M | 47 \pm 20% | 0.17 | 0.80 |
| P7607-0705-560M | 56 \pm 20% | 0.23 | 0.70 |
| P7607-0705-680M | 68 \pm 20% | 0.27 | 0.65 |
| P7607-0705-820M | 82 \pm 20% | 0.30 | 0.57 |
| P7607-0705-101M | 100 \pm 20% | 0.36 | 0.50 |
| P7607-0705-121M | 120 \pm 20% | 0.40 | 0.47 |
| P7607-0705-151M | 150 \pm 20% | 0.53 | 0.40 |
| P7607-0705-181M | 180 \pm 20% | 0.60 | 0.38 |
| P7607-0705-221M | 220 \pm 20% | 0.80 | 0.35 |
| P7607-0705-271M | 270 \pm 20% | 0.90 | 0.32 |
| P7607-0705-331M | 330 \pm 20% | 1.00 | 0.30 |
| P7607-0705-391M | 390 \pm 20% | 1.40 | 0.27 |
| P7607-0705-471M | 470 \pm 20% | 1.60 | 0.25 |
| P7607-0705-561M | 560 \pm 20% | 1.75 | 0.22 |
| P7607-0705-681M | 680 \pm 20% | 2.50 | 0.20 |
| P7607-0705-821M | 820 \pm 20% | 2.80 | 0.19 |
| P7607-0705-102M | 1000 \pm 20% | 3.20 | 0.18 |

Notes

1. Inductance measured at 100kHz, 1V.
2. Rated Current, I_{DC} , is the current at which the temperature rise is 40°C (max) or the DC current at which the zero-current inductance drops by 10%, whichever is less.
3. Operating temperature -25°C to +85°C.
4. For non-standard inductance values, please contact Profec.

1003 size

| Part Number | Inductance (μH) ⁽¹⁾ | DCR (Ω) Max | Rated Current ⁽²⁾ I_{DC} (A) |
|-----------------|---|----------------------|---|
| P7607-1003-1R5M | 1.5 \pm 20% | 0.022 | 4.00 |
| P7607-1003-2R2M | 2.2 \pm 20% | 0.025 | 3.50 |
| P7607-1003-3R3M | 3.3 \pm 20% | 0.040 | 3.00 |
| P7607-1003-4R7M | 4.7 \pm 20% | 0.045 | 2.50 |
| P7607-1003-6R8M | 6.8 \pm 20% | 0.060 | 2.20 |
| P7607-1003-100M | 10 \pm 20% | 0.070 | 2.00 |
| P7607-1003-120M | 12 \pm 20% | 0.095 | 1.90 |
| P7607-1003-150M | 15 \pm 20% | 0.12 | 1.70 |
| P7607-1003-180M | 18 \pm 20% | 0.13 | 1.55 |
| P7607-1003-220M | 22 \pm 20% | 0.18 | 1.45 |
| P7607-1003-270M | 27 \pm 20% | 0.20 | 1.30 |
| P7607-1003-330M | 33 \pm 20% | 0.21 | 1.10 |
| P7607-1003-390M | 39 \pm 20% | 0.27 | 1.00 |
| P7607-1003-470M | 47 \pm 20% | 0.30 | 0.85 |
| P7607-1003-560M | 56 \pm 20% | 0.40 | 0.80 |
| P7607-1003-680M | 68 \pm 20% | 0.44 | 0.75 |
| P7607-1003-820M | 82 \pm 20% | 0.49 | 0.65 |
| P7607-1003-101M | 100 \pm 20% | 0.67 | 0.60 |
| P7607-1003-121M | 120 \pm 20% | 0.74 | 0.55 |
| P7607-1003-151M | 150 \pm 20% | 0.79 | 0.50 |
| P7607-1003-181M | 180 \pm 20% | 1.20 | 0.45 |
| P7607-1003-221M | 220 \pm 20% | 1.35 | 0.40 |
| P7607-1003-271M | 270 \pm 20% | 1.80 | 0.38 |
| P7607-1003-331M | 330 \pm 20% | 2.00 | 0.32 |
| P7607-1003-391M | 390 \pm 20% | 2.10 | 0.30 |
| P7607-1003-471M | 470 \pm 20% | 3.50 | 0.28 |
| P7607-1003-561M | 560 \pm 20% | 3.90 | 0.25 |
| P7607-1003-681M | 680 \pm 20% | 4.10 | 0.22 |
| P7607-1003-821M | 820 \pm 20% | 4.55 | 0.20 |
| P7607-1003-102M | 1000 \pm 20% | 5.10 | 0.18 |

Notes

1. Inductance measured at 100kHz, 1V.
2. Rated Current, I_{DC} , is the current at which the temperature rise is 40°C (max) or the DC current at which the zero-current inductance drops by 10%, whichever is less.
3. Operating temperature -25°C to +85°C.
4. For non-standard inductance values, please contact Profec.

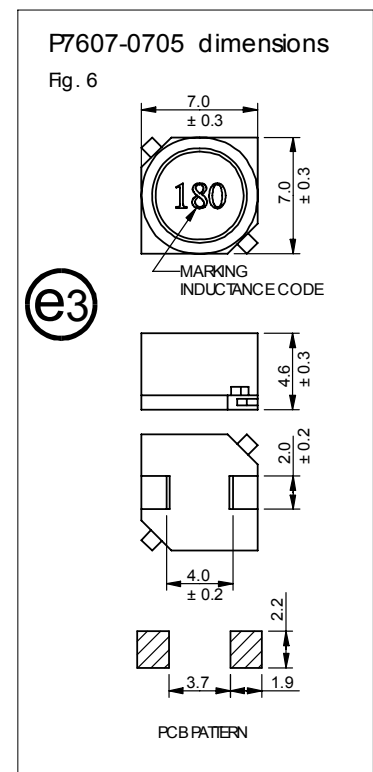
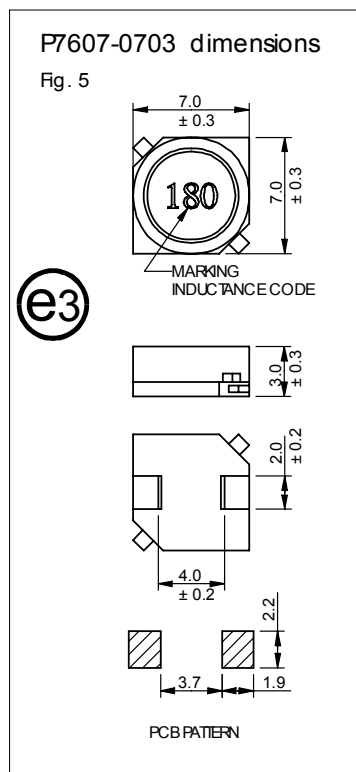
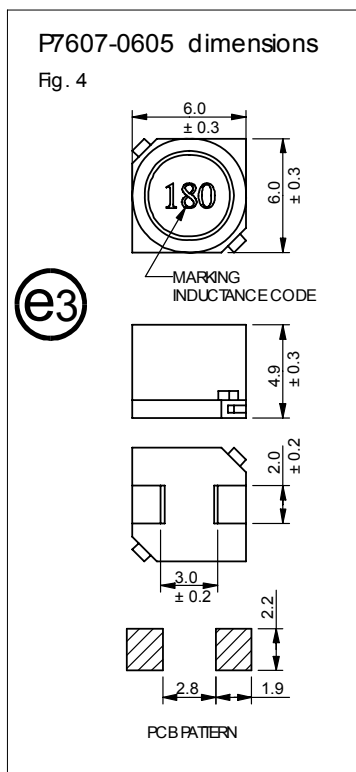
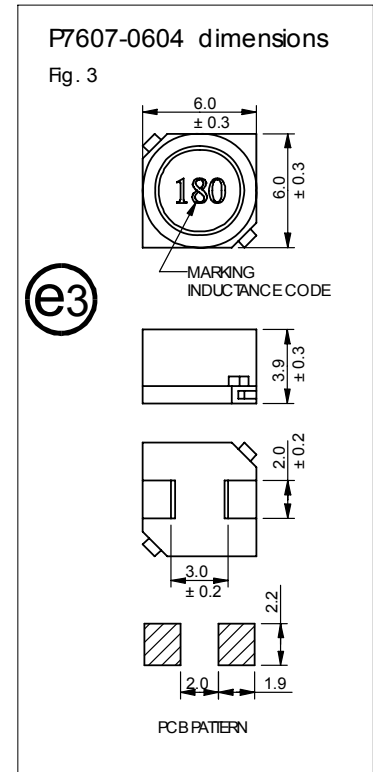
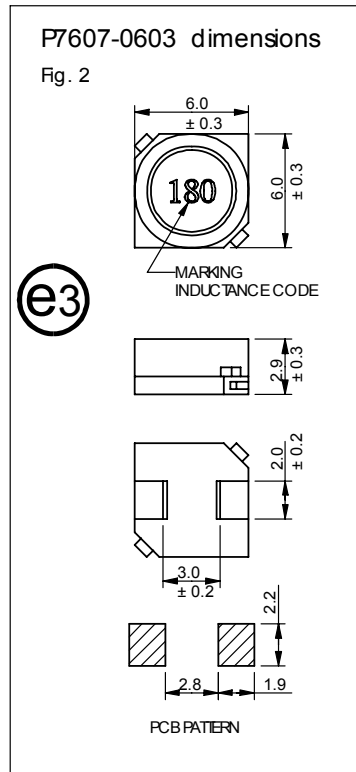
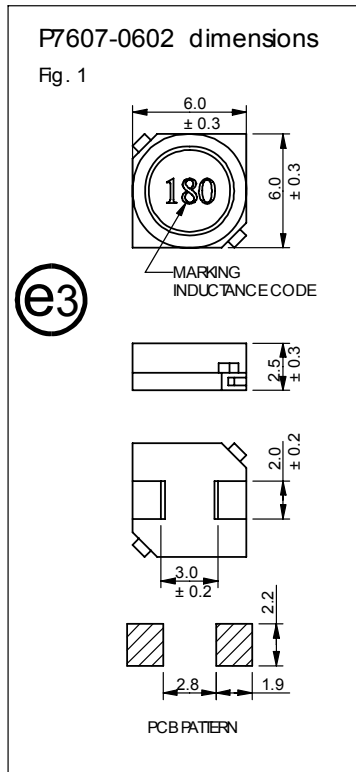
1004 size

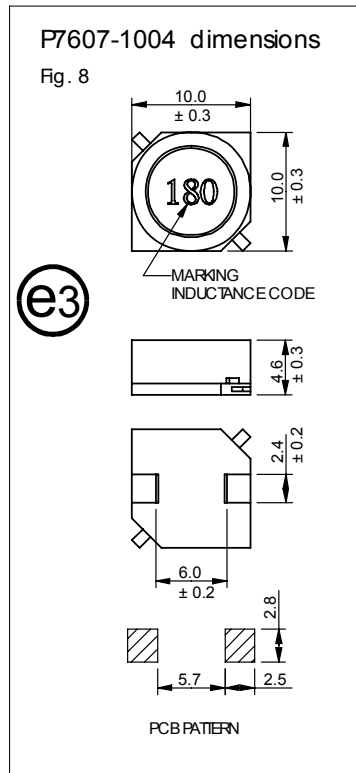
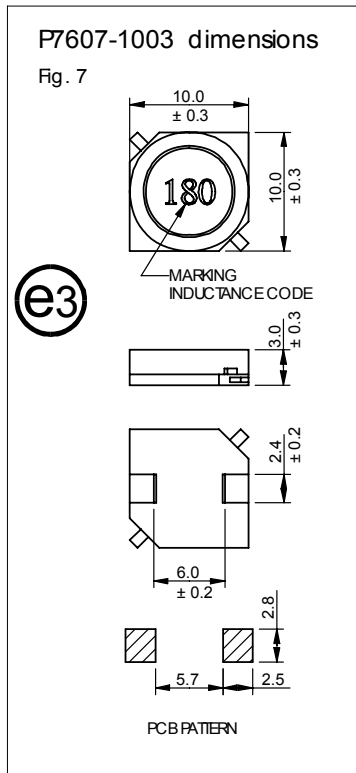
| Part Number | Inductance (μH) ⁽¹⁾ | DCR (Ω) Max | Rated Current ⁽²⁾ I_{DC} (A) |
|-----------------|---|----------------------|---|
| P7607-1004-1R5M | 1.5 \pm 20% | 0.021 | 5.00 |
| P7607-1004-2R2M | 2.2 \pm 20% | 0.024 | 4.50 |
| P7607-1004-3R3M | 3.3 \pm 20% | 0.026 | 4.00 |
| P7607-1004-4R7M | 4.7 \pm 20% | 0.030 | 3.00 |
| P7607-1004-6R8M | 6.8 \pm 20% | 0.035 | 2.50 |
| P7607-1004-100M | 10 \pm 20% | 0.042 | 2.20 |
| P7607-1004-120M | 12 \pm 20% | 0.050 | 2.00 |
| P7607-1004-150M | 15 \pm 20% | 0.055 | 1.80 |
| P7607-1004-180M | 18 \pm 20% | 0.060 | 1.70 |
| P7607-1004-220M | 22 \pm 20% | 0.080 | 1.50 |
| P7607-1004-270M | 27 \pm 20% | 0.085 | 1.20 |
| P7607-1004-330M | 33 \pm 20% | 0.11 | 1.15 |
| P7607-1004-390M | 39 \pm 20% | 0.12 | 1.10 |
| P7607-1004-470M | 47 \pm 20% | 0.15 | 1.00 |
| P7607-1004-560M | 56 \pm 20% | 0.16 | 0.90 |
| P7607-1004-680M | 68 \pm 20% | 0.19 | 0.85 |
| P7607-1004-820M | 82 \pm 20% | 0.21 | 0.80 |
| P7607-1004-101M | 100 \pm 20% | 0.30 | 0.70 |
| P7607-1004-121M | 120 \pm 20% | 0.33 | 0.65 |
| P7607-1004-151M | 150 \pm 20% | 0.36 | 0.55 |
| P7607-1004-181M | 180 \pm 20% | 0.51 | 0.50 |
| P7607-1004-221M | 220 \pm 20% | 0.56 | 0.45 |
| P7607-1004-271M | 270 \pm 20% | 0.70 | 0.40 |
| P7607-1004-331M | 330 \pm 20% | 0.76 | 0.37 |
| P7607-1004-391M | 390 \pm 20% | 1.05 | 0.32 |
| P7607-1004-471M | 470 \pm 20% | 1.10 | 0.30 |
| P7607-1004-561M | 560 \pm 20% | 1.25 | 0.28 |
| P7607-1004-681M | 680 \pm 20% | 1.70 | 0.24 |
| P7607-1004-821M | 820 \pm 20% | 1.90 | 0.23 |
| P7607-1004-102M | 1000 \pm 20% | 2.15 | 0.22 |

Notes

1. Inductance measured at 100kHz, 1V.
2. Rated Current, I_{DC} , is the current at which the temperature rise is 40°C (max) or the DC current at which the zero-current inductance drops by 10%, whichever is less.
3. Operating temperature -25°C to +85°C.
4. For non-standard inductance values, please contact Profec.

CONSTRUCTION



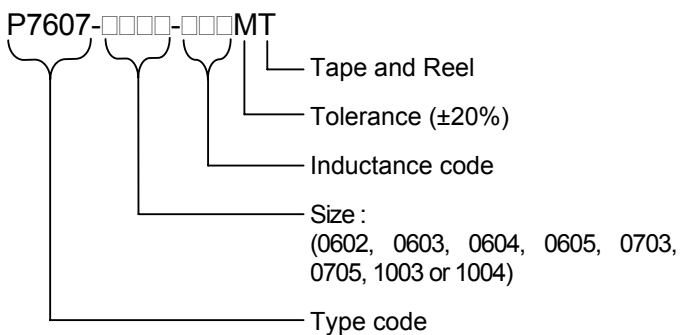


Dimensions shown are in millimetres.

Terminal plating JESD97 category = e3.

Recommended reflow solder profile:
2 minutes @ 150-200°C,
10 seconds @ 260°C;
time above 217°C 60 seconds maximum.

ORDERING CODE



ABSOLUTE MAXIMUM RATINGS

| | |
|--|-----------------|
| Storage temperature | -40°C to +105°C |
| Operating temperature | -25°C to +85°C |
| Soldering temperature profile peak | 260°C 10s |
| Handle in accordance with IPC/JEDEC J-STD-033 procedure for components classified as IPC/JEDEC J-STD-020 Moisture Sensitivity Level 2. | |