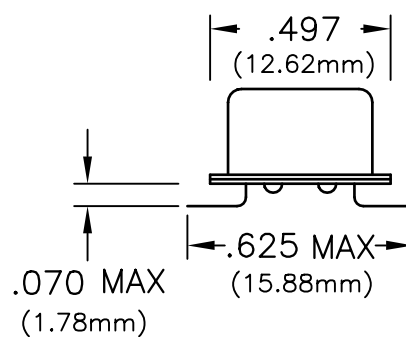
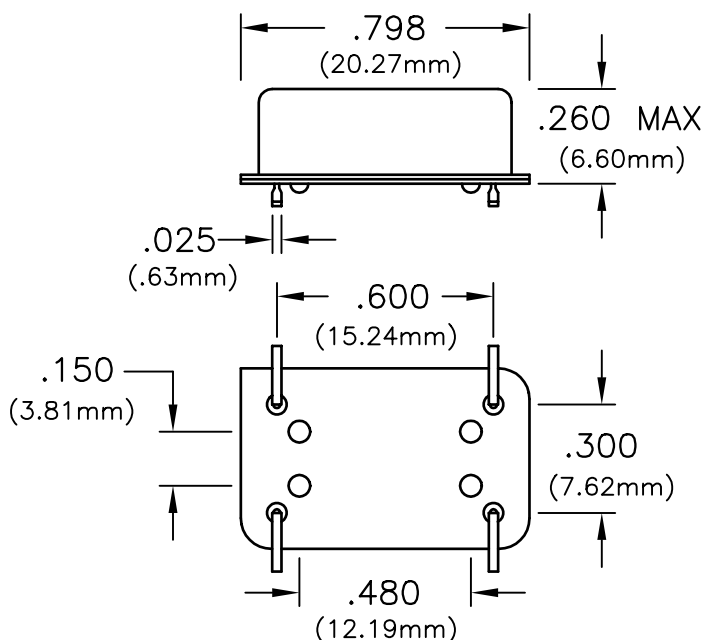


HCMOS/TTL COMPATIBLE TRI-STATE OUTPUT

SPECIFICATIONS	JHC15R8RC
Frequency Range	1MHz to 70MHz
Frequency Stability	±100ppm
	(Inclusive of calibration tolerance at 25°C, operating temperature range, input voltage change, load change, aging, shock and vibration)
Temperature Range	0°C to +70°C
Supply Voltage	+5Vdc ±10%
Supply Current	1 to 25M 25mA Maximum
	25 to 50M 45mA Maximum
	50 to 70M 60mA Maximum
Waveform	HCMOS or TTL Compatible Squarewave
Load	HCMOS - 50pF , TTL - 10TTL
Duty Cycle	45/55 Maximum Measured at 50% level
Output	Voh 4.5V Minimum
	Vol 0.5V Maximum
	Ioh -16mA
	Iol 16mA
Rise/Fall Time	7nS Maximum , 4nS Typical
Leakage (Disabled)	±10uA Maximum , ±0.5uA Typical
Input	Output E/D Time 100nS Typical
	Enable (Vih) 2.2V Minimum
	Disable (Vil) 0.8V Maximum
	Oscillator output is enabled with no connection on pin 1.
Start Up Time	10mS Maximum , 3mS Typical
Package	All metal, hermetically sealed, welded package



PIN	CONNECTION
1	ENABLE/DISABLE
7	Vcc (CASE GROUND)
8	OUTPUT
14	Vee (-)

Dimensional Tolerance ±.005