



AUM-16H

PRINCIPAL SPECIFICATIONS

Model Number	Mechanical Configuration	Weight oz. (g)
AUM-16H	Standard Model	2.5 (70)
AUMP-16H	Panel Mount Version	3.8 (106)
AUMP-16HKX	Panel Mount w/ Knob	3.8 (106)
AUMP-16HTX	Panel Mount w/ TC Dial	3.8 (106)

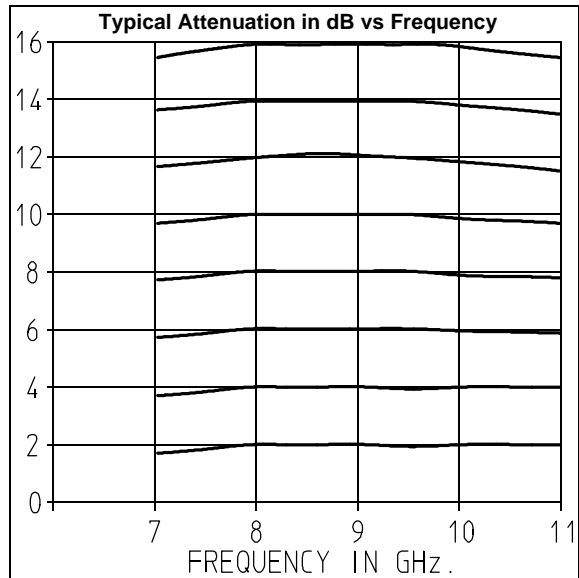
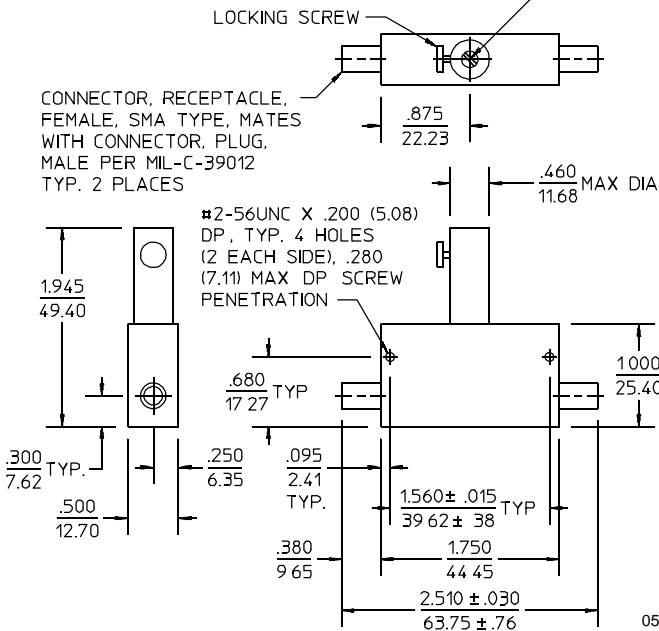
GENERAL SPECIFICATIONS

Frequency Range:	7.0 to 11.0 GHz
Attenuation Range:	0 - 15 dB
Insertion Loss:	0.5 dB max.
VSWR:	1.5:1 max.
Impedance:	50 Ω nom.
Attenuation Flatness:	±0.5 dB or ±5%
CW Power:	2 Watts max.
Connectors:	SMA Female per interface rqts of MIL-C-39012.
Operating Temp.:	- 55° to +85°C

AUM-16H

NOTES: 1. Tolerance on 3 place decimal ±.020(.51) except as noted.
2. Dimensions in inches over millimeters.
3. Counterclockwise shaft rotation increases attenuation.

SCREWDRIVER ADJUSTMENT SLOT, .030 ±.010 (.76 ±.25) WIDE X .125 ±.010 (3.18 ±.25) LONG, SEE NOTE 3



General Notes:

1. The AUM/AUMP-16H series has been designed for wideband ECM systems and other microwave applications in the 7 GHz to 11 GHz frequency band where precise attenuation must be maintained over a wide variety of military and laboratory environments. Applications include signal and LO power control, automatic level control and impedance matching.
2. The AUM/AUMP-16H series of attenuators use ferrite absorption of microwave energy for long term stability and high reliability. They meet the applicable requirements of MIL-A-24215 and can be supplied screened to meet specific military and commercial high reliability applications.

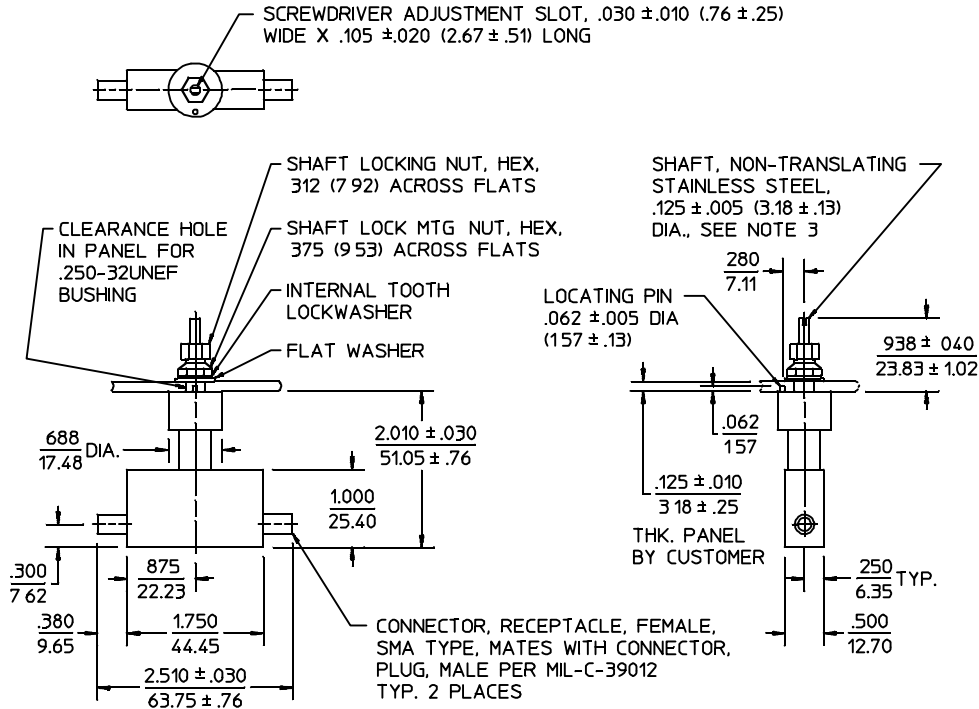
AUM & AUMP-16H

MICROWAVE ATTENUATORS

7 to 11 GHz / 0 to 15 dB / Ferrite / Excellent Temperature Stability / MIL-E-5400 Class 3 / SMA

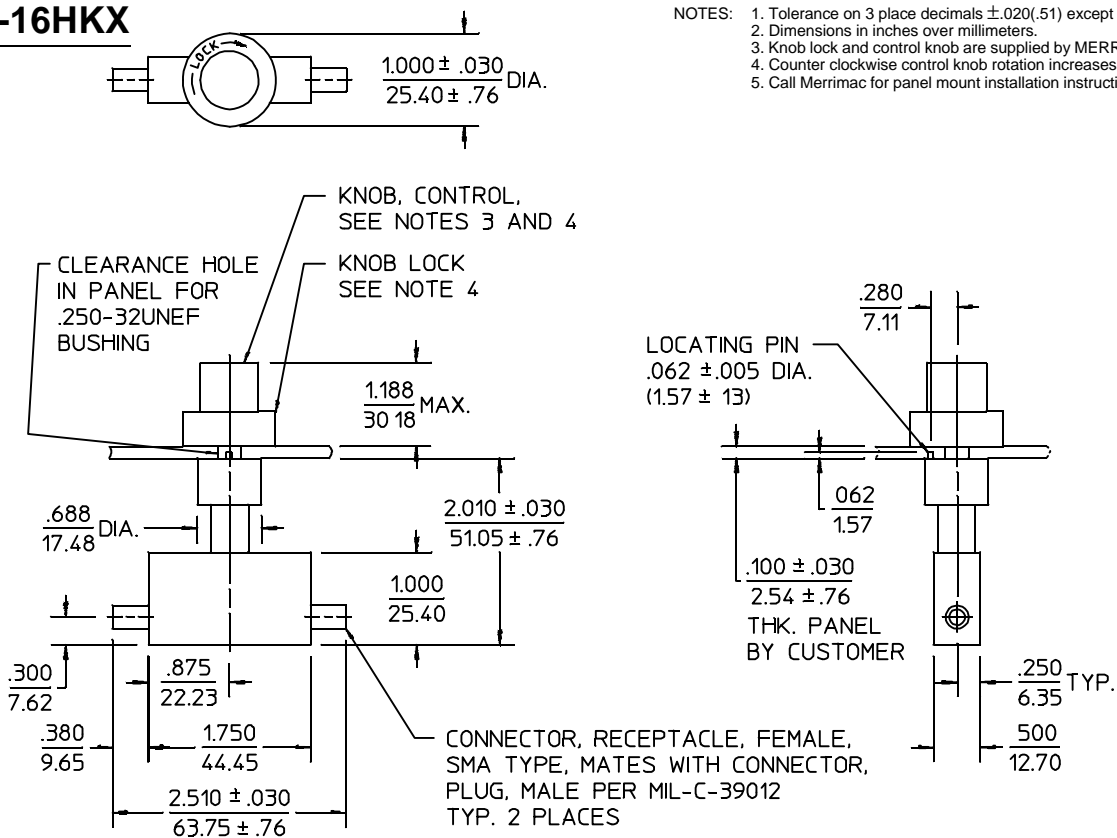
AUMP-16H

- NOTES:
1. Tolerance on 3 place decimals $\pm .020(.51)$ except as noted.
 2. Dimensions in inches over millimeters.
 3. Counter clockwise shaft rotation increases attenuation.
 4. Shaft lock mounting nut, shaft locking nut, flat washer and internal tooth lockwasher are supplied by MERRIMAC.
 5. Call Merrimac for panel mount installation instructions.

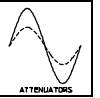


AUMP-16HKX

- NOTES:
1. Tolerance on 3 place decimals $\pm .020(.51)$ except as noted.
 2. Dimensions in inches over millimeters.
 3. Knob lock and control knob are supplied by MERRIMAC.
 4. Counter clockwise control knob rotation increases attenuation.
 5. Call Merrimac for panel mount installation instructions.

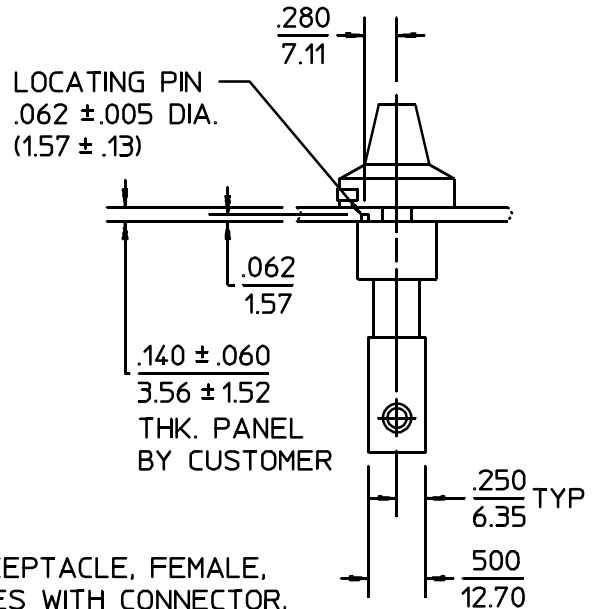
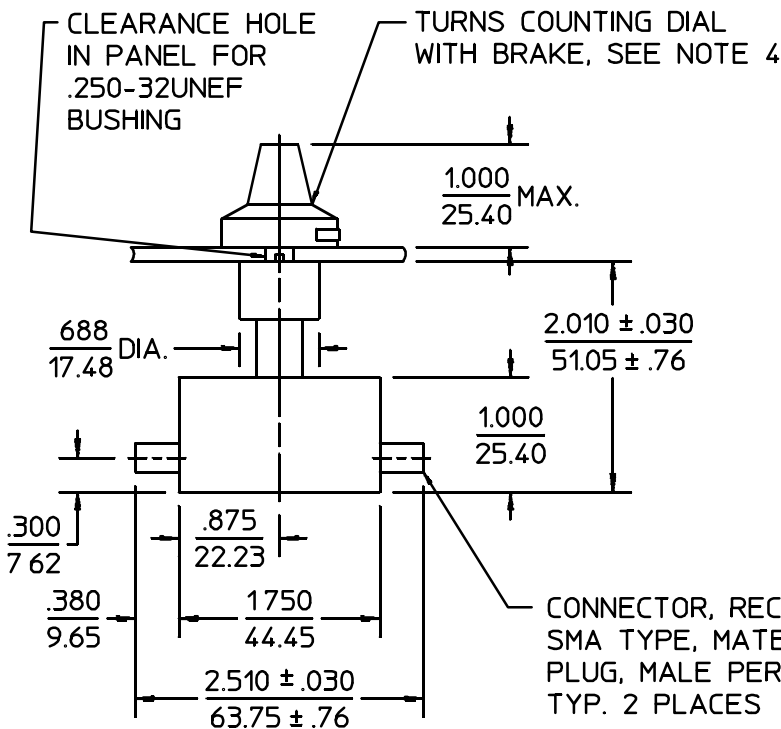
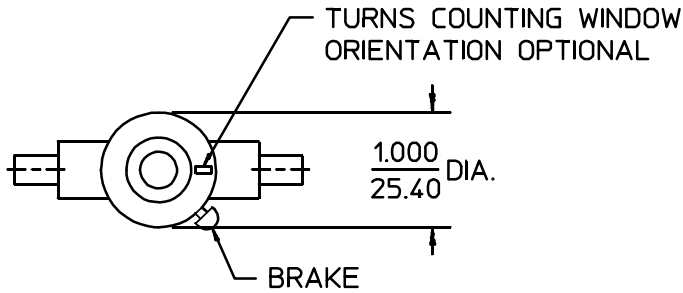


05Mar96



AUMP-16HTX

- NOTES: 1. Tolerance on 3 place decimals $\pm .020(.51)$ except as noted.
 2. Dimensions in inches over millimeters.
 3. Turns counting dial, mounting nut, anti-rotation washer are supplied by MERRIMAC.
 4. Counter clockwise rotation increases attenuation.
 5. Call Merrimac for panel mount installation instructions.



05Mar96