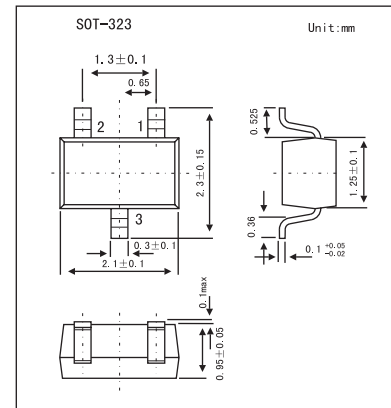


## PIN Diode for VHF,UHF,AGC Applications

## 1SV263

## ■ Features

- Very small-sized package facilitates high-density mounting and permits 1SV249-applied equipment to be made smaller.
- Small interterminal capacitance ( $C=0.23\text{pF}$  typ).
- Small forward series resistance ( $r_s=2.5\ \Omega$  typ).

■ Absolute Maximum Ratings  $T_a = 25^\circ\text{C}$ 

Parameter	Symbol	Value	Unit
Reverse Voltage	$V_R$	50	V
Forward Current	$I_F$	50	mA
Allowable Power Dissipation	$P$	100	mW
Junction Temperature	$T_j$	125	$^\circ\text{C}$
Storage temperature	$T_{\text{stg}}$	-55 to +125	$^\circ\text{C}$

■ Electrical Characteristics  $T_a = 25^\circ\text{C}$ 

Parameter	Symbol	Conditions	Min	Typ	Max	Unit
Reverse Voltage	$V_R$	$I_R = 10\ \mu\text{A}$	50			V
Reverse Current	$I_R$	$V_R = 50\text{V}$			0.1	$\mu\text{A}$
Forward Voltage	$V_F$	$I_F = 50\text{mA}$		0.91		V
Interterminal Capacitance	$C$	$V_R = 50\text{V}, f = 1\text{MHz}$		0.23		pF
Series Resistance	$r_s$	$I_F = 5\text{mA}, f = 100\text{MHz}$		4.0		$\Omega$
		$I_F = 10\text{mA}, f = 100\text{MHz}$		2.5		

## ■ Marking

Marking	JV
---------	----