

# Accessories & Service

## Mounting accessories

### Mounting accessories

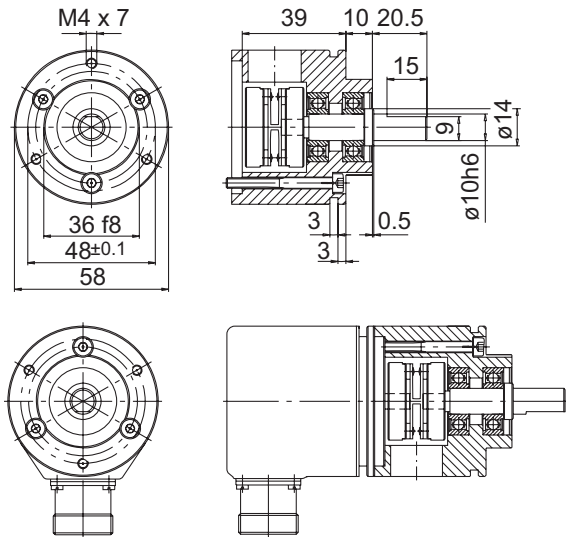


#### Part number

Z 119.035 Bearing flange for encoders with synchro flange

The bearing flange can be mounted at any encoder with synchro flange and 6 mm shaft. It considerably improves the encoder shaft load.  
Spring washer coupling and mounting screws are included in the delivery.

#### Dimensions



#### Technical data

Operating speed	≤10000 rpm
Max. shaft load	≤200 N axial ≤250 N radial
Spring washer	Radial offset: ±0.3 mm Angular shift: ±2.5° Axial offset: ±0.4 mm
Weight approx.	380 g
Material	Aluminium