



SANYO Semiconductors

DATA SHEET

LV2283VB — Bi-CMOS IC FM Transmitter IC with Stereo Modulation

Overview

The LV2283VB is an FM Transmitter IC. MPX block makes stereo modulated, composite signal from L and R sound inputs. RF VCO includes FM modulation function. PLL synthesizer determines RF output frequency with I²C control.

Application

- Portable Memory Player
- Portable HDD Player
- Wireless Headphone

Features

- (Audio) Pilot tone system stereo modulation, audio attenuation
- (RF) VCO, programmable gain driver amplifier
- (PLL) 70 to 110MHz 100kHz step
- (Bus control) I²C bus control
- (Regulator) 2.8V LDO regulator

Specifications

Absolute Maximum Ratings at Ta = 25°C

Parameter	Symbol	Conditions	Ratings	Unit
Maximum supply voltage	V _{CC} max	Pin 6	7.0	V
Maximum input voltage	V _{IN} max		V _{CC} +0.3	V
Minimum input voltage	V _{IN} min		-0.3	V
Allowable power dissipation	P _d max	Ta ≤ 85°C, Mounted on a specified board*	500	mW
Operating temperature	T _{opr}		-40 to +85	°C
Storage temperature	T _{stg}		-55 to +150	°C

* Specified board : 114.3mm×76.1mm×1.6mm, glass epoxy circuit board.

■ Any and all SANYO Semiconductor Co.,Ltd. products described or contained herein are, with regard to "standard application", intended for the use as general electronics equipment (home appliances, AV equipment, communication device, office equipment, industrial equipment etc.). The products mentioned herein shall not be intended for use for any "special application" (medical equipment whose purpose is to sustain life, aerospace instrument, nuclear control device, burning appliances, transportation machine, traffic signal system, safety equipment etc.) that shall require extremely high level of reliability and can directly threaten human lives in case of failure or malfunction of the product or may cause harm to human bodies, nor shall they grant any guarantee thereof. If you should intend to use our products for applications outside the standard applications of our customer who is considering such use and/or outside the scope of our intended standard applications, please consult with us prior to the intended use. If there is no consultation or inquiry before the intended use, our customer shall be solely responsible for the use.

■ Specifications of any and all SANYO Semiconductor Co.,Ltd. products described or contained herein stipulate the performance, characteristics, and functions of the described products in the independent state, and are not guarantees of the performance, characteristics, and functions of the described products as mounted in the customer's products or equipment. To verify symptoms and states that cannot be evaluated in an independent device, the customer should always evaluate and test devices mounted in the customer's products or equipment.

SANYO Semiconductor Co., Ltd.

TOKYO OFFICE Tokyo Bldg., 1-10, 1 Chome, Ueno, Taito-ku, TOKYO, 110-8534 JAPAN

LV2283VB

Recommended Operating Conditions at Ta = 25°C

Parameter	Symbol	Conditions	Ratings	Unit
Recommended supply voltage	V _{CC}	Pin 6	3.3	V
Operating supply voltage range	V _{CC op}	Pin 6	2.8 to 5.5	V

AC Characteristics Ta = 25°C, V_{CC} = 3.3V, I²C bits = Default state, L and R input = 1kHz, 450mVrms, unless otherwise noted

Parameter	Symbol	Conditions	Ratings			Unit
			min	typ	max	
Circuit current	I _{CC}	No input signal, Pin 6 current		8	10	mA
Standby current	ISTB	No input signal, I ² C bit "STB" = "1", Pin 6 current			1.0	μA

Audio and MPX Blocks

Parameter	Symbol	Conditions	Ratings			Unit
			min	typ	max	
Maximum audio input	VA max	Pin 1 and 24 input			900	mVrms
Audio input frequency	FAF	Pin 1 and 24 input	20		15k	Hz
Channel separation	SEP	Pin 7, composite output, L→R, R→L	20	35		dB
Channel balance	CB	Pin 7, composite output	-2	0	2	dB
Total harmonic distortion	THD	Pin 7, composite output		0.1	0.3	%
Pilot tone output level	PMOD	I ² C bits "ST" = "1"	0.5	0.85	1.2	mVp-p
Composite output level	MPXOUT		3.3	3.8	4.3	mVrms
Audio mute	MUTE	I ² C bit "MUTE" = "1"	30	35		dB
Audio attenuation adjustment step	ATTSTEP	I ² C bit "ATT2 – ATT0" = "000" to "111", totally 8 steps.	1.5	2	2.5	dB
Crystal oscillator frequency (1)	FXOSC (1)	Pin 21 and Pin 22		76		kHz

RF Blocks

Parameter	Symbol	Conditions	Ratings			Unit
			min	typ	max	
RF output	RFOUT	f = 98MHz, I ² C bit "RF2 - RF0" = "011", Pin 12 output	109	112	115	dBμV
RF output adjustment step	RFSTEP	I ² C bit "RF2 – RF0" = "000" to "111", totally 8 steps. Pin 12 relative output.	0.4	0.9	1.4	dB
RF frequency	FRF	100kHz step	70		110	MHz

PLL Blocks

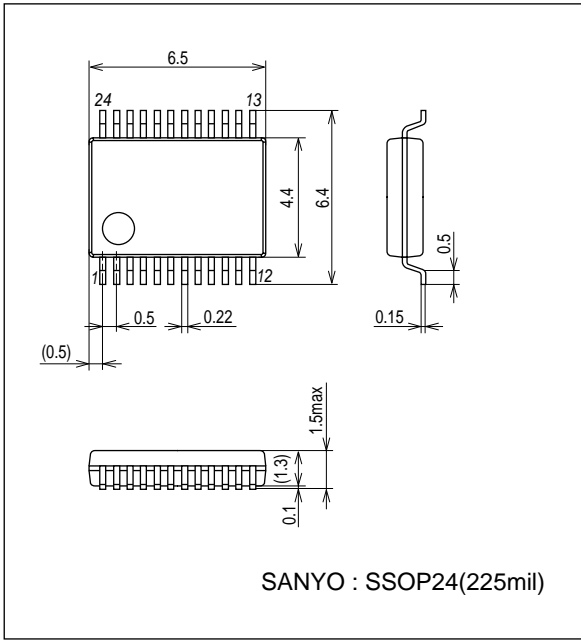
Parameter	Symbol	Conditions	Ratings			Unit
			min	typ	max	
I ² C input "High" voltage	VH		0.8V _{CC}		V _{CC} +0.3	V
I ² C input "Low" voltage	VL		-0.3		0.2V _{CC}	V
19kHz output voltage	V19K	Pin 20. 19kHz output. I ² C bit "19K" = "1". Load impedance = 47kΩ.	0.6V _{CC}	0.8V _{CC}		Vp-p
RF input frequency	FPLL	Step = 100kHz, See table 1	70		110	MHz
Crystal oscillator frequency (2)	FXOSC (2)	Pin 16		16		MHz
External clock frequency	FEXT	External clock injection to Pin 13 instead of 16MHz crystal oscillation. When the LSI is standby mode, external clock should be stop.	1		24	MHz
CP output current	ICP	CP voltage = 1.4V		30		μA

LV2283VB

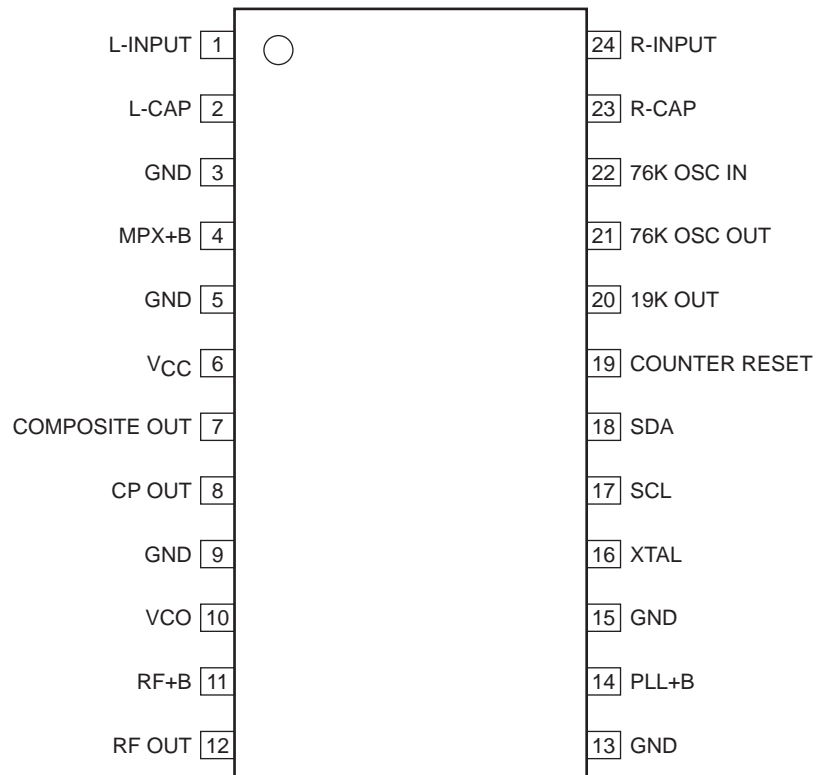
Package Dimensions

unit : mm (typ)

3287

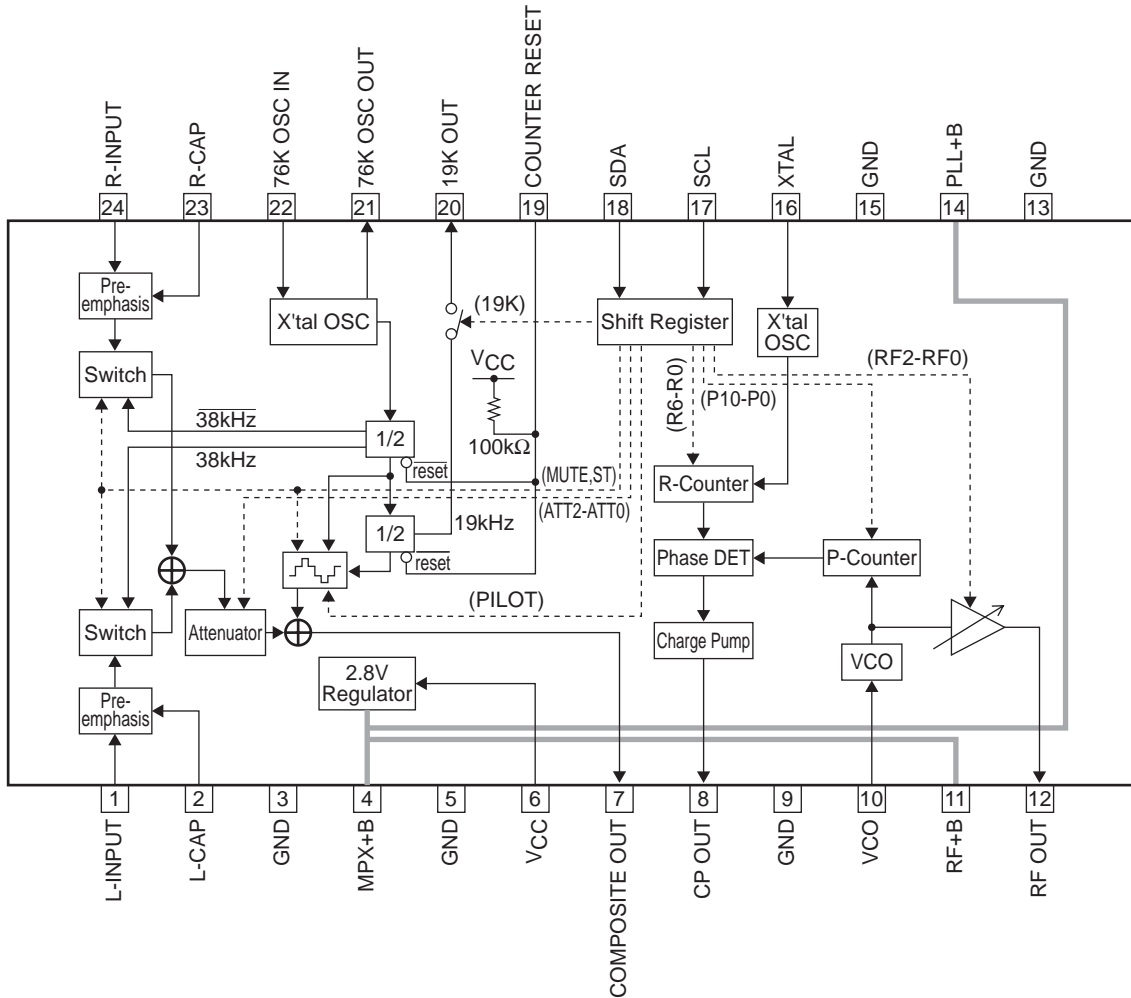


Pin Assignment

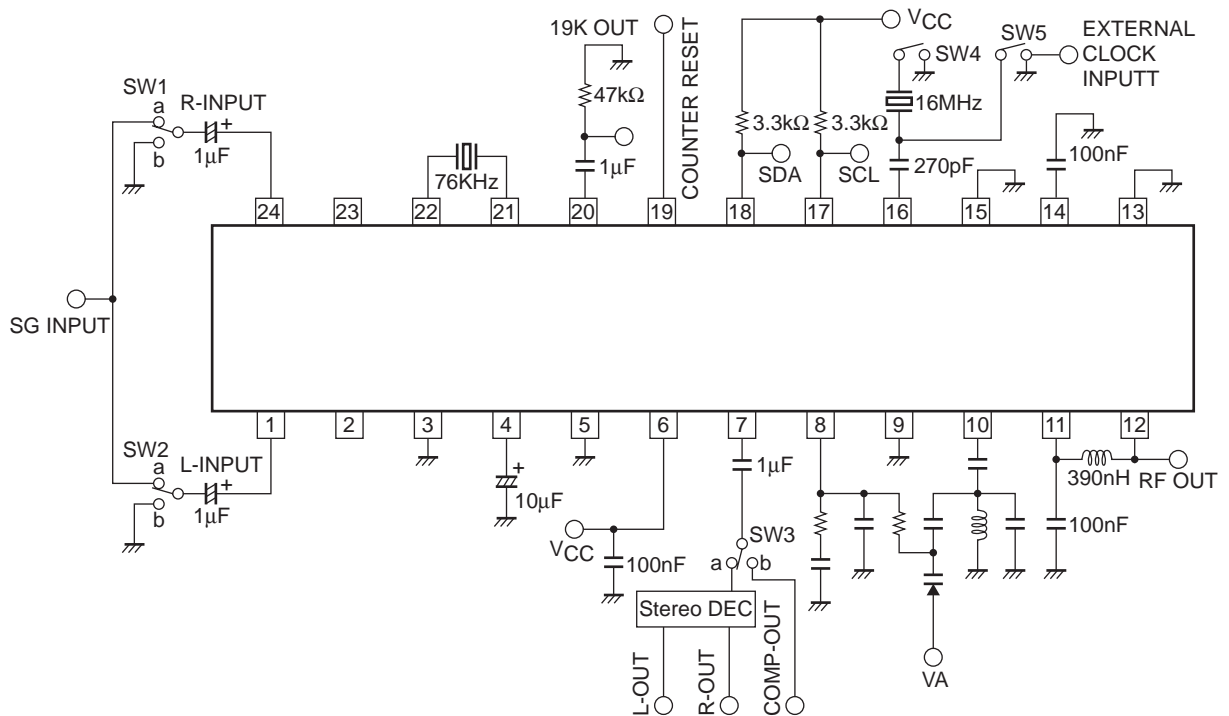


LV2283VB

Block Diagram



AC Testing Circuit



LV2283VB

Pin Description

Pin No.	Pin Name	DC Voltage (V)	Description	Equivalent Circuit
1	L-INPUT	0	Left channel input. If audio source DC voltage is not 0V, AC coupling capacitance is required. Pre-emphasis capacitance should be required between pin 1 (24) and 2 (23).	
2	L-CAP	0	See Pin 1	
3	GND	0		
4	MPX+B	2.8	LDO regulator output for audio frequency and MPX blocks. External decoupling capacitance is required.	
5	GND	0		
6	VCC	3.3		
7	COMPOSITE OUT	0.05	Stereo modulated output.	
8	CP OUT	-	Charge pump current output.	
9	GND	0		

Continued on next page.

LV2283VB

Continued from preceding page.

Pin No.	Pin Name	DC Voltage (V)	Description	Equivalent Circuit
10	VCO	2.2	Transistor BASE terminal for Colpitz oscillator.	
11	RF+B	2.8	LDO regulator output for RF blocks.	
12	RF OUT	2.8	Collector output. Inductance should be connected Between pin 11 and pin 12 for getting resonant frequency and making pin12 DC bias 2.8V.	
13	GND	0		
14	PLL+B	2.8	LDO regulator output for digital blocks.	
15	GND	0		

Continued on next page.

LV2283VB

Continued from preceding page.

Pin No.	Pin Name	DC Voltage (V)	Description	Equivalent Circuit
16	XTAL	2.0	16MHz crystal is needed for PLL reference frequency. If external clock is injected to Pin 16, frequency should be from 1MHz to 24MHz and N (integer) × 200kHz. When the IC is Standby mode, external clock should be stop.	
17	SCL	-	I ² C clock input.	
18	SDA	-	I ² C data input.	
19	COUNTER RESET	3.3	Usually pin 19 should be kept "Logic High" or opened (pull up 100kΩ makes pin 19 "Logic High" automatically). When pin 19 is "Logic Low" level, internal frequency counter from 76kHz to 19kHz is reset.	
20	19K OUT	-	19kHz output (same phase as pilot tone). When I2C bit "19K"=0, Pin 20 is kept "Logic Low" level.	
21	76K OSC OUT	2.0	For stereo modulator pilot signal and sub carrier. 76kHz crystal should be connected between Pin 21 and Pin 22	

Continued on next page.

LV2283VB

Continued from preceding page.

Pin No.	Pin Name	DC Voltage (V)	Description	Equivalent Circuit
22	76K OSC IN	0.7	See Pin 21	See Pin 21
23	R-CAP	0	See Pin 1	See Pin 21
24	R-INPUT	0	See Pin 1	See Pin 21

I²C Bus Definition

Table 1. I²C Bus Write Data Format

Name	Byte	Bit								ACK
		MSB (1)				LSB				
Address Byte	1	AD7	AD6	AD5	AD4	AD3	AD2	AD1	R/W	A
		1	1	0	1	0	0	0	0	
Control Byte 1	2	P10	P9	P8	P7	P6	P5	P4	P3	A
		0	1	1	1	1	0	1	0	
Control Byte 2	3	P2	P1	P0	19K	ST	PILOT	STB	MUTE	A
		1	0	0	0	1	1	0	0	
Control Byte 3	4	RES1	RES0	RF2	RF1	RF0	ATT2	ATT1	ATT0	A
		0	0	1	1	1	0	1	1	
Control Byte 4	5	R6	R5	R4	R3	R2	R1	R0	TEST	A
		1	0	1	0	0	0	0	0	

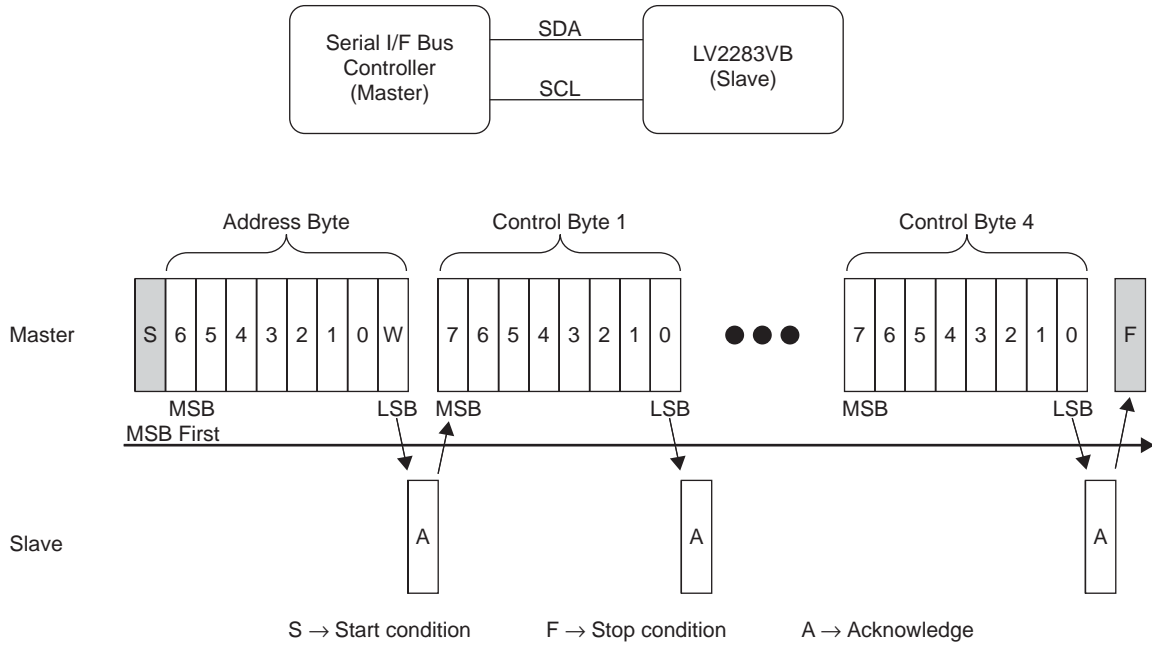
(1) : MSB is transmitted first.

Table 2. I²C Write Mode Description

Bit	Name	Description
AD7 – AD1	Address bit	LV2283VB requires address bits.
R/W	Read/Write	"0" for Write mode (Write mode only).
A	Acknowledge	
P10 – P0	Programmable counter	11 bit Programmable counter. P0 = LSB, P10 = MSB. RF Frequency = $(P10 \times 2^{10} + P9 \times 2^9 + \dots + P1 \times 2^1 + P0) \times 100\text{kHz}$ Default state = "01111010100" (980)
19K	19kHz output	19K OUT (Pin 20) ON / OFF. "19K" = "0" for no output. "1" for 19kHz output (same phase as pilot tone). Default state = "0"
ST	MONO/ST selection	Monaural/Stereo transmission mode selection. "ST" is set "0" for monaural mode (no pilot tone), "1" for stereo transmission. Default state = "1"
PILOT	Pilot tone output	"1" for normal operation (default). "0" for NO pilot tone in composite output even if ST bit = "1" (Stereo mode).
STB	Standby	"1" for standby mode. Default state = "0" for normal operation.
MUTE	Audio mute	"1" for Audio mute. Default state = "0" for normal operation.
RES1, RES0	Reserved bits	Reserved bits. Default state = "00" for normal operation.
RF2 – RF0	RF output adjustment	RF output voltage adjustment with 8 degree, 1dB steps. "RF2, RF1, RF0" = "111" for maximum. "000" is minimum RF output. Default state = "111"
ATT2 – ATT0	Audio attenuator	Audio attenuator for FM modulation fine adjustment is set by "ATT2, ATT1, ATT0" with 8 degree, 2dB steps. "111" is for 0dB attenuation. "000" is for 14dB attenuation. Default state = "011".
R6 – R0	Reference counter	7 bit Programmable counter. R0 = LSB, R6 = MSB. Reference frequency should be set 100kHz. $\{\text{Crystal oscillator frequency (Pin 16)}\} / \{(R6 \times 2^6 + R5 \times 2^5 + \dots + R1 \times 2^1 + R0) \times 2\} = 100\text{kHz}$. Default state = "1010000" (80 x 2).
TEST	Test mode	For IC testing. Set "0" for normal operation. "1" for counter testing mode. Default state = "0"

LV2283VB

I²C Bus Operation



Time chart

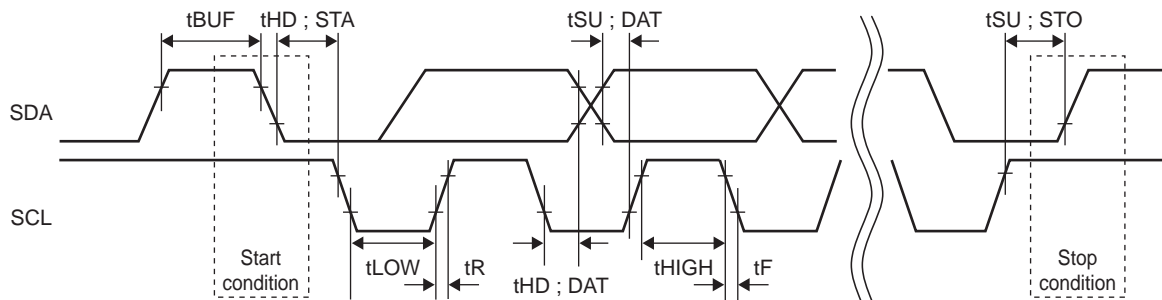


Table 3. Timing specification

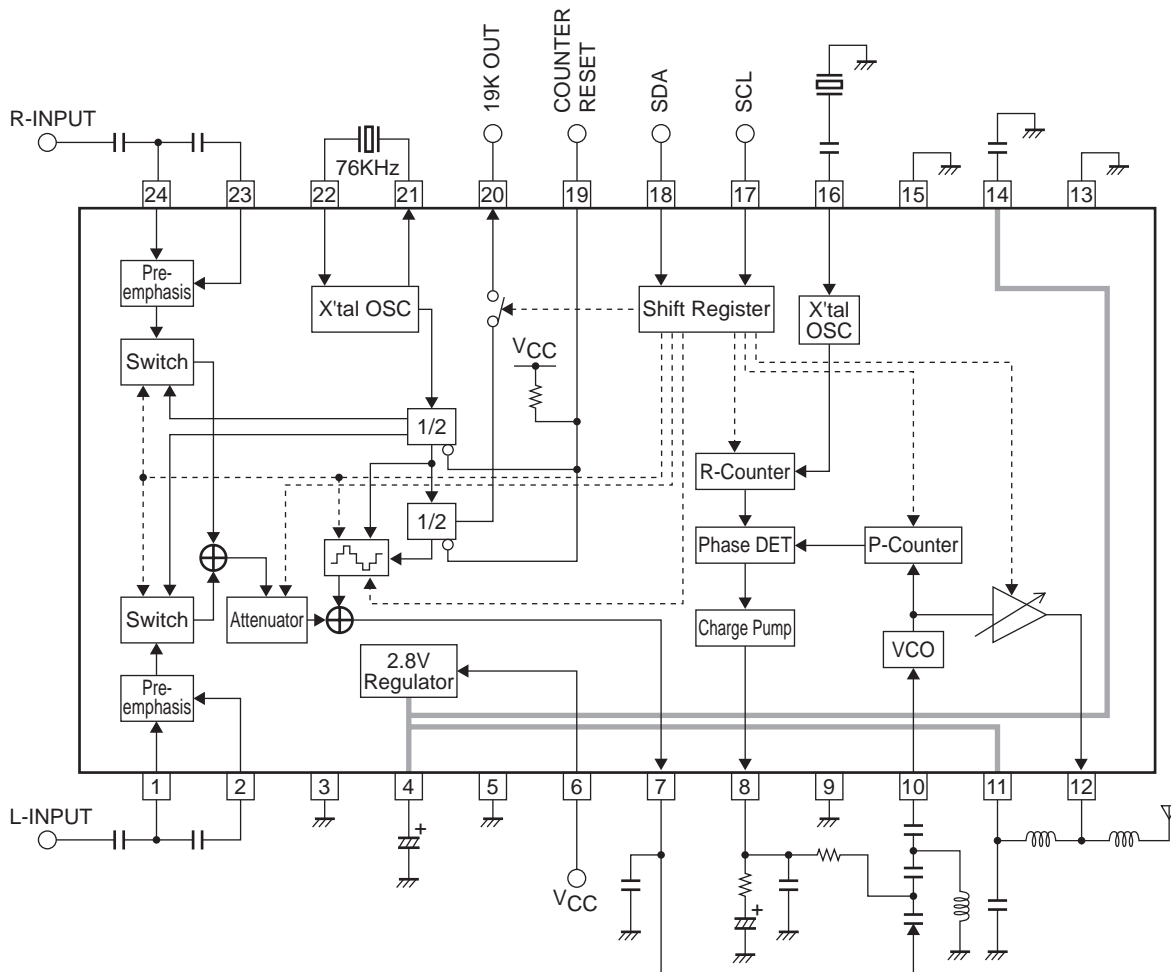
Parameter	Symbol	Ratings			Unit
		min	typ	max	
SCL clock frequency	fSCL			100	kHz
Bus free time between a STOP and START condition	tBUF	4.7			μs
Hold time START condition	tHD ; STA	4.0			μs
LOW period of the SCL clock	tLOW	4.7			μs
HIGH period of the SCL clock	tHIGH	4.0			μs
Data hold time	tHD ; DAT	0.0			μs
Data set-up time	tSU ; DAT	250			ns
Rise time of both SDA and SCL signals	tR			1000	ns
Fall time of both SDA and SCL signals	tF			300	ns
Set-up time for STOP condition	tSU ; STO	4.0			μs

I²C Bus AC Characteristics : Temp=25°C V_{CC} = 3.3V

Note : I²C Bus is a registered trademark of the Philips Co..

LV2283VB

Application Circuit



- SANYO Semiconductor Co.,Ltd. assumes no responsibility for equipment failures that result from using products at values that exceed, even momentarily, rated values (such as maximum ratings, operating condition ranges, or other parameters) listed in products specifications of any and all SANYO Semiconductor Co.,Ltd. products described or contained herein.
- SANYO Semiconductor Co.,Ltd. strives to supply high-quality high-reliability products, however, any and all semiconductor products fail or malfunction with some probability. It is possible that these probabilistic failures or malfunction could give rise to accidents or events that could endanger human lives, trouble that could give rise to smoke or fire, or accidents that could cause damage to other property. When designing equipment, adopt safety measures so that these kinds of accidents or events cannot occur. Such measures include but are not limited to protective circuits and error prevention circuits for safe design, redundant design, and structural design.
- In the event that any or all SANYO Semiconductor Co.,Ltd. products described or contained herein are controlled under any of applicable local export control laws and regulations, such products may require the export license from the authorities concerned in accordance with the above law.
- No part of this publication may be reproduced or transmitted in any form or by any means, electronic or mechanical, including photocopying and recording, or any information storage or retrieval system, or otherwise, without the prior written consent of SANYO Semiconductor Co.,Ltd.
- Any and all information described or contained herein are subject to change without notice due to product/technology improvement, etc. When designing equipment, refer to the "Delivery Specification" for the SANYO Semiconductor Co.,Ltd. product that you intend to use.
- Information (including circuit diagrams and circuit parameters) herein is for example only; it is not guaranteed for volume production.
- Upon using the technical information or products described herein, neither warranty nor license shall be granted with regard to intellectual property rights or any other rights of SANYO Semiconductor Co.,Ltd. or any third party. SANYO Semiconductor Co.,Ltd. shall not be liable for any claim or suits with regard to a third party's intellectual property rights which has resulted from the use of the technical information and products mentioned above.

This catalog provides information as of December, 2007. Specifications and information herein are subject to change without notice.