

---

# ST-NXP Wireless

## IMPORTANT NOTICE

Dear customer,

As from August 2<sup>nd</sup> 2008, the wireless operations of STMicroelectronics have moved to a new company, ST-NXP Wireless.

As a result, the following changes are applicable to the attached document.

- **Company name - STMicroelectronics NV** is replaced with **ST-NXP Wireless**.
- **Copyright** - the copyright notice at the bottom of the last page “© STMicroelectronics 200x - All rights reserved”, shall now read: “© ST-NXP Wireless 200x - All rights reserved”.
- **Web site** - <http://www.st.com> is replaced with <http://www.stnwireless.com>
- **Contact information** - the list of sales offices is found at <http://www.stnwireless.com> under Contacts.

If you have any questions related to the document, please contact our nearest sales office. Thank you for your cooperation and understanding.

ST-NXP Wireless

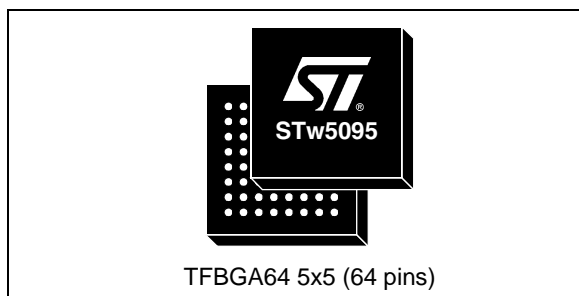
## Low-power asynchronous stereo audio Codec with integrated power amplifiers

### Features

- 20 bit audio resolution, 8kHz to 96kHz independent rate ADC and DAC
- Asynchronous sampling ADC and DAC: they do not require oversampled clock and information on the audio data sampling frequency (fs). Jitter tolerant fs
- Wide master clock range: from 4MHz to 32MHz
- I<sup>2</sup>C/SPI compatible control I/F
- Stereo headphones drivers, handsfree loudspeaker driver, line out drivers
- Mixable analog line inputs
- Voice filters: 8/16kHz with voice channel filters
- Automatic gain control for microphone and line-in inputs
- Two programmable master/slave serial audio data interfaces (I<sup>2</sup>S, SPI, PCM compatible and other formats)
- Frequency programmable clock outputs
- Multibit  $\Sigma\Delta$  modulators with data weighted averaging ADC and DAC
- DSP functions for bass-treble-volume control, mute, mono/stereo selection, voice channel filters, de-emphasis filter and dynamic compression.
- 93 dB dynamic range ADC, 0.001% THD with full scale output @ 2.7V
- 95 dB dynamic range DAC, 0.02% THD performance @ 2.7V over 16 $\Omega$  load

### Analog inputs

- Selectable stereo differential or single-ended microphone amplifier inputs with 51dB range programmable gain
- One microphone biasing output
- Microphone plug-in and push-button detection input



- Selectable stereo differential or single-ended line inputs with 38 dB range programmable gain

### Analog output drivers

- Stereo headphones outputs driving capability: 40 mW (0.1% THD) over 16 $\Omega$  with 40 dB range programmable gain
- Common mode voltage headphones driver (phantom ground)
- Balanced loudspeaker output driving capability: up to 500mW ( $V_{CCLS}>3.5V$ ; 1% THD) over 8 $\Omega$  with 30dB range programmable gain
- Transient suppression filter during power up and power down
- Balanced/unbalanced stereo line outputs driving capability 1k $\Omega$

### Applications

- Digital cellular telephones with mp3 player, stereo recorder, fm radio stereo listening and recording functions, live music recording
- Portable digital players and recorders

### Description

STw5095 is a low power asynchronous stereo audio CODEC device with headphones amplifiers for high quality audio listening and recording.

# Contents

- 1 Overview ..... 7**
- 2 Functional block diagram ..... 8**
- 3 Pin description ..... 9**
- 4 Functional description ..... 12**
  - 4.1 Power supply ..... 12
  - 4.2 Device programming ..... 12
  - 4.3 Power up ..... 13
  - 4.4 Master clock ..... 14
  - 4.5 Data rates ..... 15
  - 4.6 Clock generators and master mode function ..... 15
  - 4.7 Audio digital interfaces ..... 15
  - 4.8 Analog inputs ..... 17
  - 4.9 Analog output drivers ..... 18
  - 4.10 Analog mixer ..... 19
  - 4.11 AD path ..... 19
  - 4.12 DA path ..... 19
  - 4.13 Analog-only operation ..... 19
  - 4.14 Automatic Gain Control (AGC) ..... 20
  - 4.15 Interrupt request: IRQ pin ..... 20
  - 4.16 Headset plug-in and push-button detection ..... 21
  - 4.17 Microphone biasing circuit ..... 21
- 5 Control registers ..... 22**
  - 5.1 Summary ..... 22
  - 5.2 Supply and power control ..... 23
  - 5.3 Gains ..... 25
  - 5.4 DSP control ..... 29
  - 5.5 Analog functions ..... 32
  - 5.6 Digital audio interfaces master mode and clock generators ..... 34

5.7	Digital audio interfaces	36
5.8	Digital filters, software reset and master clock control	38
5.9	Interrupt control and control interface SPI out mode	38
5.10	AGC	41
<b>6</b>	<b>Control interface and master clock</b>	<b>43</b>
6.1	Control interface I2C mode	43
6.2	Control interface SPI mode	44
6.3	Master clock timing	46
<b>7</b>	<b>Audio interfaces</b>	<b>47</b>
<b>8</b>	<b>Timing specifications</b>	<b>51</b>
<b>9</b>	<b>Operative ranges</b>	<b>52</b>
9.1	Absolute maximum ratings	52
9.2	Operative supply voltage	52
9.3	Power dissipation	53
9.4	Typical power dissipation	53
<b>10</b>	<b>Electrical characteristics</b>	<b>55</b>
10.1	Digital interfaces	55
10.2	AMCK with sinusoidal input	55
10.3	Analog interfaces	56
10.4	Headset plug-in and push-button detector	56
10.5	Microphone bias	57
10.6	Power supply rejection ratio	57
10.7	LS gain limiter	57
<b>11</b>	<b>Analog input/output operative ranges</b>	<b>58</b>
11.1	Analog levels	58
11.2	Microphone input levels	58
11.3	Line input levels	59
11.4	Line output levels	59
11.5	Power output levels HP	60

---

11.6	Power output levels LS .....	60
<b>12</b>	<b>Stereo audio ADC specifications .....</b>	<b>61</b>
<b>13</b>	<b>Stereo audio DAC specifications .....</b>	<b>62</b>
<b>14</b>	<b>AD to DA mixing (sidetone) specifications .....</b>	<b>63</b>
<b>15</b>	<b>Stereo analog-only path specifications .....</b>	<b>64</b>
<b>16</b>	<b>ADC (TX) and DAC (RX) specifications with voice filters selected ...</b>	<b>65</b>
<b>17</b>	<b>Typical performance plots .....</b>	<b>66</b>
<b>18</b>	<b>Application schematics .....</b>	<b>69</b>
<b>19</b>	<b>Package outline .....</b>	<b>70</b>
<b>20</b>	<b>Ordering information .....</b>	<b>71</b>
<b>21</b>	<b>Revision history .....</b>	<b>71</b>

## List of tables

Table 1.	Pin description . . . . .	9
Table 2.	Control interface timing with I <sup>2</sup> C format . . . . .	44
Table 3.	Control interface timing with SPI format . . . . .	45
Table 4.	AMCK timing . . . . .	46
Table 5.	Audio interface signals timing . . . . .	50
Table 6.	Absolute maximum ratings . . . . .	52
Table 7.	Operative power supply . . . . .	52
Table 8.	Power dissipation . . . . .	53
Table 9.	Typical power dissipation - No master clock. . . . .	53
Table 10.	Typical power dissipation - Master clock AMCK = 13 MHz . . . . .	54
Table 11.	Digital interfaces electrical characteristics . . . . .	55
Table 12.	AMCK with sinusoidal input . . . . .	55
Table 13.	Analog interfaces . . . . .	56
Table 14.	Headset plug-in and push-button detector . . . . .	56
Table 15.	Microphone bias . . . . .	57
Table 16.	Power supply ratio . . . . .	57
Table 17.	LS gain limiter . . . . .	57
Table 18.	Reference full scale analog levels . . . . .	58
Table 19.	Absolute levels at pins connected to preamplifiers . . . . .	58
Table 20.	Absolute levels at pins connected to the line-in amplifiers . . . . .	59
Table 21.	Absolute levels at OLP/OLN, ORP/ORN . . . . .	59
Table 22.	Absolute levels at HPL - HPR . . . . .	60
Table 23.	Absolute levels at LSP - LSN (differential) . . . . .	60
Table 24.	Stereo audio ADC specifications . . . . .	61
Table 25.	Stereo audio DAC specifications . . . . .	62
Table 26.	AD to DA mixing (sidetone) specifications . . . . .	63
Table 27.	Stereo analog-only path specifications . . . . .	64
Table 28.	ADC and DCA specifications with voice filters selected . . . . .	65
Table 29.	Package dimensions (mm) . . . . .	70
Table 30.	Order codes . . . . .	71
Table 31.	Document revision history . . . . .	71

## List of figures

Figure 1.	Pin configuration (top view) . . . . .	7
Figure 2.	STw5095 block diagram . . . . .	8
Figure 3.	Power up block diagram . . . . .	14
Figure 4.	Plug-in and push-button detection application note . . . . .	21
Figure 5.	Control interface I2C format . . . . .	43
Figure 6.	Control interface: I2C format timing . . . . .	43
Figure 7.	Control interface SPI format . . . . .	44
Figure 8.	Control interface: SPI format timing . . . . .	45
Figure 9.	Audio interfaces formats: delayed, left and right justified . . . . .	47
Figure 10.	Audio interfaces formats: DSP, SPI and PCM . . . . .	48
Figure 11.	Audio interface timings: Master mode . . . . .	49
Figure 12.	Audio interface timing: Slave mode . . . . .	49
Figure 13.	A.C. testing input-output waveform. . . . .	51
Figure 14.	Bass treble control, de-emphasis filter . . . . .	66
Figure 15.	Dynamic compressor transfer function . . . . .	66
Figure 16.	ADC audio path measured filter response . . . . .	66
Figure 17.	ADC in band audio path measured filter response . . . . .	66
Figure 18.	DAC digital audio filter characteristics . . . . .	66
Figure 19.	DAC in band digital audio filter characteristics . . . . .	66
Figure 20.	ADC 96 kHz audio path measured filter response . . . . .	67
Figure 21.	ADC 96 kHz audio in-band measured filter response. . . . .	67
Figure 22.	ADC voice TX path measured filter response. . . . .	67
Figure 23.	ADC voice TX path measured in-band filter response . . . . .	67
Figure 24.	DAC voice (RX) digital filter characteristics . . . . .	67
Figure 25.	DAC voice (RX) in-band digital filter characteristics . . . . .	67
Figure 26.	ADC path FFT. . . . .	68
Figure 27.	ADC S/N versus input-level . . . . .	68
Figure 28.	DAC path FFT. . . . .	68
Figure 29.	DAC S/N versus input-level . . . . .	68
Figure 30.	Analog path FFT. . . . .	68
Figure 31.	Analog path S/N versus input-level. . . . .	68
Figure 32.	STw5095 application schematics . . . . .	69
Figure 33.	Package mechanical data. . . . .	70

# 1 Overview

The STw5095 control registers are accessed through a selectable I<sup>2</sup>C-bus compatible or SPI compatible interface.

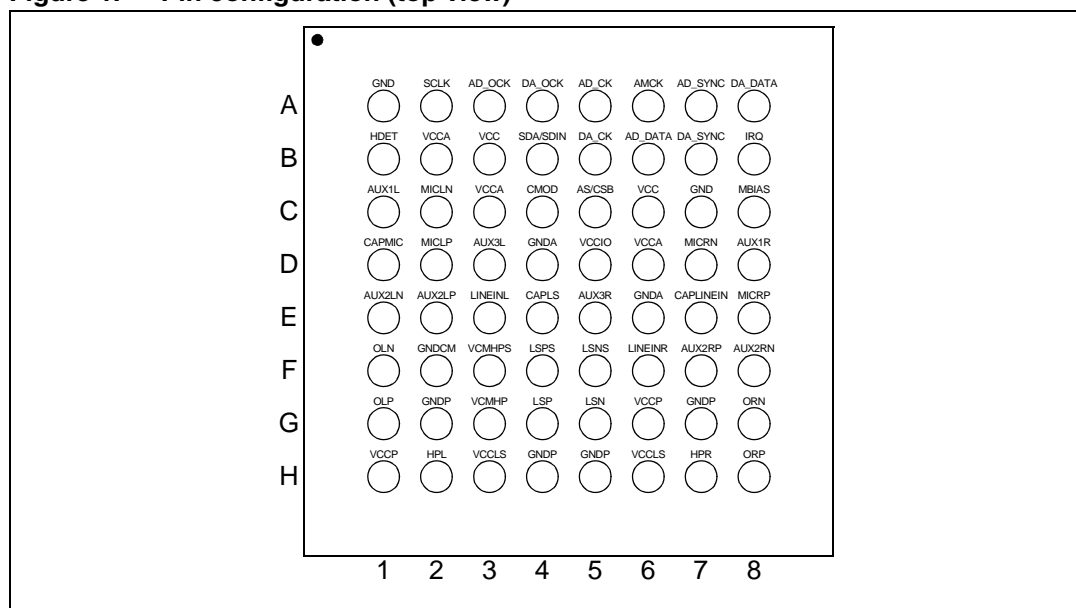
The STw5095 asynchronous stereo audio CODEC is designed to easily fit in most audio systems because it supports an extended master clock range (any value between 4 MHz and 32 MHz) and at the same time it supports any audio data rate (independent in AD and DA paths) from 8 kHz to 48 kHz and from 88 kHz to 96 kHz, moreover it can tolerate jitter on audio data without degrading performance. The audio data serial interfaces (for AD and DA) can be Master or Slave, are I<sup>2</sup>S compatible and they support other formats that can easily interface to standard serial ports. The two audio interfaces can be used as a single bidirectional interface. Two frequency programmable clock sources are available to generate the master clock for the audio sub-system of other devices. The internal D to A and A to D converters work with up to 24 bit resolution.

The supply voltage can be the same for the whole device, in the range 2.4 V to 2.7 V, or it can be differentiated for digital (V<sub>CC</sub>: 1.8 V to 2.7 V), analog (V<sub>CCA</sub>: 2.4 V to 3.3 V) and loudspeaker driver (V<sub>CCLS</sub>: V<sub>CCA</sub> to 5.5 V) to obtain best performance and maximum power to the loudspeaker (up to 500 mW).

STw5095 has multiple analog mixable inputs and outputs. It can directly drive Stereo Headphones without external capacitors and it has a Loudspeaker driver that can also be used for monophonic group listening. Stereo differential and single ended microphones, auxiliary line in stereo and mono signals can be mixed and connected to the ADC or directly to the drivers, mixed also with DAC audio signals.

STw5095 stereo audio Codec main applications include multimedia handheld devices such as cellular phones with added low-power high-quality MP3 and/or FM radio listening/recording features, or any battery powered equipment such as PDAs, Camcorders, etc. that require Stereo Audio Codec with Headphones drivers.

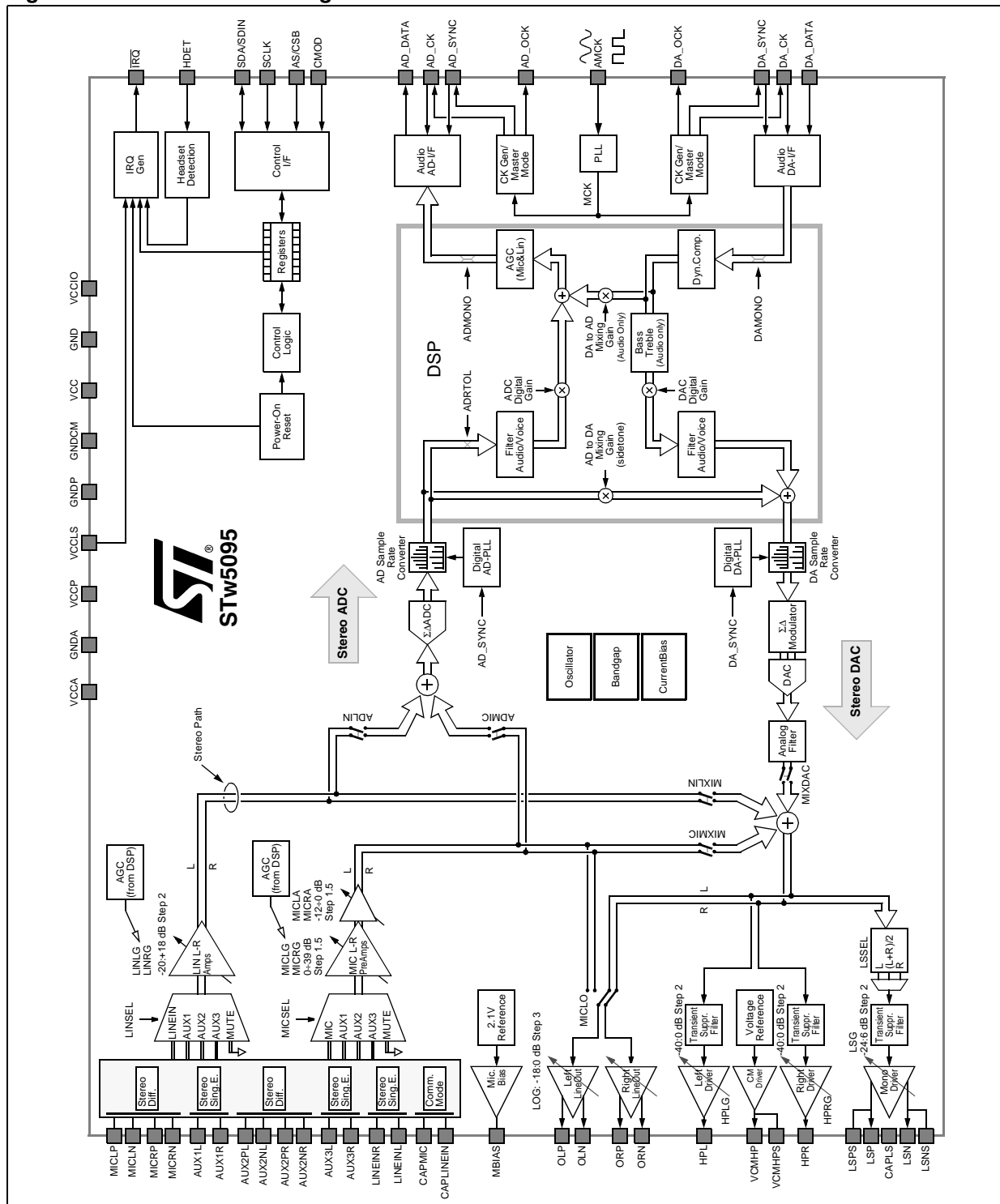
**Figure 1. Pin configuration (top view)**





## 2 Functional block diagram

Figure 2. STw5095 block diagram



Note: This diagram shows the functionality of the device and of some control registers bits but it does not necessarily reflect the exact hardware implementation.

### 3 Pin description

**Table 1. Pin description**

Pin N°	Name	Type	Description
D2 C2 E8 D7	MICLP MICLN MICRP MICRN	AI	Left and Right channel differential pins for microphone input.
C8	MBIAS	AO	Microphone Biasing Pin. Fixed voltage reference.
D1	CAPMIC	AI	A capacitor must be connected between CAPMIC and Ground.
C1 D8	AUX1L AUX1R	AI	Left and Right channel single ended pins for microphone or line input.
E2 E1 F7 F8	AUX2LP AUX2LN AUX2RP AUX2RN	AI	Left and Right channel differential pins for microphone or line input.
D3 E5	AUX3L AUX3R	AI	Left and Right channel single ended pins for microphone or line input.
E3 F6	LINEINL LINEINR	AI	Left and Right channel single ended pins for line input.
E7	CAPLINEIN	AI	A capacitor must be connected between CAPLINEIN and Ground.
G4 G5	LSP, LSN	AO	Analog differential loudspeaker amplifier output for Left channel or Right channel or the sum of both. This output can drive 50nF (with series resistor) or directly an earpiece transducer of 8Ω; It can deliver up to 500mW.
F4 F5	LSPS, LSNS	AO	LSPS, LSNS (sense) pins must be connected on the application board to LSP, LSN pins respectively (see application note). The connection must be as close as possible to the pins.
E4	CAPLS	AI	A capacitor can be connected between this node and Ground. See application notes
H2 H7	HPL HPR	AO	Audio single ended headphones amplifier outputs for Left and Right channels. The outputs can drive 50nF (with series resistor) or directly an earpiece transducer of 16Ω
G3	VCMHP	AO	Common mode voltage headphones output. The negative pins of headphones left and right speakers can be connected to this pin to avoid decoupling capacitors.
F3	VCMHPS	AO	VCMHPS (sense) pin must be connected on the application board to VCMHP pin (see application note). The connection must be as close as possible to the pins.
G1 F1 H8 G8	OLP OLN ORP ORN	AO	Audio differential line out amplifier for Left and Right channels. This outputs can drive up to 1kΩ resistive load. Can be used as single ended outputs.

Table 1. Pin description

Pin N°	Name	Type	Description
C4	CMOD	DI	Control interface type selector: I <sup>2</sup> C-bus mode or SPI mode.
A2	SCLK	DI	Control interface serial clock input.
B4	SDA/SDIN	DIOD	Control interface serial data input-output in I <sup>2</sup> C mode (SDA), Control interface serial data input in SPI mode (SDIN).
C5	AS/CSB	DI	Control interface address select in I <sup>2</sup> C mode (AS). Interface enable signal in SPI mode (CSB).
A7	AD_SYNC	DIO	Frame Sync for stereo A/D converter.
B7	DA_SYNC	DIO	Frame Sync for stereo D/A converter.
A5	AD_CK	DIO	Serial Data Clock for stereo A/D converter.
B5	DA_CK	DIO	Serial Data Clock for stereo D/A converter.
B6	AD_DATA	DO	Serial Data Out for stereo A/D converter.
A8	DA_DATA	DI	Serial Data In for stereo D/A converter.
B1	HDET	AI	Headset detection input (Microphone Plug-in and Push-Button detection).
B8	IRQ	DO	Programmable Interrupt output. Active low signal.
A3	AD_OCK	DO	Oversampled Clock Out from AD clock generator.
A4	DA_OCK	DO	Oversampled Clock Out from DA clock generator.
A6	AMCK	DI AI	Master Clock Input. Accepted range 4 MHz to 32 MHz. AMCK is a Digital square wave AMCK is an Analog sinewave (see AMCKSIN <a href="#">Section 5.8 on page 38</a> )
B2 C3 D6	VCCA	P	Power Supply pins for the analog section. Standard Operating range: from 2.7 V to 3.3 V Low Voltage (LV) Range: from 2.4 V to 2.7 V
D4 E6	GNDA	P	Ground pins for the analog section.
F2	GNDCM	P	Ground pin for analog reference. GNDCM can be connected to GNDA.
G6 H1	VCCP	P	Power Supply pins for the left and right output drivers (headphones and line-out). Operating range: from V <sub>CCA</sub> to 3.3V
H3 H6	VCCLS	P	Power Supply pins for the mono differential output driver. Operating range: from V <sub>CCA</sub> to 5.5V
G2 G7 H4 H5	GNDP	P	Ground pins for the left, right and mono-differential output drivers. GNDP and GNDA must be connected together.
B3 C6	VCC	P	Power Supply pins for the digital section. Operating range: from 1.71 V to 2.7 V

**Table 1. Pin description**

Pin N°	Name	Type	Description
A1 C7	GND	P	Ground pins for the digital section.
D5	VCCIO	P	Power Supply pin for the Digital I/O buffers. Operating ranges: from 1.2 V to 1.8 V and from 1.71 V to $V_{CC}$

*Note:*  $V_{CC}$ ,  $V_{CCA}$ ,  $V_{CCP}$ ,  $V_{CCLS}$  can be connected together for low cost applications: Operating range: 2.4 V-2.7 V.

### Type definitions

AI	-	Analog input
AO	-	Analog Output
AIO	-	Analog Input Output
DI	-	Digital Input
DO	-	Digital output
DIO	-	Digital Input Output
DIOD	-	Digital Input Output Open Drain
P	-	Power Supply or Ground

## 4 Functional description

### 4.1 Power supply

STw5095 can have different supply voltages for different blocks, to optimize performance, power consumption and connectivity. See [Operative supply voltage on page 52](#) for voltage definition.

The correct sequence to apply supply voltage is to set first (and unset last) the digital I/O supply ( $V_{CCIO}$ ). The other supply voltages can be set in any order and can be disconnected individually, if needed. Disconnection does not cause any harm to the device and no extra current is pulled from any supply during this operation. Moreover if a voltage conflict is detected, like  $V_{CCA} < V_{CC}$  (not allowed), simply all blocks connected to  $V_{CCA}$  are set to power down and no extra current is pulled from supply.

When  $V_{CCIO}$  is set and  $V_{CC}$  (digital supply) is not set, all the digital output pins are in high impedance state, while the digital inputs are disconnected to avoid power consumption for any input voltage value between GND and  $V_{CCIO}$ . Before  $V_{CC}$  is disconnected the device has to be reset (SWRES bit in CR30).

When the analog supply ( $V_{CCA}$ ) is set and  $V_{CC}$  is not set, all the analog inputs are in high impedance state.

The control registers are powered by VCC pin (digital supply) so if this pin is disconnected all the information stored in control registers is lost. When the digital supply voltage is set, a power-on-reset (POR) circuit sets all the registers content to the default value and then generates an IRQ signal writing 1 in bits PORMSK and POREV in CR31 and CR32 respectively.

All supplies must be on during operation.

### 4.2 Device programming

STw5095 can be programmed by writing Control Registers with SPI or I<sup>2</sup>C compatible control interface (both slave). The interface is always active, there is no need to have the master clock running to program the device registers.

The choice between the two interfaces is done via an input pin (CMOD):

1. CMOD connected to GND: I<sup>2</sup>C compatible mode selected  
The device address is selected with AS pin:  
AS connected to GND: chip address 00110101(35hex) for reading, 00110100 (34hex) for writing  
AS connected to  $V_{CCIO}$ : chip address 00110111(37hex) for reading, 00110110 (36hex) for writing
2. When this mode is selected control registers are accessed through pins:  
SCLK (clock)  
SDA (serial data out/in, open drain)
3. CMOD connected to  $V_{CCIO}$ : SPI compatible mode selected  
When this mode is selected control registers are accessed through:  
CSB (chip select, active low)  
SCLK (clock)  
SDIN (serial data in)  
AD\_OCK or DA\_OCK or IRQ (serial data out, if selected)

**Device Programming: I<sup>2</sup>C.** The I<sup>2</sup>C Control Interface timing is shown in [Section 6.1 on page 43](#). The interface has an internal counter that keeps the current address of the control register to be read or written. At each write access of the interface the address counter is loaded with the data of the *register address* field. The value in the address counter is increased after each data byte read or write. It is possible to access the interface in 2 modes: single-byte mode in which the address and data of a single register are specified, and multi-byte mode in which the address of the first register to be written or read is specified and all the following bytes exchanged are the data of successive registers starting from the one specified (in multi-byte mode the internal address counter restart from register 0 after the last register 36). Using the multi-byte mode it is possible to write or read all the registers with a single access to the device on the I<sup>2</sup>C bus.

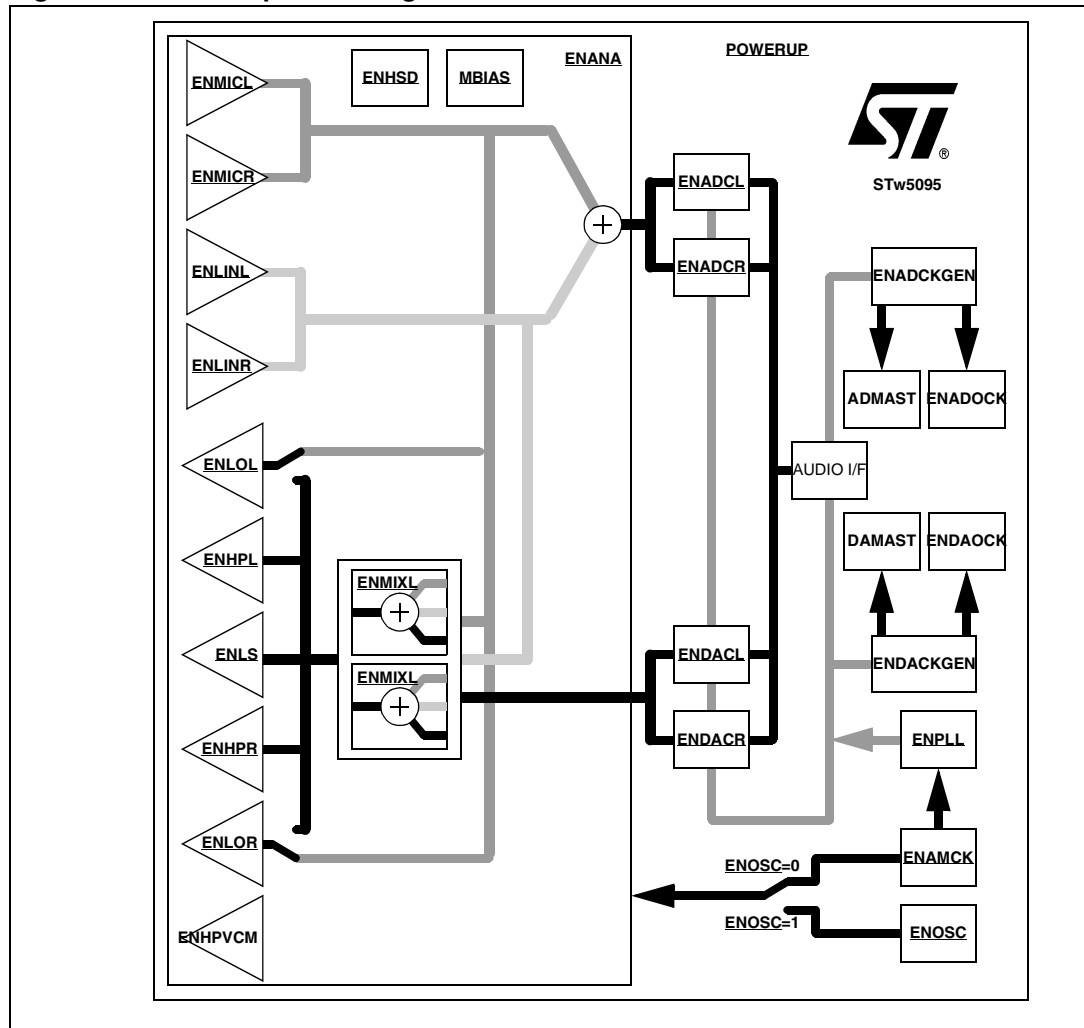
**Device Programming: SPI.** The SPI Control Interface timing is shown in [Section 6.2 on page 44](#). Bits SPIOSEL (SPI Output Select) in CR33 control the out pin selection for serial data out (none, AD\_OCK, DA\_OCK or IRQ), while bit SPIOHIZ=1 in CR33 selects the high impedance state of serial data out pin when idle. The first bit sent on SDIN, after CSB falling edge, sets the interface for writing (SDIN=1) or reading (SDIN=0), then a 7-bit Control Register address follows.

If the interface is set for writing then the last 8 bits on SDIN are written in the control register. If the interface is set for reading then after the 7 bit address STw5095 sends out 8 bits data on the pin selected with bits SPIOSEL in CR33, while bits present at SDIN pin are ignored. If SPIOSEL=00 (no out pin selected) the reading access on SPI interface can still be useful to clear the IRQ event bits in CR32.

### 4.3 Power up

STw5095 internal blocks can individually be switched on and off according to the user needs. A general Power Up bit is present at bit 7 of CR0. The output drivers should always be powered up after the general power up. See the following drawing to select the needed block for the desired function. A fast-settling function is activated to quickly charge external capacitors when the device is switched on (CAPLS, CAPLINEIN and CAPMIC).

Figure 3. Power up block diagram



#### 4.4 Master clock

The master clock pin (AMCK) accepts any frequency from 4 MHz to 32 MHz. The 4-32 MHz range is divided in sub-ranges that have to be programmed in bits CKRANGE in CR30. The jitter and spectral properties of this clock have a direct impact on the DAC and ADC performance because it is used to directly or by integer division drive the continuous-time to sampled-time interfaces.

Note that AMCK clock does not need to have any relation to any other digital or analog input or output.

AMCK can be either a squarewave or a sinewave, bit AMCKSIN in CR30 selects the proper input mode. When a sinewave is used as input, AMCK pin must be decoupled with a capacitor. Specification for sinusoidal input can be found in [Section 10.2: AMCK with sinusoidal input on page 55](#).

The AMCK clock is not needed when only analog functions are used. For this purpose an internal oscillator with no external components can be used to operate the device (see [Analog-only operation on page 19](#)).

## 4.5 Data rates

STw5095 supports any data rate in 2 ranges: 8 kHz to 48 kHz and 88 kHz to 96 kHz. The range is selected with bits DA96K and AD96K in CR29 for AD and DA paths respectively.

*Note:* When AD96K=1 it is required to have DA96K=1.

The rates are fully independent in A/D and D/A paths. Moreover the rates do not have to be specified to the device and they can change on the fly, within one range, while data is flowing.

The 2 audio data interfaces (for A/D and D/A) can independently operate in master or slave mode.

## 4.6 Clock generators and master mode function

STw5095 provides 2 internal clock generators that can drive, if needed, the audio interfaces (master mode), and/or two independent master clocks.

The AMCK clock input frequency is internally raised via a PLL to obtain a clock (MCK) in the range 32 MHz to 48 MHz. The ratio MCK/AMCK is defined in CR30 (see MCKCOEFF in [Section 5.6 on page 34](#)).

MCK is used to obtain, by fractional division, the oversampled clock (OCK), word clock (SYNC) and bit clock (CK), that will therefore have edges aligned with MCK (the OCK period can have jitter of 1 MCK period).

The frequency of OCK, SYNC and CK is set with DAOCKF in CR21/20 for DA interface, and ADOCKF in CR24/23 for AD interface.

The ratio between OCK and SYNC clocks is selected with bit DAOCK512 in CR22 for DA interface and bit ADOCK512 in CR25 for AD interface. The ratio between CK and SYNC clocks depends on the selected interface format (see [Audio digital interfaces](#) paragraph below). Note that SPI format can only be slave.

The ADOCK and DAOCK output clocks are activated by bits ENADOCK and ENDAOCK respectively, while master mode generation is activated with two bits: first ADMAST (DAMAST) sets ADSYNC and ADCK (DASYNC and DACK) pins as outputs, then ADMASTGEN (DAMASTGEN) generates the SYNC and CK clocks. The logical value at SYNC and CK pins before data generation depends on the interface selected format.

See description of CR20 to CR25 for further details.

## 4.7 Audio digital interfaces

Two separate audio data interfaces are provided for AD and DA paths to have maximum flexibility in communicating with other devices. The 2 interfaces can have different rates and can work in different formats and modes (i.e AD interface can be 8 kHz PCM slave while DA is 44.1 kHz I<sup>2</sup>S master).

The pins used by the interfaces are:

AD\_SYNC, AD\_CK and AD\_DATA for AD path word clock, bit clock and data, respectively, and

DA\_SYNC, DA\_CK and DA\_DATA for DA path word clock, bit clock and data, respectively.



Data is exchanged with MSB first and left channel data first in all formats. Data word-length is selected with bits DAWL in CR26 and ADWL in CR27. AD\_DATA pin, outside the selected time slot, is in the impedance condition selected by bit ADHIZ in CR28 in all data formats except Right-Aligned-Format.

In the following paragraphs SYNC, CK and DATA will be used when the distinction between AD and DA is not relevant. When Master Mode is selected (bits DAMAST and ADMAST in CR22 and CR25 respectively) the SYNC and CK clocks are generated internally. In addition, an oversampled clock can be generated for each interface (AD\_OCK and DA\_OCK). The OCK clock is available in Slave Mode also, if needed.

The AD and DA interfaces can also be used as a single bidirectional interface when they are configured with the same format (Delayed, DSP, etc.) and AD\_SYNC is connected to DA\_SYNC and DA\_CK to AD\_CK. Master Mode is still available selecting ADMAST or DAMAST (not both).

The interfaces features are controlled with control registers CR26, CR27 and CR28.

Supported operating formats:

- **Delayed-Format (I<sup>2</sup>S compatible)** (DAFORM or ADFORM =000): the Audio Interface is I<sup>2</sup>S compatible ([Figure 9 on page 47](#)). The number of CK periods within one SYNC period is not relevant, as long as enough CK periods are used to transfer the data and the maximum frequency limit specified for bit clock is not exceeded. CK can be either a continuous clock or a sequence of bursts. In master mode there are 32 CK periods per SYNC period (that means 16 CK periods per channel) when the word length is 16 bit, while there are 64 CK periods per SYNC period (or 32 CK periods per channel) when word length is 18bit or higher. Bits ADSYNCP, DASYNCP and ADCKP, DACKP affect the interface format inverting the polarity of SYNC and CK pins respectively.
- **Left-Aligned-Format** (DAFORM or ADFORM =001): this format is equivalent to Delayed-Format without the 1 bit clock delay at the beginning of each frame ([Figure 9 on page 47](#)).
- **Right-Aligned-Format** (DAFORM or ADFORM =010): this format is equivalent to Delayed-Format, except that the Audio Data is right aligned and that the number of CK periods is fixed to 64 for each SYNC period ([Figure 9 on page 47](#)).
- **DSP-Format** (DAFORM or ADFORM =011) in this format the Audio Interface starting from a frame sync pulse on SYNC receives (DA) or sends (AD) the Left and Right data one after the other ([Figure 10 on page 48](#)). The number of CK periods within one SYNC period is not relevant, as long as enough CK periods are used to transfer the data and the maximum frequency limit specified for bit clock is not exceeded. CK can be either a continuous clock or a sequence of bursts. In Master Mode there are 32 CK periods per SYNC period when the word length is 16 bit, while there are 64 CK periods per SYNC period when word length is 18bit or higher. Bit CKP (ADCKP and DACKP) affects the interface format inverting the polarity of CK pin. Bit SYNCP (ADSYNCP and DASYNCP) switches between delayed (SYNCP=0) and non delayed (SYNCP=1) formats.  
DSP-Format is suited to interface with a Multi-Channel Serial Port.
- **SPI-Format** (DAFORM or ADFORM =100) in this format Left and Right data is received with separate data burst. Every burst is identified with a low level on SYNC signal ([Figure 10 on page 48](#)). There is no timing difference between the Left and Right data burst: the two channels are identified by the startup order: the first burst after AD path or DA path power-up identifies the Left channel data, the second one is the Right channel data, then Left and Right data repeat one after the other. CK must have 16 periods per channel in case of 16 bit data word and 32 periods per channel in case of

18 bit to 32 bit data word.

The SPI interface can be configured as a single-channel (mono) interface with bit SPIM (ADSPIM and DASPIM). The mono interface always exchanges the left channel sample.

SPI-Format can only be Slave: if Master Mode is selected the CK and SYNC pins are set to 0. Bit CKP (ADCKP and DACKP) affects the interface format inverting the polarity of CK pin.

- **PCM-Format** (DAFORM or ADFORM =111): this format is monophonic, as it can only receive (DA) and transmit (AD) single channel data ([Figure 10 on page 48](#)). It is mainly used when voice filters are selected. If audio filters are used then the same sample is sent from DA-PCM interface to both channel of DA path, and the left channel sample from AD path is sent to AD-PCM interface. If in the AD path the right channel has to be sent to the PCM interface then the following must be set: ADRTOL=1 (CR27) and ENADCL=0 (CR1). In Master Mode the number of CK periods per SYNC period is between 16 and 512 (see DAPCMF in CR22 and ADPCMF in CR25, [Section 5.6 on page 34](#) for details). Bit CKP (ADCKP and DACKP) affects the interface format inverting the polarity of CK pin. Bit SYNCP (ADSYNCP and DASYNCP) switches between delayed (SYNCP=0) and non delayed (SYNCP=1) formats.

## 4.8 Analog inputs

STw5095 has a stereo Microphone preamplifier and a stereo Line In amplifier, with inputs selectable among 5: MIC (for Microphone preamplifier only), LINEIN (for Line In amplifier only) and 3 different AUX inputs (for Microphone and Line In amplifiers). The AUX inputs can be used simultaneously for Line In amplifiers and Microphone preamplifiers.

- **Microphone preamplifier:** it has a very low noise input, specifically designed for low amplitude signals. For this reason it has a high input gain (up to 39 dB) keeping a constant 50 k $\Omega$  input impedance for the whole gain range. However it can also be used as a line in preamplifier because it can accept a high dynamic input signal (up to 4 V<sub>pp</sub>). There are two separate gain and attenuation stages in order to improve the S/N ratio when the preamplifier output range is below full scale (volume control). The gain and attenuation controls are separate for left and right channel (CR3 and CR4 respectively). The Preamplifier input is selected with bits MICSEL in CR18, and it is disconnected when MICMUTE=1. If a single ended input is selected then the preamplifier uses the selected pin as the positive input and connects the negative input (for both left and right channels) to CAPMIC pin, which has to be connected through a capacitor to a low noise ground (typically the same reference ground of the input). The stereo Microphone preamplifier is powered up with bits ENMICL and ENMICR in CR1.
- **Line In amplifier:** it is designed for high level input signal. The input gain is in the range -20 dB up to 18 dB. The Line In amplifier input is selected with bits LINSEL in CR18, and it is disconnected when LINMUTE=1. If a single ended input is selected then the amplifier uses the selected pin as the positive input and connects the negative input (for both left and right channels) to CAPLINEIN pin, which has to be connected through a capacitor to a low noise ground (typically the same reference ground of the input). The stereo Line In amplifier is powered up with bits ENLINL and ENLINR in CR1.

## 4.9 Analog output drivers

STw5095 provides 3 different analog signal outputs and 1 common mode reference output:

- **Line Out Drivers:** it is a stereo differential output, it can be used as single-ended output just by using the positive or negative pin. It can drive 1 k $\Omega$  resistive load. The load can be connected between the positive and negative pins or between one pin and ground through a decoupling capacitor. The output gain is regulated with LOG bits in CR7, in the range 0 to -18 dB, simultaneously for left and right channels. When used as a single ended output the effective gain is 6 dB lower. It is muted with bit MUTELO in CR19. The input signal of this stereo output can come from the analog mixer or directly from MIC preamplifiers. The output Common Mode Voltage level is controlled with bits VCML in CR19. The supply voltage of line out drivers is  $V_{CCP}$ . The Line Out Drivers are powered up with bits ENLOL and ENLOR in CR1. The output pins are in high impedance state with a 180k $\Omega$  pull-down resistor when the Line Out Drivers are powered down.
- **Headphones Drivers:** it is a stereo single ended output. It can drive 16 Ohm resistive load and deliver up to 40 mW. The output gain is regulated with HPLG and HPRG bits in CR8 and CR9 respectively, with a range of -40 to 6 dB. It is muted with bit MUTEHP in CR19. The input signal of this stereo output comes from the analog mixer. The output Common Mode Voltage is controlled with bits VCML in CR19. The supply voltage of headphones drivers is  $V_{CCP}$ . The Headphones Drivers are powered up with bits ENHPL and ENHPR in CR2. The output pins are in high impedance state when the Headphones Drivers are powered down.
- **Common Mode Voltage Driver:** it is a single ended output with output voltage value selectable with bits VCML in CR19, from 1.2 V to 1.65 V in steps of 150 mV. The output voltage should be set to the value closest to  $V_{CCP}/2$  to optimize output drivers performance. The Common Mode Voltage Driver is designed to be connected to the common pin of stereo headphones, so that decoupling capacitors are not needed at HPL and HPR outputs. The supply voltage of the common mode voltage driver is  $V_{CCP}$ . The Common Mode Voltage Driver is powered up with bit ENHPVCM in CR2. The output pin is in high impedance state when the Common Mode Voltage Driver is powered down.
- **Loudspeaker Driver:** it is a monophonic differential output. It can drive 8  $\Omega$  resistive load and deliver up to 500 mW to the load. The output gain is regulated with LSG bits in CR7, in the range -24 to +6 dB. The input signal of the loudspeaker driver comes from the analog mixers: bits LSSEL in CR29 select left channel, right channel, (L+R)/2 (mono) or mute. The output Common Mode Voltage is obtained with an internal voltage divider from  $V_{CCLS}$  and it is connected to CAPLS pin. The supply voltage of the loudspeaker driver is  $V_{CCLS}$ . The Loudspeaker Driver is powered up with bit ENLS in CR2. The output pin is in high impedance state when the Loudspeaker Driver is powered down.

Note:

**Note on direct connection of  $V_{CCLS}$  To the battery:**

The voltage of batteries of handheld devices during charging is usually below 5.5 V, making  $V_{CCLS}$  supply pin suitable for a direct connection to the battery. In this case if STw5095 is delivering the maximum power to the load and the ambient temperature is above 70 °C then the simultaneous charging of the battery can overheat the device. A basic protection scheme is implemented in STw5095 (activated with bit LSLIM in CR19): it limits the maximum gain of the loudspeaker to -6 dB when  $V_{CCLS}$  is above 4.2 V, and it removes the limit for  $V_{CCLS}$  below 4.0 V. The loudspeaker gain is left unchanged if it is set below -6 dB

with bits LSG. This event ( $V_{CCLS} > 4.2\text{ V}$ ) can generate, if enabled (bit VLMSK in CR31), an IRQ signal.

## 4.10 Analog mixer

STw5095 can send to the output drivers the sum of stereo audio signals from 3 different sources, DA path (bit MIXDAC in CR17), Microphone Preamplifiers (bit MIXMIC in CR17) and Line In Amplifiers (bit MIXLIN in CR17). The mixer does not have a gain control on the inputs, therefore the user should reduce the levels of the input signals within the analog signal range.

The stereo Analog Mixer is powered up with bits ENMIXL and ENMIXR in CR2.

## 4.11 AD path

The AD path converts audio signals from Microphone Preamplifiers (selected with bit ADMIC in CR17) and Line In Amplifiers (bit ADLIN in CR17) inputs to digital domain. If both inputs are selected then the sum of the two is converted. After AD conversion the audio data is resampled with a sample rate converter and then processed with the internal DSP. Two different filters are selectable in the DSP (bit ADVOICE in CR29): stereo Audio Filter, with DC offset removal and FIR image filtering; and a standard mono Voice-channel filter (uses left channel input and feeds both channel output). The AD path includes a digital gain control (ADCLG, ADCRG in CR12 and CR13 respectively) in the range -57 to +8 dB. The maximum gain from Mic Preamplifier to AD interface is then 47 dB. When Audio filter is selected in both AD and DA paths then DA audio data can be summed to AD data and sent to the AD Audio Interface (see DA2ADG in CR15). Left and Right channels can be independently switched on and off to save power, if needed (bits ENADCL and ENADCR in CR1)

## 4.12 DA path

The DA path converts digital data from the digital audio interface to analog domain and feeds it to the analog mixer. Incoming audio data is processed with a DSP where different filters are selectable (bit DAVOICE in CR29): Audio Filter, stereo, with FIR image filtering, bass and treble controls (bits BASS and TREBLE in CR14), de-emphasis filter; and a standard Voice-channel filter, mono (uses left channel input and feeds both channel output). A dynamic compression function is available for both audio and voice filters (bit DYNC in CR14). The DA path includes a digital gain control (DACLG, DACRG in CR10 and CR11 respectively) in the range -65 to 0 dB. AD to DA mixing (sidetone) can be enabled: see CR16 for details. Left and Right channel can be independently switched on and off to save power, if needed (bits ENDACL and ENDACR in CR1)

## 4.13 Analog-only operation

STw5095 can operate without AMCK master clock if analog-only functions are used. It is possible to mix Microphone and Line In preamplifiers signals and listen through headphones, loudspeaker or send them to line-out. The analog-only operation is enabled with bit ENOSC in CR0. When ENOSC=1 the AD and DA paths cannot be used.

In Analog Mode STw5095 can handle two different stereo audio signals, so it can be used as a front end for an external voice codec that does not include microphone preamplifiers and power drivers: mic signal is sent through Microphone preamplifiers directly to line out drivers (Transmit path), while Receive signal is sent through Line In amplifiers to the selected power drivers.

#### 4.14 Automatic Gain Control (AGC)

STw5095 provides a digital Automatic Gain Control in AD path. The circuit can control the input gain at MIC preamplifier, Line In amplifier or both (bits ENAGCMIC and ENAGCLIN in CR35). When one input is selected, the center gain value used for the input is fixed with bits MICLG, MICRG, LINLG and LINRG in CR3 to CR6 (like in normal operation), then the AGC circuit adds to all the gains a value in the range -10.5 dB to +10.5 dB (or, extended with bit AGCRANGE in CR35, -21 dB to 21 dB), in order to obtain an average level at the digital interface output in the range -6 dB to -30 dB (selected with bits AGCLEV in CR35). The AGC added gain acts directly in the input gain, to avoid input saturation and improve S/N ratio, so it cannot exceed the input gain range. When MIC and Line-In inputs are selected simultaneously the control is performed on the sum of the two, preserving the balance fixed with input gains. Different values for Attack and Decay constants can be selected, depending on the kind of signal the AGC has to control (i.e. voice, music). The Attack and Decay time constants are related to the AD data rate (see bits AGCATT and AGCDEL in CR34).

#### 4.15 Interrupt request: IRQ pin

STw5095 interrupt request feature can signal to a control device the occurrence of particular events. Two control registers are used to choose the behavior of IRQ pin: the first is a Status/Event Register (CR32), where bits can represent the status of an internal function (i.e. a voltage is above or below a threshold) or an event (i.e. a voltage changed crossing a threshold); the second is a Mask Register (CR31) where if a bit in the mask is set to 1 then the corresponding bit in the Status/Event Register can affect IRQ pin status.

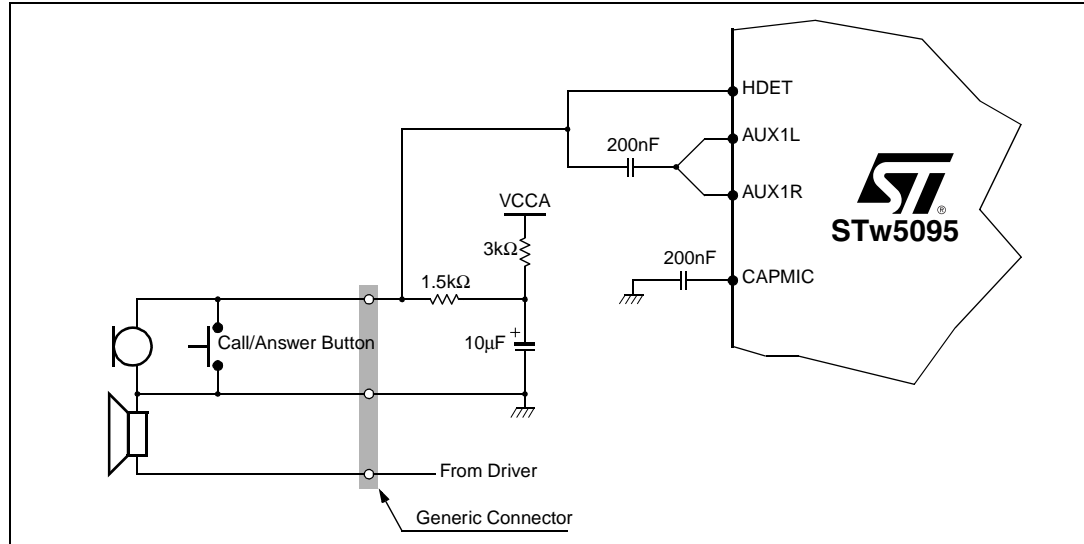
The IRQ pin is always active low. At  $V_{CC}$  power up an interrupt request is generated by the Power-On-Reset circuit that sets to 1 bits PORMSK in CR31 and POREV in CR32. After this event the PORMSK bit should be cleared by the user and bit IRQCMOS in CR33 should be set according to the application (open drain or CMOS).

When an IRQ event occurs and SPI control interface is selected with no serial output pin it is still possible to identify the event (and relative status) that generated the interrupt request. This can be done by setting the IRQ mask/enable bits (in CR31) one at the time (with successive writings) and reading the IRQ pin status. A simple example of this is the headset plug-in detection: at first we set bit HSDTMSK=1 in CR31 (with all the other bits set to 0). If there is an interrupt request then we set HSDTMSK=0 and HSDTEN=1, so we can read the HSDET status at IRQ pin. Then we read CR32 to clear its content (even if no data is sent out).

## 4.16 Headset plug-in and push-button detection

STw5095 can detect the plug-in of a microphone connector and the press/release event of a call/answer push-button. An application example can be found below, while specifications can be found in [Section 10.4 on page 56](#).

**Figure 4. Plug-in and push-button detection application note**



## 4.17 Microphone biasing circuit

The Microphone Biasing Circuit can drive mono or stereo microphones and can switch them off when not needed in order to save the current used by the microphone biasing network. Two bits control the behavior of the microphone bias circuit: MBIAS in CR17 enables the circuit (fixed voltage at MBIAS pin), while bit MBIASPD in CR17 affects the behavior of MBIAS pin when the function is not enabled. In particular when MBIASPD=1 the MBIAS pin is pulled down, otherwise it is left in tristate mode. The specification for the microphone biasing circuit can be found in [Section 4.17 on page 21](#), and an application note is shown in [Section 18 on page 69](#).

## 5 Control registers

### 5.1 Summary

CR# (hex)	Description	D7	D6	D5	D4	D3	D2	D1	D0	Def.
CR0 (00h)	Supply & Power Control #1	POWERUP	ENANA	ENAMCK	ENOSC	ENPLL	ENHSD	A24V	D12V	0000 0000
CR1 (01h)	Power Control #2	ENADCL	ENADCR	ENDACL	ENDACR	ENMICL	ENMICR	ENLNL	ENLINR	0000 0000
CR2 (02h)	Power Control #3	ENLOL	ENLOR	ENHPL	ENHPR	ENHPVCM	ENLS	ENMIXL	ENMIXR	0000 0000
CR3 (03h)	Mic Gain Left	MICLA(2:0)			MICLG(4:0)					0000 0000
CR4 (04h)	Mic Gain Right	MICRA(2:0)			MICRG(4:0)					0000 0000
CR5 (05h)	Line in Gain Left	X	X	X	LINLG(4:0)					0000 1001
CR6 (06h)	Line in Gain Right	X	X	X	LINRG(4:0)					0000 1001
CR7 (07h)	LO gain & LS gain	X	LOG(2:0)			LSG(3:0)				0000 0011
CR8 (08h)	HPL Gain	X	X	X	HPLG(4:0)					0000 0011
CR9 (09h)	HPR Gain	X	X	X	HPRG(4:0)					0000 0011
CR10 (0Ah)	DAC Digital Gain Left	X	X	DACLG(5:0)					0000 0000	
CR11 (0Bh)	DAC Digital Gain Right	X	X	DACRG(5:0)					0000 0000	
CR12 (0Ch)	ADC Digital Gain Left	X	X	ADCLG(5:0)					0000 1000	
CR13 (0Dh)	ADC Digital Gain Right	X	X	ADCRG(5:0)					0000 1000	
CR14 (0Eh)	Bass/Treble/De-emphasis	DYNC	TREBLE(2:0)			BASS(3:0)				0000 0000
CR15 (0Fh)	DA to AD mixing gain	X	X	X	DA2ADG(4:0)					0000 0000
CR16 (10h)	AD to DA mix/sidetone gain	X	X	AD2DAG(5:0)					0000 0000	
CR17 (11h)	Mixer Switches & Mic Bias	MBIAS	MBIASPD	ADMIC	ADLIN	MIXMIC	MIXLIN	MIXDAC	MICLO	0000 0000
CR18 (12h)	Input Switches	X	IN2VCM	LINMUTE	LINSEL(1:0)		MICMUTE	MICSEL(1:0)		0010 0100
CR19 (13h)	Drivers Control	VCML(1:0)		X	MUTELO	MUTEHP	LSLIM	LSSEL(1:0)		0101 1000
CR20 (14h)	DAOCK Frequency Ls byte	DAOCKF(7:0)								0000 0000
CR21 (15h)	DAOCK Frequency Ms byte	DAOCKF(15:8)								0000 0000
CR22 (16h)	DA Clock Generator Control	X	X	DAMAST	DAMASTGEN	ENDAOCK	DAOCK512	DAPCMF(1:0)		0000 0000
CR23 (17h)	ADOCK Frequency Ls byte	ADOCKF(7:0)								0000 0000
CR24 (18h)	ADOCK Frequency Ms byte	ADOCKF(15:8)								0000 0000
CR25 (19h)	AD Clock Generator Control	X	X	ADMAST	ADMASTGEN	ENADOCK	ADOCK512	ADPCMF(1:0)		0000 0000
CR26 (1Ah)	DAC Data IF Control	X	DAFORM(2:0)			DASPIM	DAWL(2:0)			0000 0000
CR27 (1Bh)	ADC Data IF Control	ADRTOL	ADFORM2:0)			ADSPIM	ADWL(2:0)			0000 0000
CR28 (1Ch)	DAC&ADC Data IF Control	AMCKINV	DACKP	DASYNCP	DAMONO	ADCKP	ADSYNCP	ADMONO	ADHIZ	0000 0000
CR29 (1Dh)	Digital Filters Control	X	DAVOICE	DA96K	RXNH	ADVOICE	AD96K	ADNH	TXNH	0000 0000
CR30 (1Eh)	Soft Reset & AMCK Range	SWRES	X	X	X	AMCKSIN	CKRANGE(2:0)			0000 0000
CR31 (1Fh)	Interrupt Mask	VLSHEN	PUSHBEN	HSDTEN	VLSHMSK	PUSHBMSK	HSDTMSK	OVFMSK	PORMSK	0000 0000
CR32 (20h)	Interrupt Status	VLSH	PUSHB	HSDT	VLSHEV	PUSHBEV	HSDTEV	OVFEV	POREV	0000 0000
CR33 (21h)	Misc. Control	X	X	SPIOHIZ	SPIOSEL(1:0)		IRQCMOS	OVFDA	OVFAD	0000 0000
CR34 (22h)	AGC Attack/Decay coeff.	AGCATT(3:0)				AGCDEC(3:0)				0000 0000
CR35 (23h)	AGC Control	X	ENAGCLIN	ENAGCMIC	AGCRANGE	AGCLEV(3:0)				0000 0000
CR36 (24h)	RESERVED	X	X	X	X	X	X	X	X	0000 0000

Note: X reserved, write zero



## 5.2 Supply and power control

CR# (hex)	Description	D7	D6	D5	D4	D3	D2	D1	D0	Def.
CR0 (00h)	Supply & Power Control #1	POWERUP	ENANA	ENAMCK	ENOSC	ENPLL	ENHSD	A24V	D12V	0000 0000
CR1 (01h)	Power Control #2	ENADCL	ENADCR	ENDACL	ENDACR	ENMICL	ENMICR	ENLINL	ENLINR	0000 0000
CR2 (02h)	Power Control #3	ENLOL	ENLOR	ENHPL	ENHPR	ENHPVCM	ENLS	ENMIXL	ENMIXR	0000 0000

Bits	Name	Val.	CR0 Description	Def.
7	POWERUP	1 0	All the enabled analog and digital blocks are in power up All the device is in power down	0
6	ENANA	1 0	The analog blocks can be enabled All the analog blocks are in power down	0
5	ENAMCK	1 0	AMCK clock input pin is enabled AMCK clock input pin is disabled	0
4	ENOSC	1 0	The Internal Oscillator is enabled. The analog blocks use Oscillator clock The Internal Oscillator is in power down	0
3	ENPLL	1 0	The PLL is enabled The PLL is in power down	0
2	ENHSD	1 0	The Headset Plug-in Detector is enabled The Headset Plug-in Detector is disabled	0
1	A24V	1 0	Analog Supply Pins voltage range is $2.4V < V_{CCA} < 2.7V$ Analog Supply Pins voltage range is $2.7V < V_{CCA} < 3.3V$	0
0	D12V	1 0	Digital I/O Pins voltage range is $1.2V < V_{CCIO} < 1.8V$ Digital I/O Pins voltage range is $1.71V < V_{CCIO} < V_{CC}$	0



Bits	Name	Value	CR1 Description	Def.
7	ENADCL	1 0	The left channel A/D converter is enabled The left channel A/D converter is in power down	0
6	ENADCR	1 0	The right channel A/D converter is enabled The right channel A/D converter is in power down	0
5	ENDACL	1 0	The left channel D/A converter is enabled The left channel D/A converter is in power down	0
4	ENDACR	1 0	The right channel D/A converter is enabled The right channel D/A converter is in power down	0
3	ENMICL	1 0	The left channel microphone preamplifier is enabled The left channel microphone preamplifier is in power down	0
2	ENMICR	1 0	The right channel microphone preamplifier is enabled The right channel microphone preamplifier is in power down	0
1	ENLNL	1 0	The left channel line-in preamplifier is enabled The left channel line-in preamplifier is in power down	0
0	ENLINR	1 0	The right channel line-in preamplifier is enabled The right channel line-in preamplifier is in power down	0

Bit #	Name	Value	CR2 Description	Def.
7	ENLOL	1 0	The left channel line out driver is enabled The left channel line out driver is in power down (default)	0
6	ENLOR	1 0	The right channel line out driver is enabled The right channel line out driver is in power down (default)	0
5	ENHPL	1 0	The left channel headphones driver is enabled The left channel headphones driver is in power down (default)	0
4	ENHPR	1 0	The right channel headphones driver is enabled The right channel headphones driver is in power down (default)	0
3	ENHPVCM	1 0	The headphones reference voltage generator is enabled The headphones reference voltage generator is in power down (def)	0
2	ENLS	1 0	The 8Ω loudspeaker amplifier is enabled The 8Ω loudspeaker amplifier is in power down (default)	0
1	ENMIXL	1 0	The left channel analog output mixer is enabled The left channel analog output mixer is in power down (default)	0
0	ENMIXR	1 0	The right channel analog output mixer is enabled The right channel analog output mixer is in power down (default)	0

## 5.3 Gains

CR# (hex)	Description	D7	D6	D5	D4	D3	D2	D1	D0	Def.
CR3 (03h)	Mic Gain Left	MICLA(2:0)			MICLG(4:0)				0000 0000	
CR4 (04h)	Mic Gain Right	MICRA(2:0)			MICRG(4:0)				0000 0000	
CR5 (05h)	Line in Gain Left	X	X	X	LINLG(4:0)				0000 1001	
CR6 (06h)	Line in Gain Right	X	X	X	LINRG(4:0)				0000 1001	
CR7 (07h)	LO gain & LS gain	X	LOG(2:0)			LSG(3:0)			0000 0011	
CR8 (08h)	HPL Gain	X	X	X	HPLG(4:0)				0000 0011	
CR9 (09h)	HPR Gain	X	X	X	HPRG(4:0)				0000 0011	
CR10 (0Ah)	DAC Digital Gain Left	X	X	DACLG(5:0)					0000 0000	
CR11 (0Bh)	DAC Digital Gain Right	X	X	DACRG(5:0)					0000 0000	
CR12 (0Ch)	ADC Digital Gain Left	X	X	ADCLG(5:0)					0000 1000	
CR13 (0Dh)	ADC Digital Gain Right	X	X	ADCRG(5:0)					0000 1000	

Bits	Name CR3 Name CR4	Value	CR3 and CR4 Description	Def.
7-5	MICLA(2:0) MICRA(2:0)	000 001 010 ... 110 111	Left (CR3) and Right (CR4) Channels Microphone Attenuation 0.0 dB Gain (default) -1.5 dB Gain -3.0 dB Gain ...step 1.5 dB -9.0 dB Gain -12.0 dB Gain	000
4-0	MICLG(4:0) MICRG(4:0)	00000 00001 00010 ... 11010	Left (CR3) and Right (CR4) Channels Microphone Gain 0.0 dB Gain (default) 1.5 dB Gain 3.0 dB Gain ...step 1.5 dB 39.0 dB Gain	00000

Bits	Name CR5 Name CR6	Value	CR5 and CR6 Description	Def.
4-0	LINLG(4:0) LINRG(4:0)	00000 00001 00010 ... 01001 ... 10011	Left (CR5) and Right (CR6) Channels Line In Gain 18.0 dB Gain 16.0 dB Gain 14.0 dB Gain ...step 2.0 dB 0.0 dB Gain (default) ...step 2.0 dB -20.0 dB Gain	01001

Bits	Name	Value	CR7 Description	Def.
6-4	LOG(2:0)	000 001 010 ... 110	Left and Right Channel Line Out Drivers Gain Gain to Differential Output      Equivalent Single-Ended Gain -18.0 dB Gain (default)      -24.0 dB Gain (default) -15.0 dB Gain      -21.0 dB Gain -12.0 dB Gain      -18.0 dB Gain ...step 3 dB      ...step 3 dB 00 dB Gain      -6.0 dB Gain	000
3-0	LSG(3:0)	0000 0001 0010 0011 ... 1111	8Ω Loudspeaker Gain 6.0dB Gain 4.0dB Gain 2.0 dB Gain 0.0dB Gain (default) ...step 2.0 dB -24.0dB Gain	0011
Bits	Name CR8 Name CR9	Value	CR8 and CR9 Description	Def.
4-0	HPLG(4:0) HPRG(4:0)	00000 00001 00010 00011 ... 10100	Left (CR8) and Right (CR9) Channels Headphones Driver Gain 0.0dB Gain -2.0dB Gain -4.0dB Gain -6.0dB Gain (default) ...step 2.0 dB -40.0dB Gain	00011

Bits	Name CR10 Name CR11	Value	CR10 and CR11 Description	Def.
5-0	DACLG(5:0) DACRG(5:0)		Left (CR10) and Right (CR11) Channels DAC Digital Gain	000000
		000000	0.0dB Gain (default)	
		000001	-1.0dB Gain	
		000010	-2.0dB Gain	
		000011	-3.0dB Gain	
		000100	-4.0dB Gain	
		000101	-5.0dB Gain	
		000110	-6.0dB Gain	
		000111	-7.0dB Gain	
		001000	-8.0dB Gain	
		001001	-9.0dB Gain	
		001010	-10.0dB Gain	
		001011	-11.0dB Gain	
		001100	-12.0dB Gain	
		001101	-13.0dB Gain	
		001110	-14.0dB Gain	
		001111	-15.0dB Gain	
		010000	-16.0dB Gain	
		010001	-17.0dB Gain	
		010010	-18.0dB Gain	
		010011	-20.0dB Gain	
		010100	-22.0dB Gain	
		010101	-24.0dB Gain	
		010110	-26.0dB Gain	
		010111	-28.0dB Gain	
		011000	-30.0dB Gain	
		011001	-32.0dB Gain	
		011010	-34.0dB Gain	
		011011	-36.0dB Gain	
		011100	-38.0dB Gain	
		011101	-41.0dB Gain	
		011110	-44.0dB Gain	
011111	-47.0dB Gain			
100000	-50.0dB Gain			
100001	-53.0dB Gain			
100010	-56.0dB Gain			
100011	-59.0dB Gain			
100100	-65.0dB Gain			
100101	-∞dB Gain			

Bits	Name CR12 Name CR13	Value	CR12 and CR13 Description	Def.
5-0	ADCLG(5:0) ACDRG(5:0)		Left (CR12) and Right (CR13) Channels ADC Digital Gain	001000
		000000	8.0dB Gain	
		000001	7.0dB Gain	
		000010	6.0dB Gain	
		000011	5.0dB Gain	
		000100	4.0dB Gain	
		000101	3.0dB Gain	
		000110	2.0dB Gain	
		000111	1.0dB Gain	
		001000	0.0dB Gain (default)	
		001001	-1.0dB Gain	
		001010	-2.0dB Gain	
		001011	-3.0dB Gain	
		001100	-4.0dB Gain	
		001101	-5.0dB Gain	
		001110	-6.0dB Gain	
		001111	-7.0dB Gain	
		010000	-8.0dB Gain	
		010001	-9.0dB Gain	
		010010	-10.0dB Gain	
		010011	-11.0dB Gain	
		010100	-12.0dB Gain	
		010101	-14.0dB Gain	
		010110	-16.0dB Gain	
		010111	-18.0dB Gain	
		011000	-20.0dB Gain	
		011001	-22.0dB Gain	
		011010	-24.0dB Gain	
		011011	-26.0dB Gain	
		011100	-28.0dB Gain	
		011101	-30.0dB Gain	
		011110	-33.0dB Gain	
		011111	-36.0dB Gain	
100000	-39.0dB Gain			
100001	-42.0dB Gain			
100010	-45.0dB Gain			
100011	-48.0dB Gain			
100100	-51.0dB Gain			
100101	-57.0dB Gain			
100110	-∞dB Gain			

## 5.4 DSP control

CR# (hex)	Description	D7	D6	D5	D4	D3	D2	D1	D0	Def.
CR14 (0Eh)	Bass/Treble/De-emphasis	DYNC	TREBLE(2:0)			BASS(3:0)				0000 0000
CR15 (0Fh)	DA to AD mixing gain	X	X	X	DA2ADG(4:0)				0000 0000	
CR16 (10h)	AD to DA mix/sidetone gain	X	X	AD2DAG(5:0)				0000 0000		

Bits	Name	Value	CR14 Description	Def.
7	DYNC	1 0	Audio Dynamic Compression in D/A path is enabled Audio Dynamic Compression in D/A path is disabled	0
6-4	TREBLE(2:0)	011 010 001 000 111 110 101 100	Treble Control in D/A path +6.0dB Treble Gain +4.0dB Treble Gain +2.0dB Treble Gain 0.0dB Treble Gain -2.0dB Treble Gain -4.0dB Treble Gain -6.0dB Treble Gain De-emphasis filter enabled	000
3-0	BASS(3:0)	0101 0100 0011 0010 0001 0000 1111 1110 1101 1100 1011	Bass Control in D/A path +12.5dB Bass Gain +10.0dB Bass Gain +7.5dB Bass Gain +5.0dB Bass Gain +2.5dB Bass Gain 0.0dB Bass Gain -2.5dB Bass Gain -5.0dB Bass Gain -7.5dB Bass Gain -10.0dB Bass Gain -12.5dB Bass Gain	0000

Bits	Name	Value	CR15 Description	Def.
			DA to AD mixing (Audio filter in D/A and A/D path selected)	
		00000	DA to AD mixing Disabled (default)	
		00001	+2.0dB Gain	
		00010	0.0dB Gain	
		00011	-2.0dB Gain	
		00100	-4.0dB Gain	
		00101	-6.0dB Gain	
		00110	-8.0dB Gain	
		00111	-10.0dB Gain	
		01000	-12.0dB Gain	
		01001	-14.0dB Gain	
4-0	DA2ADG(4:0)*	01010	-16.0dB Gain	00000
		01011	-18.0dB Gain	
		01100	-20.0dB Gain	
		01101	-22.0dB Gain	
		01110	-24.0dB Gain	
		01111	-26.0dB Gain	
		10000	-28.0dB Gain	
		10001	-30.0dB Gain	
		10010	-32.0dB Gain	
		10011	-34.0dB Gain	
		10100	-36.0dB Gain	
		10101	-38.0dB Gain	
		10110	-40.0dB Gain	

\* When Voice filter in D/A or A/D path is selected this function is disabled

Note: D/A to A/D mixing is performed at AD data rate, so if A/D and D/A rates are different then asynchronous sampling artifacts may occur.

Bits	Name	Value	CR16 Description	Def.
			AD to DA mixing (sidetone)	
		000000	AD to DA mixing Disabled (default)	
		000001	-1.0dB Gain	
		000010	-2.0dB Gain	
		000011	-3.0dB Gain	
		000100	-4.0dB Gain	
		000101	-5.0dB Gain	
		000110	-6.0dB Gain	
		000111	-7.0dB Gain	
		001000	-8.0dB Gain	
		001001	-9.0dB Gain	
		001010	-10.0dB Gain	
		001011	-11.0dB Gain	
		001100	-12.0dB Gain	
		001101	-13.0dB Gain	
		001110	-14.0dB Gain	
		001111	-15.0dB Gain	
		010000	-16.0dB Gain	
		010001	-17.0dB Gain	
		010010	-18.0dB Gain	
		010011	-19.0dB Gain	
5-0	AD2DAG(5:0)	010100	-20.0dB Gain	000000
		010101	-21.0dB Gain	
		010110	-22.0dB Gain	
		010111	-23.0dB Gain	
		011000	-24.0dB Gain	
		011001	-25.0dB Gain	
		011010	-26.0dB Gain	
		011011	-27.0dB Gain	
		011100	-28.0dB Gain	
		011101	-29.0dB Gain	
		011110	-30.0dB Gain	
		011111	-31.0dB Gain	
		100000	-32.0dB Gain	
		100001	-33.0dB Gain	
		100010	-34.0dB Gain	
		100011	-35.0dB Gain	
		100100	-36.0dB Gain	
		100101	-37.0dB Gain	
		100110	-38.0dB Gain	
		100111	-39.0dB Gain	
		101000	-40.0dB Gain	
		101001	-41.0dB Gain	
		101010	-42.0dB Gain	



## 5.5 Analog functions

CR# (hex)	Description	D7	D6	D5	D4	D3	D2	D1	D0	Def.
CR17 (11h)	Mixer Switches & Mic Bias	MBIAS	MBIASPD	ADMIC	ADLIN	MIXMIC	MIXLIN	MIXDAC	MICLO	0000 0000
CR18 (12h)	Input Switches	X	IN2VCM	LINMUTE	LINSEL(1:0)		MICMUTE	MICSEL(1:0)		0010 0100
CR19 (13h)	Drivers Control	VCML(1:0)		X	MUTELO	MUTEHP	LSLIM	LSSEL(1:0)		0101 1000

Bits	Name	Value	CR17 Description	Def.
7	MBIAS	1 0	Microphone Bias Enabled (2.1V typ at MBIAS Pin) Microphone Bias Disabled	0
6	MBIASPD	1 0	MBIAS Pin is pulled down when Microphone Bias is disabled MBIAS Pin is in High Impedance state when Microphone Bias is disabled	0
5	ADMIC	1 0	Microphone Preamplifiers are connected to AD path Microphone Preamplifiers are not connected to AD path	0
4	ADLIN	1 0	Line In Preamplifiers are connected to AD path Line In Preamplifiers are not connected to AD path	0
3	MIXMIC	1 0	Microphone Preamplifiers are connected to Mixers Microphone Preamplifiers are not connected to Mixers	0
2	MIXLIN	1 0	Line In Preamplifiers are connected to Mixers Line In Preamplifiers are not connected to Mixers	0
1	MIXDAC	1 0	Stereo DAC path is connected to Mixers Stereo DAC path is not connected to Mixers	0
0	MICLO	1 0	Microphone Preamplifiers are connected to Line Out Drivers Mixers are connected to Line Out Drivers	0

Bits	Name	Value	CR18 Description	Def.
6	IN2VCM	1 0	Unused Analog input pins are biased to Common Mode voltage Unused Analog input pins are in high impedance state	0
5	LINMUTE	1 0	Line In Preamplifiers are muted Line In Preamplifiers are not muted	1
4-3	LINSEL(1:0)	00 01 10 11	Input Pins connected to Line In Preamplifiers (if LINMUTE=0) LINEIN (LINEINL, LINEINR) AUX1 (AUX1L, AUX1R) AUX2 (AUX2LP-AUX2LN, AUX2RP-AUX2RN) AUX3 (AUX3L, AUX3R)	00
2	MICMUTE	1 0	Microphone Preamplifiers are muted Microphone Preamplifiers are not muted	1
1-0	MICSEL(1:0)	00 01 10 11	Input Pins connected to Microphone Preamplifiers (if MICMUTE=0) MIC (MICLP-MICLN, MICRP-MICRN) AUX1 (AUX1L, AUX1R) AUX2 (AUX2LP-AUX2LN, AUX2RP-AUX2RN) AUX3 (AUX3L, AUX3R)	00

Bits	Name	Value	CR19 Description	Def.
7-6	VCML(1:0)	00 01 10 11	Common Mode Voltage Level for Line Out and Headphones drivers 1.20 V 1.35 V (default) 1.50 V 1.65 V	01
4	MUTELO	1 0	Line Out Drivers are muted Line Out Drivers are not muted	1
3	MUTEHP	1 0	Headphones Drivers (HP) are muted Headphones Drivers (HP) are not muted	1
2	LSLIM	1 0	Loudspeaker Driver (LS) gain is limited when $V_{CCLS}$ is above 4.2V typ Loudspeaker Driver (LS) gain is not limited	0
1-0	LSSEL(1:0)	00 01 10 11	Mute Loudspeaker Driver (LS) is muted Right Right Channel Mixer only connected to Loudspeaker driver Left Left Channel Mixer only connected to Loudspeaker driver Mono (Left + Right)/2 Channel Mixers connected to Loudspeaker driver	00

## 5.6 Digital audio interfaces master mode and clock generators

CR# (hex)	Description	D7	D6	D5	D4	D3	D2	D1	D0	Def.
CR20 (14h)	DAOCK Frequency Ls byte	DAOCKF(7:0)								0000 0000
CR21 (15h)	DAOCK Frequency Ms byte	DAOCKF(15:8)								0000 0000
CR22 (16h)	DA Clock Generator Control	X	X	DAMAST	DAMASTGEN	ENDAOCK	DAOCK512	DAPCMF(1:0)		0000 0000
CR23 (17h)	ADOCK Frequency Ls byte	ADOCKF(7:0)								0000 0000
CR24 (18h)	ADOCK Frequency Ms byte	ADOCKF(15:8)								0000 0000
CR25 (19h)	AD Clock Generator Control	X	X	ADMAST	ADMASTGEN	ENADOCK	ADOCK512	ADPCMF(1:0)		0000 0000

Bits	Name CR21-20 Name CR24-23	Value	CR21-20 and CR24-23 Description	Def.
15-0	DAOCKF(15:0) ADOCKF(15:0)	K	<p>The following formulas can be used to obtain the value of K for the desired FS or OCK respectively in the clock generator</p> $K(\text{FS}) = \text{round}\left(2^{25} \frac{\text{FS}}{\text{AMCK} \cdot \text{MCKCOEFF}}\right)$ $K(\text{OCK}) = \text{round}\left(2^{25} \frac{\text{OCK}}{\text{AMCK} \cdot \text{MCKCOEFF} \cdot \text{OSR}}\right)$ <p>FS: Data Rate (DA_SYNC or AD_SYNC frequency in Master Mode)</p> <p>OCK: Oversampled Clock Frequency (DA_OCK or AD_OCK)</p> <p>AMCK: Input Master Clock Frequency</p> <p>MCKCOEFF: See CR30 for definition</p> <p>OSR: See bit 2 in CR22 and CR25</p>	0000h

Note: CR21-20 and CR24-23 are meaningful in Master Mode Only.

Bits	Name CR22 (Name CR25)	Value	CR22 and CR25 Description	Def.
5	DAMAST (ADMAST)	1 0	DA (AD) Audio interface is in Master Mode (low impedance output) DA (AD) Audio interface is in Slave Mode (high impedance input)	0
4	DAMASTGEN (ADMASTGEN)	1 0	DA (AD) Master Generator is enabled DA (AD) Master Generator is disabled	0
3	ENDAOCK (ENAOCK)	1 0	DA_OCK (AD_OCK) Output Clock is enabled DA_OCK (AD_OCK) Output Clock is disabled	0
2	DAOCK512 (ADOCK512)	1 0	Definition of DA_OSR (AD_OSR) DA_OCK/DA_SYNC (AD_OCK/AD_SYNC) Ratio In Master Mode is 512 DA_OCK/DA_SYNC (AD_OCK/AD_SYNC) Ratio In Master Mode is 256	0
1-0	DAPCMF(1:0) (ADPCMF(1:0))	00 00 01 10 11 11	DA_CK/DA_SYNC (AD_CK/AD_SYNC) Ratio in PCM Master Mode - 16when CR26 DAWL=000 (CR27 ADWL=000) - 32when CR26 DAWL≠000 (CR27 ADWL≠000) - 64 - 128 - 256when CR22 DAOCK512=0 (CR25 ADOCK512=0) - 512when CR22 DAOCK512=1 (CR25 ADOCK512=1)	00

## 5.7 Digital audio interfaces

CR# (hex)	Description	D7	D6	D5	D4	D3	D2	D1	D0	Def.
CR26 (1Ah)	DAC Data IF Control	X	DAFORM(2:0)			DASPIM	DAWL(2:0)			0000 0000
CR27 (1Bh)	ADC Data IF Control	ADRTOL	ADFORM2:0)			ADSPIM	ADWL(2:0)			0000 0000
CR28 (1Ch)	DAC&ADC Data IF Control	AMCKINV	DACKP	DASYNCP	DAMONO	ADCKP	ADSYNCP	ADMONO	ADHIZ	0000 0000

Bits	Name	Value	CR26 Description	Def.
6-4	DAFORM(2:0)	000	DA Audio Interface Format Selection Delayed Format (I <sup>2</sup> S Compatible)	000
		001	Left Aligned Format	
		010	Right Aligned Format	
		011	DSP Format	
		100	SPI Format	
		111	PCM Format (uses left channel)	
		3	DASPIM	
0	DA interface in SPI mode receives two words (alternated, left channel first)			
2-0	DAWL(2:0)	000	DA interface word length 16 bit	000
		001	18 bit	
		010	20 bit	
		011	24 bit	
		100	32 bit	

Bits	Name	Value	CR27 Description	Def.
7	ADRTOL	1	AD Right Channel sent to PCM I/F (must set ENADCR=0 in CR1)	0
		0	Normal Operation	
6-4	ADFORM(2:0)	000	AD Audio Interface Format Selection Delayed Format (I <sup>2</sup> S compatible)	000
		001	Left Aligned Format	
		010	Right Aligned Format	
		011	DSP Format	
		100	SPI Format	
		111	PCM Format (sends out left channel)	
3	ADSPIM	1	AD interface in SPI mode sends one channel (left)	0
		0	AD interface in SPI mode sends two channels (alternated, left first)	
2-0	ADWL(2:0)	000	AD interface word length 16 bit	000
		001	18 bit	
		010	20 bit	
		011	24 bit	
		100	32 bit	

Bits	Name	Value	CR28 Description	Def.
7	AMCKINV	1 0	AMCK is inverted AMCK is not inverted	0
6	DACKP	1 0	DA Bit Clock Pin (DA_CK) polarity is inverted DA Bit Clock Pin (DA_CK) polarity is not inverted	0
5	DASYNCP	1 0	DSP and PCM Formats in DA Interface Non Delayed format Delayed Format	0
		1 0	Delayed, Left-aligned, Right-aligned and SPI Formats in DA Interface DA Sync Pin (DA_SYNC) polarity is inverted DA Sync Pin (DA_SYNC) polarity is not inverted	
4	DAMONO	1 0	Mono Mode: (L+R)/2 from Audio Interface is used on both DAC channels Stereo Mode	0
3	ADCKP	1 0	AD Bit Clock Pin (AD_CK) polarity is inverted AD Bit Clock Pin (AD_CK) polarity is not inverted	0
2	ADSYNCP	1 0	DSP and PCM Formats in AD Interface Non Delayed format Delayed Format	0
		1 0	Delayed, Left-aligned, Right-aligned and SPI Formats in AD Interface DA Sync Pin (DA_SYNC) polarity is inverted DA Sync Pin (DA_SYNC) polarity is not inverted	
1	ADMONO	1 0	Mono Mode: (L+R)/2 from ADC is sent to both channels in the Audio Interface Stereo Mode	0
0	ADHIZ	1 0	AD data pin (AD_DATA) is in high impedance state when no data is available AD data pin (AD_DATA) is forced to 0 when no data is available	0

## 5.8 Digital filters, software reset and master clock control

CR# (hex)	Description	D7	D6	D5	D4	D3	D2	D1	D0	Def.
CR29 (1Dh)	Digital Filters Control	X	DAVOICE	DA96K	RXNH	ADVOICE	AD96K	ADNH	TXNH	0000 0000
CR30 (1Eh)	Soft Reset & AMCK Range	SWRES	X	X	X	AMCKSIN	CKRANGE(2:0)			0000 0000

Bits	Name	Value	CR29 Description	Def.
6	DAVOICE	1 0	DA path Voice RX filter is enabled (single channel, left used) DA path Audio filters are enabled	0
5	DA96K	1 0	DA path data rate is in the range 88 kHz to 96 kHz DA path data rate is in the range 8 kHz to 48 kHz	0
4	RXNH	1 0	DA path High pass Voice RX filter is disabled DA path High pass Voice RX filter is enabled (300Hz @ 8kHz rate)	0
3	ADVOICE	1 0	AD path Voice TX filter is enabled (single channel, left used) AD path Audio filters are enabled	0
2	AD96K	1 0	AD path data rate is in the range 88 kHz to 96 kHz AD path data rate is in the range 8 kHz to 48 kHz	0
1	ADNH	1 0	AD path Audio DC filter is disabled AD path Audio DC filter is enabled	0
0	TXNH	1 0	AD path High pass Voice TX filter is disabled AD path High pass Voice TX filter is enabled (300Hz @ 8kHz rate)	0

Bits	Name	Value	CR30 Description	Def.														
7	SWRES	1 0	Software reset: All registers content is reset to the default value Control Register content is left unchanged	0														
3	AMCKSIN	1 0	Signal at AMCK pin is a sinusoid Signal at AMCK pin is a square wave	0														
2-0	CKRANGE(2:0)	000 001 010 011 100 101	<table style="width: 100%; border: none;"> <thead> <tr> <th style="text-align: left;">AMCK range</th> <th style="text-align: right;">MCKCOEFF</th> </tr> </thead> <tbody> <tr> <td>4.0 MHz to 6.0MHz</td> <td style="text-align: right;">8.0</td> </tr> <tr> <td>6.0 MHz to 8.0MHz</td> <td style="text-align: right;">6.0</td> </tr> <tr> <td>8.0 MHz to 12.0MHz</td> <td style="text-align: right;">4.0</td> </tr> <tr> <td>12.0 MHz to 16.0MHz</td> <td style="text-align: right;">3.0</td> </tr> <tr> <td>16.0 MHz to 24.0MHz</td> <td style="text-align: right;">2.0</td> </tr> <tr> <td>24.0 MHz to 32.0MHz</td> <td style="text-align: right;">1.5</td> </tr> </tbody> </table>	AMCK range	MCKCOEFF	4.0 MHz to 6.0MHz	8.0	6.0 MHz to 8.0MHz	6.0	8.0 MHz to 12.0MHz	4.0	12.0 MHz to 16.0MHz	3.0	16.0 MHz to 24.0MHz	2.0	24.0 MHz to 32.0MHz	1.5	000
AMCK range	MCKCOEFF																	
4.0 MHz to 6.0MHz	8.0																	
6.0 MHz to 8.0MHz	6.0																	
8.0 MHz to 12.0MHz	4.0																	
12.0 MHz to 16.0MHz	3.0																	
16.0 MHz to 24.0MHz	2.0																	
24.0 MHz to 32.0MHz	1.5																	

## 5.9 Interrupt control and control interface SPI out mode

CR# (hex)	Description	D7	D6	D5	D4	D3	D2	D1	D0	Def.
CR31 (1Fh)	Interrupt Mask	VLSHEN	PUSHBEN	HSDTEN	VLSHMSK	PUSHBMSK	HSDTMSK	OVFMSK	PORMSK	0000 0000

CR# (hex)	Description	D7	D6	D5	D4	D3	D2	D1	D0	Def.
CR32 (20h)	Interrupt Status	VLSH	PUSHB	HSDDET	VLSHEV	PUSHBEV	HSDDETEV	OVFEV	POREV	0000 0000
CR33 (21h)	Misc. Control	X	X	SPIOHIZ	SPIOSEL(1:0)		IRQCMOS	OVFDA	OVFAD	0000 0000

Bits	Name	Value	CR31 Description	Def.
7	VLSHEN	1 0	VLSH status can be seen at IRQ output VLSH status is masked	0
6	PUSHBEN	1 0	PUSHB status can be seen at IRQ output PUSHB status is masked	0
5	HSDDETEN	1 0	HSDDET status can be seen at IRQ output HSDDET status is masked	0
4	VLSHMSK	1 0	VLSH event can be seen at IRQ output VLSH event is masked	0
3	PUSHBMSK	1 0	PUSHB event can be seen at IRQ output PUSHB event is masked	0
2	HSDDETMSK	1 0	HSDDET event can be seen at IRQ output HSDDET event is masked	0
1	OVFMSK	1 0	OVF event can be seen at IRQ output OVF event is masked	0
0	PORMSK	1 0	POR event can be seen at IRQ output POR event is masked	0

Note: Value at IRQ pin is: 
$$IRQ = \begin{cases} (1 \text{ or } Z) & \text{when } (CR31 \ \& \ CR32) = 00 \text{ hex} \\ 0 & \text{when } (CR31 \ \& \ CR32) \neq 00 \text{ hex} \end{cases}$$



Bits	Name	Read only	CR32 Description	Def.
7	VLSH*	1 0	V <sub>CCLS</sub> is above 4.2 V V <sub>CCLS</sub> is below 4.0 V	0
6	PUSHB*	1 0	Headset Button is pressed Headset Button is released	0
5	HSDET*	1 0	Headset Connector is inserted Headset Connector is not inserted	0
4	VLSHEV	1 0	VLSH bit has changed VLSH bit has not changed	0
3	PUSHBEV	1 0	Headset Button Status has changed Headset Button Status has not changed	0
2	HSDETEVEV	1 0	Headset Connector Status has changed Headset Connector Status has not changed	0
1	OVFEV	1 0	An Audio Data overflow has occurred in DSP No Audio Data overflow has occurred in DSP	0
0	POREV	1 0	Device was reset by Power-On-Reset Device was not reset by Power-On-Reset	0

Note: content of bits 4 to 0 in CR32 is cleared after reading, while it is left unchanged if accessed for writing.

\*Bits 7 to 5 represent the status when the Control register is read, not when the event occurred.

Bits	Name	Val.	CR33 Description	Def.
5	SPIOHIZ	1 0	SPI Control Interface Out Pin is set to high impedance state when inactive SPI Control Interface Out Pin is set to zero when inactive	0
4-3	SPIOSEL(1:0)	00 01 10 11	Out Pin Selection for SPI Control Interface No output. Control registers cannot be read in SPI mode SPI Output sent to IRQ pin SPI Output sent to DA_OCK pin SPI Output sent to AD_OCK pin	00
2	IRQCMOS	1 0	IRQ Interrupt Request Pin is set to CMOS (active low) IRQ Interrupt Request Pin is set to Pull Down	0
1	OVFDA	1 0	An overflow (saturation) occurred in DA path No overflow occurred in DA channel	0
0	OVFAD	1 0	An overflow (saturation) occurred in AD path No overflow occurred in AD channel	0

Note: content of bits 1 to 0 in CR33 is cleared after reading, while it is left unchanged if accessed for writing.

### 5.10 AGC

CR# (hex)	Description	D7	D6	D5	D4	D3	D2	D1	D0	Def.
CR34 (22h)	AGC Attack/Decay coeff.	AGCATT(3:0)				AGCDEC(3:0)				0000 0000
CR35 (23h)	AGC Control	X	ENAGCLIN	ENAGCMIC	AGCRANGE	AGCLEV(3:0)				0000 0000

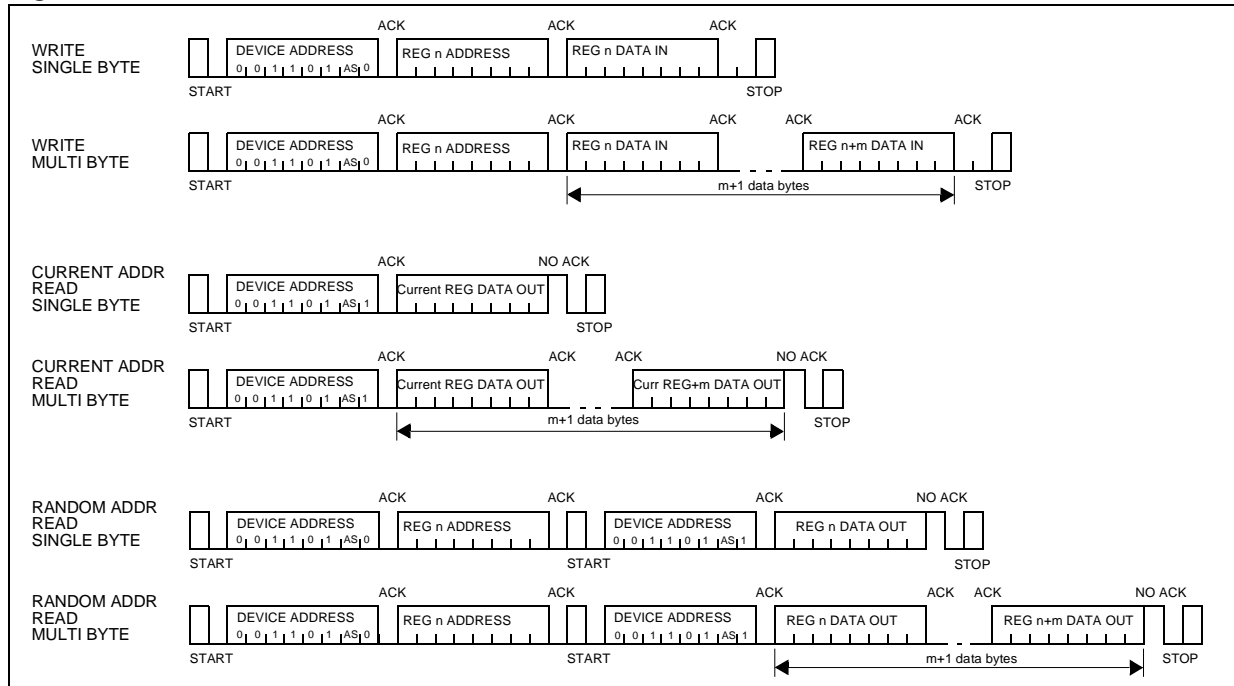
Bits	Name	Value	CR34 Description		Def.
7-4	AGCATT(3:0)		AGC Attack Time Constant; FS=AD data rate		0000
		0000	Audio filter in AD path	Voice filter in AD path	
		0001	4096/ FS	8192/ FS	
		0010	2048/ FS	4096/ FS	
		0011	1365/ FS	2731/ FS	
		0100	1024/ FS	2048/ FS	
		0101	683/ FS	1365/ FS	
		0110	512/ FS	1024/ FS	
		0111	341/ FS	683/ FS	
		1000	256/ FS	512/ FS	
		1001	171/ FS	341/ FS	
		1010	128/ FS	256/ FS	
		1011	85/ FS	171/ FS	
		1100	64/ FS	128/ FS	
		1101	43/ FS	85/ FS	
		3-0	AGCDEC(3:0)		
0000	Audio filter in AD path			Voice filter in AD path	
0001	65536/ FS			131072/ FS	
0010	32768/ FS			65536/ FS	
0011	21845/ FS			43691/ FS	
0100	16384/ FS			32768/ FS	
0101	10923/ FS			21845/ FS	
0110	8192/ FS			16384/ FS	
0111	5461/ FS			10923/ FS	
1000	4096/ FS			8192/ FS	
1001	2731/ FS			5461/ FS	
1010	2048/ FS			4096/ FS	
1011	1365/ FS			2731/ FS	
1100	1024/ FS			2048/ FS	
1101	683/ FS			1365/ FS	
1110	512/ FS			1024/ FS	
1111	341/ FS	683/ FS			
		256/ FS	512/ FS		

Bits	Name	Value	CR35 Description	Def.
6	ENAGCLIN	1 0	AGC control on AD path acts on Line In Gain AGC control on AD path does not act on Line In Gain	0
5	ENAGCMIC	1 0	AGC control on AD path acts on Mic Gain AGC control on AD path does not act on Mic Gain	0
4	AGCRANGE	1 0	AGC action range is -21.0 dB to +21.0 dB AGC action range is -10.5 dB to +10.5 dB	0
3-0	AGCLEV(3:0)	0000 0001 0010 0011 0100 0101 0110 0111 1000 1001	AGC requested output level -30.0dB Gain -30.0dB Gain -27.0dB Gain -24.0dB Gain -21.0dB Gain -18.0dB Gain -15.0dB Gain -12.0dB Gain -9.0dB Gain -6.0dB Gain	0000

# 6 Control interface and master clock

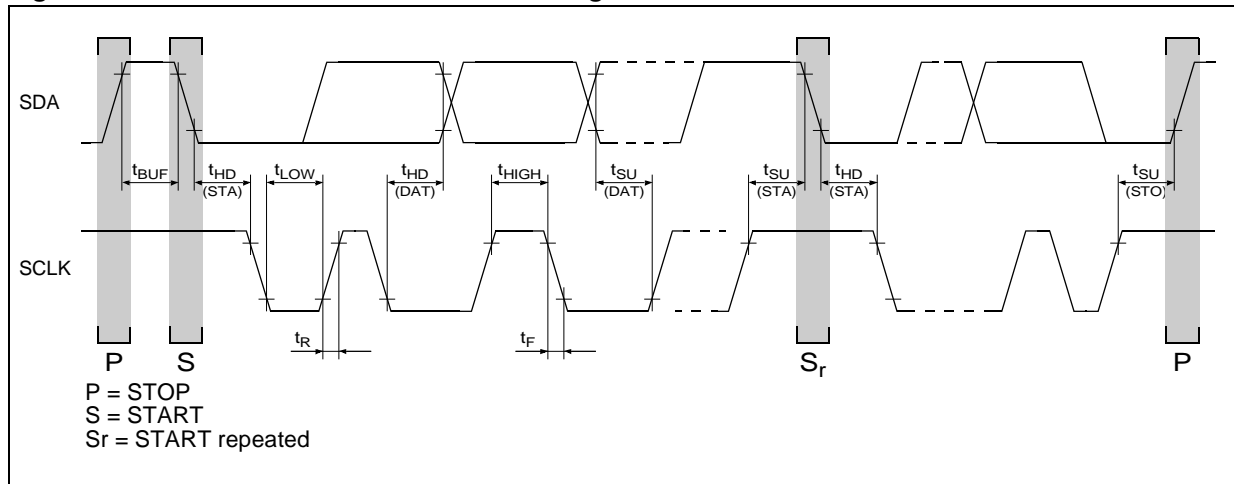
## 6.1 Control interface I<sup>2</sup>C mode

Figure 5. Control interface I<sup>2</sup>C format



Note: CMOD pin tied to GND

Figure 6. Control interface: I<sup>2</sup>C format timing

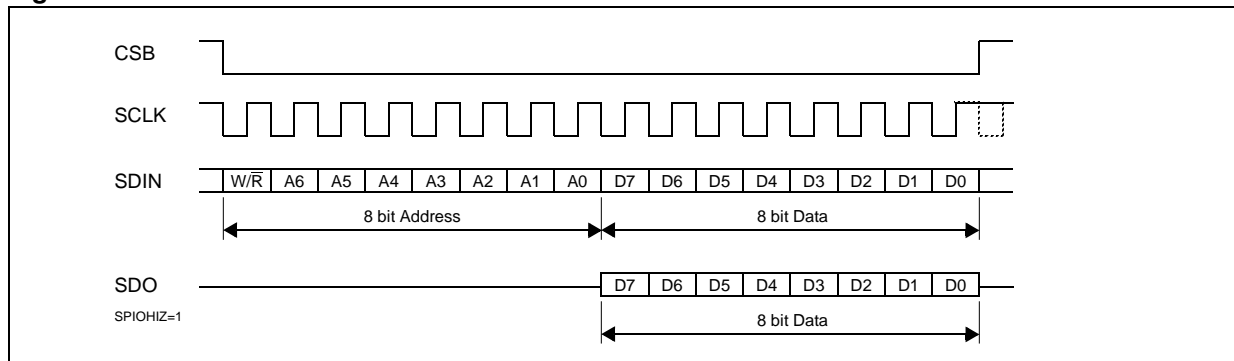


**Table 2. Control interface timing with I<sup>2</sup>C format**

Symbol	Parameter	Test Condition	Min.	Typ.	Max.	Unit
f <sub>SCL</sub>	Clock frequency				400	kHz
t <sub>HIGH</sub>	Clock pulse width high		600			ns
t <sub>LOW</sub>	Clock pulse width low		1300			ns
t <sub>R</sub>	SDA and SCLK rise time				1000	ns
t <sub>F</sub>	SDA and SCLK fall time				300	ns
t <sub>HD:STA</sub>	Start condition hold time		600			ns
t <sub>SU:STA</sub>	Start condition setup time		600			ns
t <sub>HD:DAT</sub>	Data input hold time		0			ns
t <sub>SU:DAT</sub>	Data input setup time		250			ns
t <sub>SU:STO</sub>	Stop condition setup time		600			ns
t <sub>BUF</sub>	Bus free time		1300			ns

## 6.2 Control interface SPI mode

**Figure 7. Control interface SPI format<sup>(a)</sup>**



a. CMOD pin tied to V<sub>CCIO</sub>; SDO pin position selected with bits SPIOSEL in CR33.

Figure 8. Control interface: SPI format timing

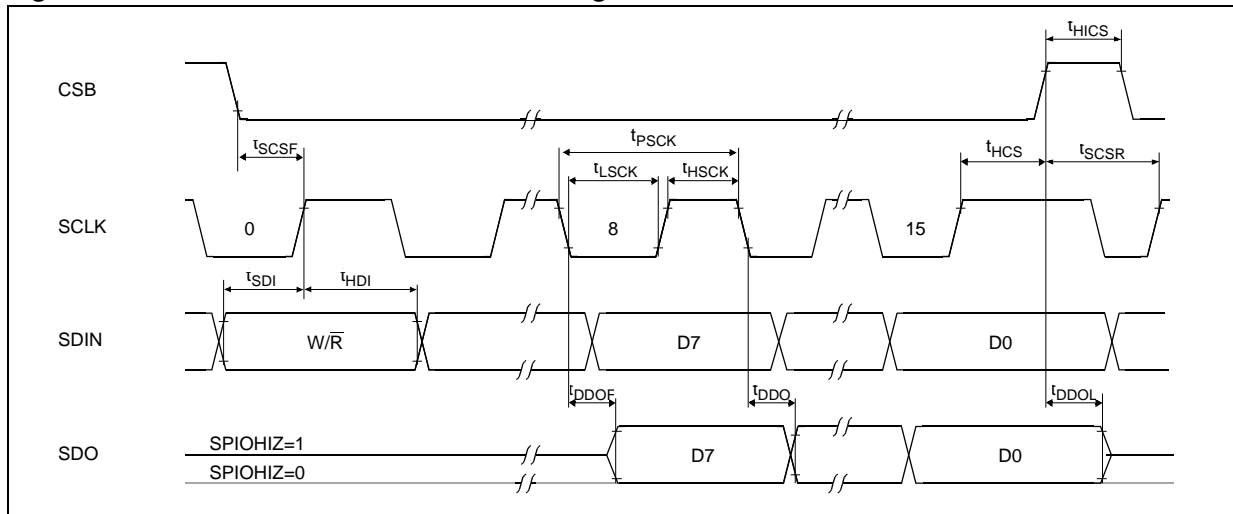


Table 3. Control interface timing with SPI format

Symbol	Parameter	Test Condition	Min.	Typ.	Max.	Unit
t <sub>HICS</sub>	CSB pulse width high		80			ns
t <sub>SCSR</sub>	Setup time CSB rising edge to SCLK rising edge		20			ns
t <sub>SCSF</sub>	Setup time CSB falling edge to SCLK rising edge		20			ns
t <sub>HCS</sub>	Hold time CSB rising edge from SCLK rising edge		20			ns
t <sub>SDI</sub>	Setup time SDIN to SCLK rising edge		20			ns
t <sub>HDI</sub>	Hold time SDIN from SCLK rising edge		20			ns
t <sub>DDOF</sub>	SDO first Delay time from SCLK falling edge				30	ns
t <sub>DDO</sub>	SDO Delay time from SCLK falling edge				20	ns
t <sub>DDOL</sub>	SDO Delay time from CSB rising edge				30	ns
t <sub>PCK</sub>	Period of SCK		100			ns
t <sub>HCK</sub>	SCK pulse width high	Measured from V <sub>IH</sub> to V <sub>IH</sub>	40			ns
t <sub>LSCK</sub>	SCK pulse width low	Measured from V <sub>IL</sub> to V <sub>IL</sub>	40			ns

## 6.3 Master clock timing

Table 4. AMCK timing

Symbol	Parameter	AMCK range	Min.	Typ.	Max.	Unit
$t_{CKDC}$	AMCK duty cycle	4 MHz-8 MHz	45		55	%
		8 MHz-32 MHz	40		60	%

# 7 Audio interfaces

Figure 9. Audio interfaces formats: delayed, left and right justified

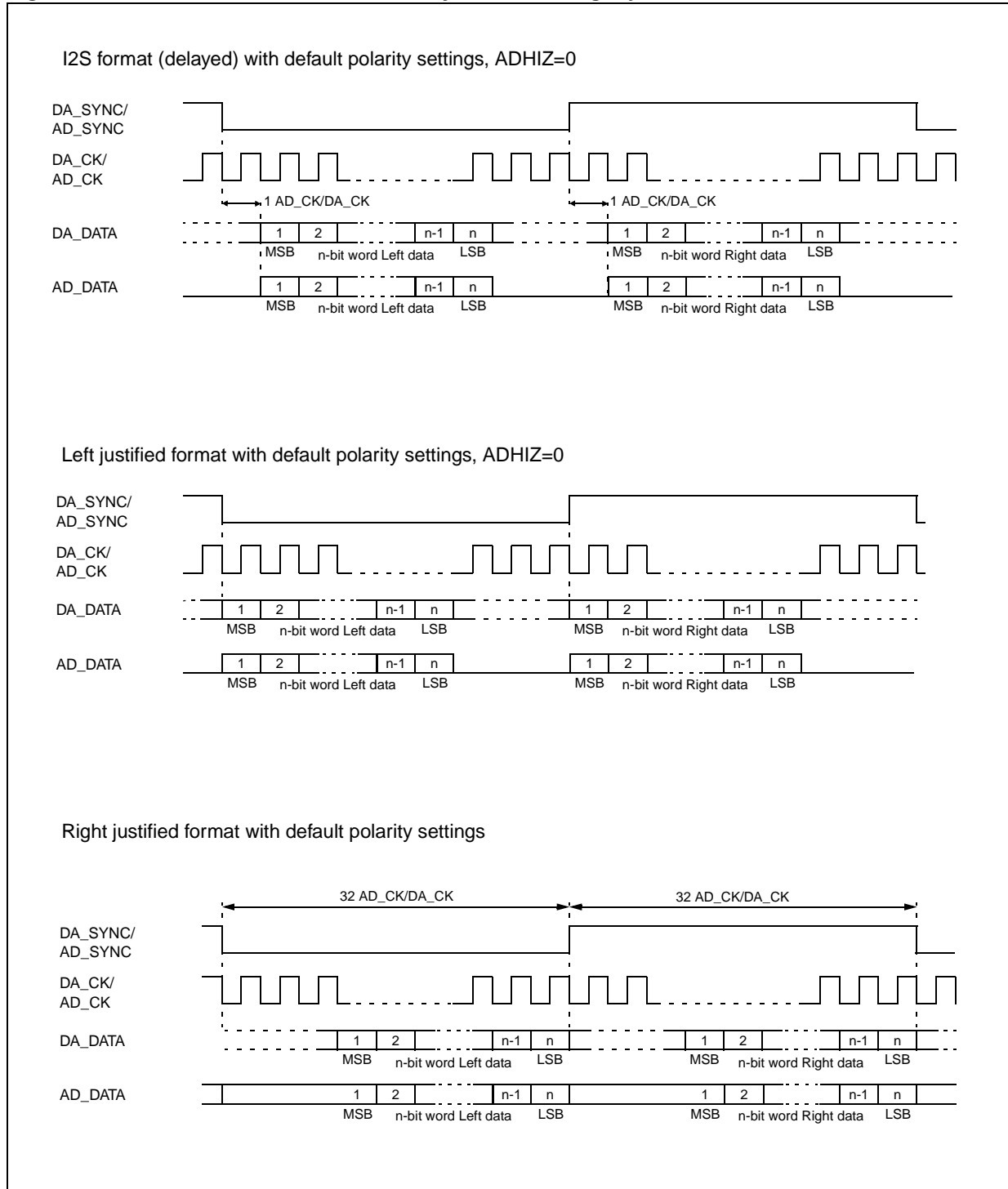




Figure 10. Audio interfaces formats: DSP, SPI and PCM

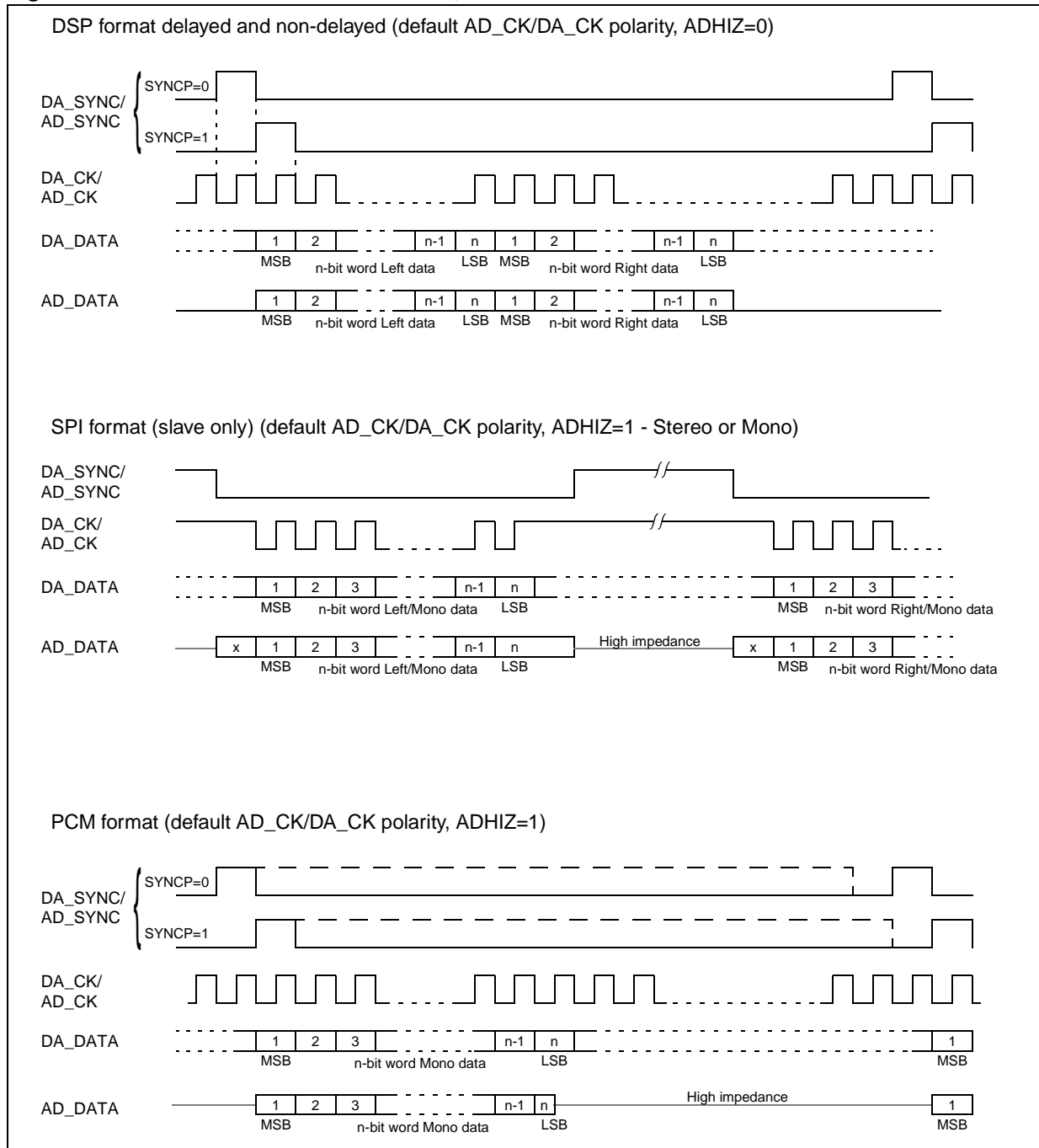


Figure 11. Audio interface timings: Master mode

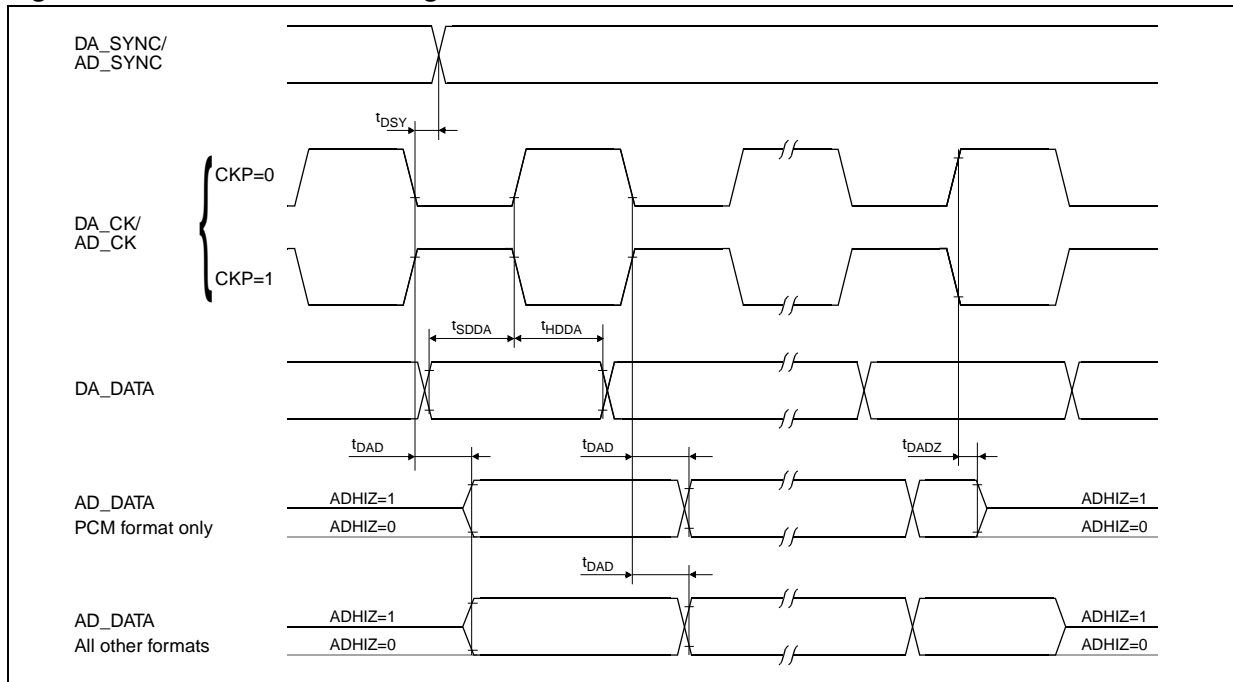


Figure 12. Audio interface timing: Slave mode

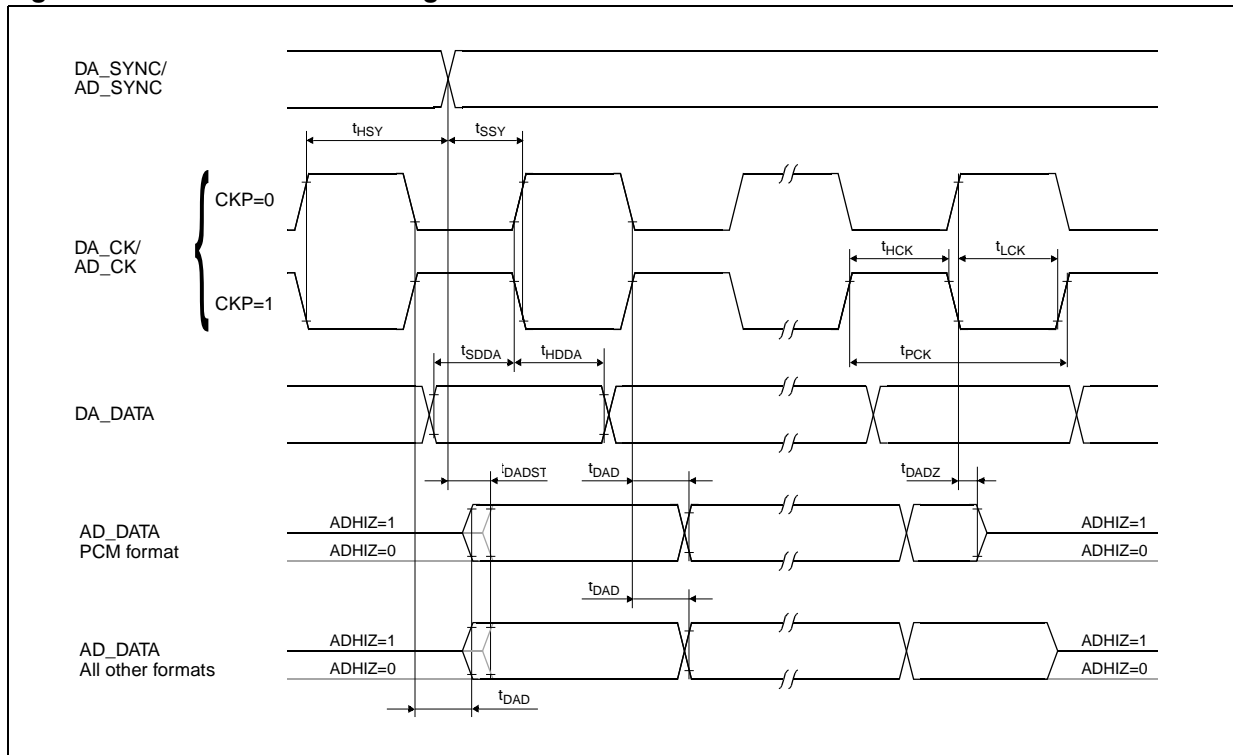


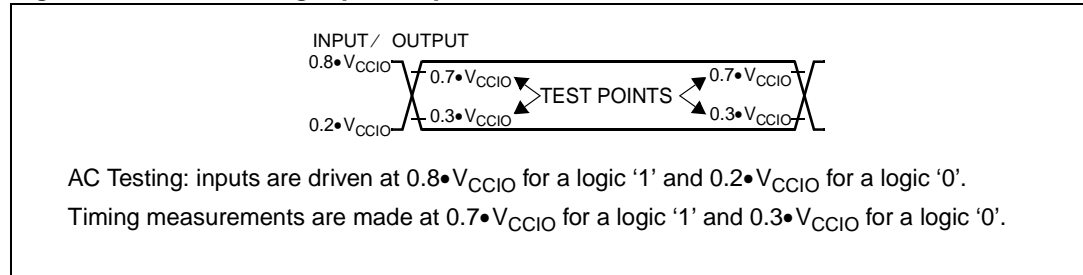
Table 5. Audio interface signals timing

Symbol	Parameter	Test Condition	Min.	Typ.	Max.	Unit
$t_{DSY}$	Delay of AD_SYNC/DA_SYNC edge from AD_CK/DA_CK active edge	Master Mode			10	ns
$t_{SDDA}$	Setup time DA_DATA to DA_CK active edge		10			ns
$t_{HDDA}$	Hold time DA_DATA from DA_CK active edge		10			ns
$t_{DAD}$	Delay of AD_DATA edge from AD_CK active edge				30	ns
$t_{DADST}$	Delay of the first AD_DATA edge from AD_SYNC active edge	AD_SYNC active edge comes after AD_CK active edge			30	ns
$t_{DADZ}$	Delay of AD_DATA high impedance from AD_SYNC inactive edge	PCM format	10		50	ns
$t_{SSY}$	Setup time AD_SYNC/DA_SYNC to AD_CK/DA_CK active edge	Slave Mode	20			ns
$t_{HSY}$	Hold time AD_SYNC/DA_SYNC from AD_CK/DA_CK active edge	Slave Mode	20			ns
$t_{PCK}$	Period of AD_CK/DA_CK	Slave Mode	100			ns
$t_{HCK}$	AD_CK/DA_CK pulse width high	Measured from $V_{IH}$ to $V_{IH}$	40			ns
$t_{LCK}$	AD_CK/DA_CK pulse width low	Measured from $V_{IL}$ to $V_{IL}$	40			ns

## 8 Timing specifications

Unless otherwise specified,  $V_{CCIO} = 1.71\text{ V}$  to  $2.7\text{ V}$ ,  $T_{amb} = -30^{\circ}\text{C}$  to  $85^{\circ}\text{C}$ , max capacitive load  $20\text{ pF}$ ; typical characteristics are specified at  $V_{CCIO} = 2.4\text{ V}$ ,  $T_{amb} = 25^{\circ}\text{C}$ ; all signals are referenced to GND, see Note below figure for timing definitions.

**Figure 13. A.C. testing input-output waveform**



- Note:* A signal is valid if it is above  $V_{IH}$  or below  $V_{IL}$  and invalid if it is between  $V_{IL}$  and  $V_{IH}$ . For the purpose of this specification the following conditions apply (see [Figure 13](#) above):
- All input signal are defined as:  $V_{IL} = 0.2 \cdot V_{CCIO}$ ,  $V_{IH} = 0.8 \cdot V_{CCIO}$ ,  $t_R < 10\text{ns}$ ,  $t_F < 10\text{ns}$ .
  - Delay times are measured from the inputs signal valid to the output signal valid.
  - Setup times are measured from the data input valid to the clock input invalid.
  - Hold times are measured from the clock signal valid to the data input invalid.

*Note:* All timing specifications subject to change.

## 9 Operative ranges

### 9.1 Absolute maximum ratings

**Table 6. Absolute maximum ratings**

Parameter	Value	Unit	
$V_{CC}$ or $V_{CCIO}$ to GND	-0.5 to 3.6	V	
$V_{CCA}$ or $V_{CCP}$ to GND	-0.5 to 5	V	
$V_{CCLS}$ to GND	-0.5 to 7	V	
Voltage at analog inputs ( $V_{CCA} \leq 3.3V$ )	GND-0.5 to $V_{CCA}+0.5$	V	
Maximum power delivered to the load from LSP/N	500	mW	
Peak current at HPR,HPL	100	mA	
Current at $V_{CCP}$ , $V_{CCLS}$ , GNDP	350	mA	
Current at any digital output	50	mA	
Voltage at any digital input ( $V_{CCIO} \leq 2.7V$ ); limited at $\pm 50mA$	GND-0.5 to $V_{CCIO}+0.5$	V	
Storage temperature range	-65 to 150	°C	
Operating temperature range <sup>(1)</sup>	-30 to 85	°C	
Electrostatic discharge voltage (Vesd)	Human body model <sup>(2)</sup>	-2 to +2	kV
	Charge device model <sup>(3)</sup>	-500 to +500	V

1. in some operating conditions the temperature can be limited to 70 °C. See Loudspeaker Driver description from [Section 4.9](#) for details.
2. HBM tests have been performed in compliance with JESD22-A114-B and ESD STM 5.1-2001.HBM
3. CDM tests have been performed in compliance with CDM ANSI-ESDSTM5.3.1-1999

### 9.2 Operative supply voltage

**Table 7. Operative power supply**

Symbol	Parameter	Condition	Min.	Max.	Unit
$V_{CC}$	Digital supply		1.71	2.7	V
$V_{CCA}$	Analog supply Note: $V_{CCA} \geq V_{CC}$	A24V=0 (bit 1 in CR0)	2.7	3.3	V
		A24V=1 (bit 1 in CR0)	2.4	2.7	V
$V_{CCIO}$	Digital I/O supply	D12V=0 (bit 0 in CR0)	1.71	$V_{CC}$	V
		D12V=1 (bit 0 in CR0)	1.2	1.8	V
$V_{CCP}$	Stereo power drivers supply		$V_{CCA}$	3.3	V
$V_{CCLS}$	Mono power driver supply		$V_{CCA}$	5.5	V
$V_G$	Single supply voltage range	$V_{CC}=V_{CCA}=V_{CCIO}=V_{CCP}=V_{CCLS}$ A24V=1 (bit 1 in CR0)	2.4	2.7	V

### 9.3 Power dissipation

Unless otherwise specified,  $V_{CCP} = V_{CCLS} = V_{CCA} = 2.7V$  to  $3.3V$ ,  $V_{CCIO} = V_{CC} = 1.71V$  to  $2.7V$ ,  $T_{amb} = -30^{\circ}C$  to  $85^{\circ}C$ , all analog outputs not loaded; typical characteristics are specified at  $V_{CCIO} = V_{CC} = 1.8V$ ,  $V_{CCP} = V_{CCLS} = V_{CCA} = 2.7V$ ,  $T_{amb} = 25^{\circ}C$ .

**Table 8. Power dissipation**

Symbol	Parameter	Test Condition	Min.	Typ.	Max.	Unit
POFF	Power Down Dissipation	No Master Clock AMCK=13MHz		0.4		$\mu W$
				2.9		$\mu W$
PAD	Stereo ADC power			26.3		mW
PDA	Stereo DAC power			23.3		mW
PDAAD	Stereo ADC+DAC power			46.9		mW
PAA	Stereo Analog Path power			13.8		mW

### 9.4 Typical power dissipation

$T_{amb} = 25^{\circ}C$ ; analog supply:  $V_{CCP} = V_{CCLS} = V_{CCA} = 2.7V$ ;  
digital supply:  $V_{CCIO} = V_{CC} = 1.8V$   
Full scale signal in every path,  $20k\Omega$  load at analog outputs.

**Table 9. Typical power dissipation - No master clock**

N.	Function	CR0-CR2 setting	Other settings	Supply	Current	Power
1	Power Down	CR0=0x00 CR1=0x00 CR2=0x00		Analog: Digital: <b>Total:</b>	0.02 $\mu A$ 0.20 $\mu A$	0.05 $\mu W$ 0.36 $\mu W$ <b>0.41 <math>\mu W</math></b>
2	Stereo analog path (Mic-LO)	CR0=0xD0 CR1=0x0C CR2=0xC0	MICLO=1 MICSEL=2	Analog: Digital: <b>Total:</b>	4.3 mA 2.0 $\mu A$	11.6 mW 0.0 mW <b>11.6 mW</b>
3	Stereo analog path (Mic-Mixer-LO)	CR0=0xD0; CR1=0x0C; CR2=0xC3	MIXMIC=1 MICSEL=2	Analog: Digital: <b>Total:</b>	5.4 mA 2.0 $\mu A$	14.6 mW 0.0 mW <b>14.6 mW</b>

Table 10. Typical power dissipation - Master clock AMCK = 13 MHz

N.	Function	CR0-CR2 setting	Other settings	Supply	Current	Power
4	Power Down	CR0=0x00 CR1=0x00 CR2=0x00		Analog: Digital: <b>Total:</b>	0.02 $\mu$ A 2.20 $\mu$ A	0.05 $\mu$ W 3.96 $\mu$ W <b>4.01 <math>\mu</math>W</b>
5	Stereo ADC	CR0=0xE8 CR1=0xCC CR2=0x00	MICSEL=1 ADMIC=1	Analog: Digital: <b>Total:</b>	7.9 mA 2.8 mA	21.3 mW 5.0 mW <b>26.3 mW</b>
6	Stereo DAC	CR0=0xE8 CR1=0x30 CR2=0x33	MIXDAC=1	Analog: Digital: <b>Total:</b>	6.1 mA 3.8 mA	16.5 mW 6.8 mW <b>23.3 mW</b>
7	Stereo analog path (Mic-LO)	CR0=0xE8 CR1=0x0C CR2=0xC0	MICLO=1 MICSEL=2	Analog: Digital: <b>Total:</b>	4.8 mA 0.8 mA	13.0 mW 1.4 mW <b>13.8 mW</b>
8	Stereo ADC Stereo DAC	CR0=0xE8 CR1=0xFC CR2=0x33	MICSEL=2 ADMIC=1 MIXDAC=1	Analog: Digital: <b>Total:</b>	13.5 mA 5.8 mA	36.5 mW 10.4 mW <b>46.9 mW</b>
9	Stereo ADC Stereo DAC Stereo analog path	CR0=0xE8 CR1=0xFF CR2=0xF3	LINSEL=2; MICSEL=2 ADLIN=1; MIXDAC=1 MICLO=1	Analog: Digital: <b>Total:</b>	15.2 mA 5.8 mA	41.0 mW 10.4 mW <b>51.4 mW</b>
10	Voice TX+RX	CR0=0xE8 CR1=0xA8 CR2=0x06	MICSEL=2; LSMODE=2 ADMIC=1 MIXDAC=1 ADVOICE=1 DAVOICE=1	$V_{CCA}, V_{CCP}$ : $V_{CCLS}$ : Digital <b>Total:</b>	6.8 mA 1.3 mA 2.5 mA	18.4 mW 5.5 mW 4.5 mW <b>28.4 mW</b>

## 10 Electrical characteristics

Unless otherwise specified,  $V_{CCIO} = 1.71\text{ V to }2.7\text{ V}$ ,  $T_{amb} = -30^{\circ}\text{C to }85^{\circ}\text{C}$ ; typical characteristic are specified at  $V_{CCIO} = 2.0\text{ V}$ ,  $T_{amb} = 25^{\circ}\text{C}$ ; all signals are referenced to GND.

### 10.1 Digital interfaces

**Table 11. Digital interfaces electrical characteristics**

Symbol	Parameter	Test Condition	Min.	Typ.	Max.	Unit
$V_{IL}$	Input low voltage	All digital inputs	DC		$0.3 \cdot V_{CCIO}$	V
			AC		$0.2 \cdot V_{CCIO}$	V
$V_{IH}$	Input high voltage	All digital inputs,	DC	$0.7 \cdot V_{CCIO}$		V
			AC	$0.8 \cdot V_{CCIO}$		V
$V_{OL}$	Output low voltage	All digital outputs	$I_L = 10\mu\text{A}$		0.1	V
			$I_L = 2\mu\text{A}$		0.4	V
$V_{OH}$	Output high voltage	All digital outputs	$I_L = 10\mu\text{A}$	$V_{CCIO}-0.1$		V
			$I_L = 2\mu\text{A}$	$V_{CCIO}-0.4$		V
$I_{IL}$	Input low current	Any digital input, $GND < V_{IN} < V_{IL}$	-1		1	$\mu\text{A}$
$I_{IH}$	Input high current	Any digital input, $V_{IH} < V_{IN} < V_{CCIO}$	-1		1	$\mu\text{A}$
$I_{OZ}$	Output current in high impedance (Tristate)	Tristate outputs	-1		1	$\mu\text{A}$

Note: See [Figure 13: A.C. testing input-output waveform on page 51](#).

### 10.2 AMCK with sinusoidal input

**Table 12. AMCK with sinusoidal input**

Symbol	Parameter	Test Condition	Min.	Typ.	Max.	Unit
$C_{AMCK}$	Minimum External Capacitance	AMCKSIN=1, see CR30	100			pF
$V_{AMCK}$	AMCK sinusoidal voltage swing	AMCKSIN=1, see CR30	0.5		$V_{CCIO}$	$V_{PP}$



## 10.3 Analog interfaces

**Table 13. Analog interfaces**

Symbol	Parameter	Test Condition	Min.	Typ.	Max.	Unit
$I_{MIC}$	MIC input leakage	$GND < V_{MIC} < V_{CCA}$	-100		+100	$\mu A$
$R_{MIC}$	MIC input resistance		30	50		$k\Omega$
$R_{LIN}$	Line in input resistance		30			$k\Omega$
$R_{LHP}$	Headphones (HP) drivers load resistance	HPL, HPR to GNDP or VCMHP	14.4	16/32		$\Omega$
$C_{LHP}$	Headphones (HP) drivers load capacitance	HPL, HPR to GNDP or VCMHP			50 50*	pF nF
$R_{LLS}$	Loudspeaker (LS) differential driver load resistance	LSP to LSN	6.4	8		$\Omega$
$C_{LLS}$	Loudspeaker (LS) differential driver load capacitance	LSP to LSN			50 50*	pF nF
$V_{OFFLS}$	Differential offset voltage at LSP, LSN	$R_L = 50\Omega$	-50		+50	mV
$R_{LOL}$	Line out (OL) diff./single-ended driver load resistance	OLP/ORP to OLN/ORN or OLP/ORP to GND (decoupled)	1			$k\Omega$

\* with series resistor

## 10.4 Headset plug-in and push-button detector

**Table 14. Headset plug-in and push-button detector**

Symbol	Parameter	Test Condition	Min.	Typ.	Max.	Unit
$HD_{VL}$	Plug-in detected	Voltage at HDET			$V_{CCA}-1$	V
$HD_{VH}$	Plug-in undetected	Voltage at HDET	$V_{CCA}-0.5$			V
$HD_H$	Plug-in detector hysteresis			100		mV
$PB_{VL}$	Push-button pressed	Voltage at HDET			0.5	V
$PB_{VH}$	Push-button released	Voltage at HDET	1			V
$PB_D$	Push-button de-bounce time		15		50	ms

## 10.5 Microphone bias

**Table 15. Microphone bias**

Symbol	Parameter	Test Condition	Min.	Typ.	Max.	Unit
$V_{\text{MBIAS}}$	MBIAS output voltage		1.95	2.1	2.25	V
$I_{\text{MBIAS}}$	MBIAS output current	From MBIAS to ground			1.1	mA
$R_{\text{MBIAS}}$	MBIAS output load		3.5			k $\Omega$
$C_{\text{MBIAS}}$	MBIAS output capacitance				150	pF
$\text{PSR}_{\text{MB4}}$ $\text{PSR}_{\text{MB20}}$	MBIAS power supply rejection	f<4kHz f<20kHz	60 50			dB dB

## 10.6 Power supply rejection ratio

**Table 16. Power supply ratio**

Symbol	Parameter	Test Condition	Min.	Typ.	Max.	Unit
$\text{PSR}_{\text{L20}}$ $\text{PSR}_{\text{L200}}$	PSRR $V_{\text{CCLS}}$	Each output(LSP, LSN) f<20kHz f<200kHz		65 47		dB dB
$\text{PSR}_{\text{PH}}$ $\text{PSR}_{\text{POS}}$ $\text{PSR}_{\text{POD}}$	PSRR $V_{\text{CCP}}$	Headphones f<20kHz Line out single ended f<20kHz Line out differential f<20kHz		65 65 65		dB dB dB
$\text{PSR}_{\text{AM}}$ $\text{PSR}_{\text{AL}}$	PSRR $V_{\text{CCA}}$	Mic input f<20kHz Line In f<20kHz		50 50		dB dB

## 10.7 LS gain limiter

**Table 17. LS gain limiter**

Symbol	Parameter	Test Condition	Min.	Typ.	Max.	Unit
$V_{\text{LSLIMH}}$	High voltage at $V_{\text{CCLS}}$ (VLSH=1)	$V_{\text{CCLS}}$ raising		4.2		V
$V_{\text{LSLIML}}$	Low voltage at $V_{\text{CCLS}}$ (VLSH=0)	$V_{\text{CCLS}}$ falling		4.0		V
$V_{\text{LSLIMD}}$	$V_{\text{CCLS}}$ Hysteresis			200		mV

Note: See CR32 for VLSH definition. See Loudspeaker driver description in [Section 4.9](#) for details.

# 11 Analog input/output operative ranges

## 11.1 Analog levels

Table 18. Reference full scale analog levels

Symbol	Parameter	Test Condition	Min.	Typ.	Max.	Unit
	0dBFS level	$2.7V < V_{CCA} < 3.3V$		12 4		$\text{dBV}_{pp}$ $V_{pp}$
	0dBFS level low voltage mode	$2.4V < V_{CCA} < 2.7V$		10 3.18		$\text{dBV}_{pp}$ $V_{pp}$

## 11.2 Microphone input levels

Analog supply range:  $2.7V < V_{CCA} < 3.3V$

Table 19. Absolute levels at pins connected to preamplifiers

Symbol	Parameter	Test Condition	Min.	Typ.	Max.	Unit
	Overload level, single ended	MIC gain = 0 to 6dB		707 2 -6		$\text{mV}_{RMS}$ $V_{pp}$ dBFS
	Overload level, single ended, versus MIC gain	MIC gain > 6dB		-(MIC_Gain)		dBFS
	Overload level, differential	MIC gain = 0dB		1.41 4 0		$\text{mV}_{RMS}$ $V_{pp}$ dBFS
	Overload level, differential, versus MIC gain	MIC gain > 0dB		-(MIC_Gain)		dBFS

Note: When  $2.4V < V_{CCA} < 2.7V$ , voltage values are reduced by 2dB.

## 11.3 Line input levels

Analog supply range:  $2.7\text{ V} < V_{CCA} < 3.3\text{ V}$

**Table 20. Absolute levels at pins connected to the line-in amplifiers**

Symbol	Parameter	Test Condition	Min.	Typ.	Max.	Unit
	Overload level, single ended	Line in gain from -20dB to 6dB		707 2 -6		mV <sub>RMS</sub> V <sub>pp</sub> dBFS
	Overload level (single ended) versus line in gain	Line in gain > 6dB	-(Line_In_Gain)			dBFS
	Overload level (differential)	Line in gain from -20dB to 0dB		1.41 4 0		mV <sub>RMS</sub> V <sub>pp</sub> dBFS
	Overload level (differential) versus line in gain	Line in gain > 0dB	-(Line_In_Gain)			dBFS

Note: When  $2.4\text{ V} < V_{CCA} < 2.7\text{ V}$ , the values are reduced by 2dB

## 11.4 Line output levels

Analog supply range:  $2.7\text{ V} < V_{CCA} < 3.3\text{ V}$

**Table 21. Absolute levels at OLP/OLN, ORP/ORN**

Symbol	Parameter	Test Condition	Min.	Typ.	Max.	Unit
	Output level, single ended	0 dB gain Full scale digital input		707 2 -6		mV <sub>RMS</sub> V <sub>pp</sub> dBFS
	Output level, differential	0 dB gain Full scale digital input		1.41 4 0		mV <sub>RMS</sub> V <sub>pp</sub> dBFS

Note: When  $2.4\text{ V} < V_{CCA} < 2.7\text{ V}$ , the values are reduced by 2dB

## 11.5 Power output levels HP

Analog supply range:  $2.7\text{ V} < V_{CCA} < 3.3\text{ V}$

**Table 22. Absolute levels at HPL - HPR**

Symbol	Parameter	Test Condition	Min.	Typ.	Max.	Unit
	Output level	-6dB gain Full scale digital input		707 2 -6		mV <sub>RMS</sub> V <sub>pp</sub> dBFS
	Max output power <sup>(1)</sup>	16 Ω load V <sub>CCP</sub> > 3.2 V	40			mW

Note: When  $2.4\text{ V} < V_{CCA} < 2.7\text{ V}$ , the values are reduced by 2dB

## 11.6 Power output levels LS

Analog supply range:  $2.7\text{ V} < V_{CCA} < 3.3\text{ V}$

**Table 23. Absolute levels at LSP - LSN (differential)**

Symbol	Parameter	Test Condition	Min.	Typ.	Max.	Unit
	Output level	0 dB gain Full scale digital input		1.41 4 0		V <sub>RMS</sub> V <sub>pp</sub> dBFS
	Max output power <sup>(1)</sup>	8 Ω load V <sub>CCLS</sub> > 4V	500			mW

1. In some operating conditions the maximum output power can be limited. See "[Section 9.1: Absolute maximum ratings](#)" and "Loudspeaker Driver" description from [Section 4.9: Analog output drivers](#) for details.

Note: When  $2.4\text{ V} < V_{CCA} < 2.7\text{ V}$ , the values are reduced by 2dB

## 12 Stereo audio ADC specifications

Typical measures- $V_{CCA}=V_{CCP}=V_{CCLs}=2.7V$ ;  $V_{CCIO}=V_{CC}=1.8V$ ;  $T_{amb}=25^{\circ}C$ ; 13 MHz AMCK

**Table 24. Stereo audio ADC specifications**

Symbol	Parameter	Test Condition	Min.	Typ.	Max.	Unit
ADN	Resolution				20	Bits
ADDRM ADDRLI	Dynamic range	20Hz to 20kHz, A-weighted Measured at -60dBFS MIC input, 21dB gain Line-In, 0dB gain	87 89	91 93		dB dB
ADSNA ADSN	Signal to noise ratio	Max level at MIC input, 21dB gain A-weighted Unweighted (20 Hz to 20 kHz)		90 86		dB dB
	Input referred ADC noise	A-weighted Mic input 0dB Gain Mic input 21dB Gain Mic input 39dB Gain Line in input 0dB Gain Line in input 18dB Gain		37 3.3 1.9 30 7.5		$\mu V$ $\mu V$ $\mu V$ $\mu V$ $\mu V$
ADTHD	Total harmonic distortion	Max level at MIC input, 21dB gain		0.001	0.003	%
	Deviation from linear phase	Measurement bandwidth 20Hz to 20kHz, $F_s=48kHz$ . Combined digital and analog filter characteristics			1	Deg
ADf <sub>PB</sub>	Passband	Combined digital and analog filter characteristics AD96K=0	0		0.45F <sub>s</sub>	kHz
	Passband ripple	Combined digital and analog filter characteristics AD96K=0			0.2	dB
ADf <sub>SB</sub>	Stopband	Combined digital and analog filter characteristics AD96K=0	0.55F <sub>s</sub>			kHz
	Stopband Attenuation	Measurement bandwidth up to 3.45F <sub>s</sub> . Combined digital and analog filter characteristics, AD96K=0	60			dB
ADt <sub>gd</sub>	Group delay	Audio filters, 96kHz FS Audio filters, 48kHz FS Audio filters, 8kHz FS		0.11 0.4 2.6		ms ms ms
	Interchannel isolation			90		dB
	Interchannel gain mismatch				0.2	dB
	Gain error				0.5	dB

Note: When  $2.4V < V_{CCA} < 2.7V$ , the values are reduced by 2dB

## 13 Stereo audio DAC specifications

Typical measures -  $V_{CCA}=V_{CCP}=V_{CCLS}=2.7V$ ;  $V_{CCIO}=V_{CC}=1.8V$ ;  $T_{amb}=25^{\circ}C$ ; 13MHz AMCK

**Table 25. Stereo audio DAC specifications**

Symbol	Parameter	Test Condition	Min.	Typ.	Max.	Unit	
DAN	Resolution				20	Bits	
DADR	Dynamic range	20Hz to 20kHz, A-weighted. Measured at -60dBFS	92	95		dB	
		Differential line out					93
		Single-ended line out					94
		HPL/HPR to GND or VCMHP LSP-LSN					94
DASNA DASN	Signal to noise ratio	2V <sub>pp</sub> output HPL, HPR gain set to -6dB, 16Ω load A-weighted		94		dB	
		Unweighted (20 Hz to 20 kHz)		90		dB	
DATHDL	Total harmonic distortion Worst case load	2V <sub>pp</sub> output HPL, HPR gain set to -6dB, 16Ω load		0.02	0.04	%	
DATHD	Total harmonic distortion	2V <sub>pp</sub> output, HPL, HPR gain set to -6dB, 1kΩ load		0.004		%	
	Deviation from linear phase	Measurement bandwidth 20Hz to 20kHz, F <sub>s</sub> = 48kHz. Combined digital and analog filter characteristics			1	Deg	
DA <sub>fPB</sub>	Passband	Combined digital and analog filter characteristics, DA96K=0	0		0.45F <sub>s</sub>	kHz	
	Passband ripple	Combined digital and analog filter characteristics, DA96K=0			0.2	dB	
DA <sub>fSB</sub>	Stopband	Combined digital and analog filter characteristics, DA96K=0	0.55F <sub>s</sub>			kHz	
	Stopband attenuation	Measurement bandwidth up to 3.45F <sub>s</sub> . Combined digital and analog filter characteristics, DA96K=0	50			dB	
TSF	Transient suppression filter cut-off frequency		15		23	Hz	
	Out of band noise	Measurement bandwidth 20 kHz to 100 kHz. Zero input signal		-85		dBr	
DA <sub>tgd</sub>	Group delay	Audio filters, 96kHz FS		0.09		ms	
		Audio filters, 48kHz FS		0.4		ms	
		Audio filters, 8kHz FS		2.6		ms	

**Table 25. Stereo audio DAC specifications**

Symbol	Parameter	Test Condition	Min.	Typ.	Max.	Unit
	Interchannel isolation	2Vpp output HPR, HPL unloaded		100		dB
		HPR, HPL with 16Ω to VCMHP		60		dB
	Interchannel gain mismatch				0.2	dB
	Gain error				0.5	dB
SUT	Startup time from power up	FS=48 kHz Line out		1		ms
		HPL/R out		10		ms

Note: When  $2.4\text{ V} < V_{CCA} < 2.7\text{ V}$ , values are reduced by 2 dB

## 14 AD to DA mixing (sidetone) specifications

Typical measures -  $V_{CCA}=V_{CCP}=V_{CCLS}=2.7\text{V}$ ;  $V_{CCIO}=V_{CC}=1.8\text{V}$ ;  $T_{amb}=25^\circ\text{C}$ ; 13MHz AMCK

**Table 26. AD to DA mixing (sidetone) specifications**

Symbol	Parameter	Test Condition	Min.	Typ.	Max.	Unit
STDEL	AD to DA mixing (sidetone) delay	Valid for audio and voice filters		5	10	μs



## 15 Stereo analog-only path specifications

Measured at differential line-out, ENOSC=1, No master clock.

Typical measures at  $V_{CCA}=V_{CCP}=V_{CCLS}=2.7V$ ;  $V_{CCIO}=V_{CC}=1.8V$ ;  $T_{amb}=25^{\circ}C$

**Table 27. Stereo analog-only path specifications**

Symbol	Parameter	Test Condition	Min.	Typ.	Max.	Unit
AADRM AADRLI	Dynamic range	20Hz to 20kHz, A-weighted. Measured at -60dBFS MIC input, 21dB gain Line-In, 0dB gain	90 90	95 97		dB dB
AASNA AASN	Signal to noise ratio	Max level at line-in input, 0dB gain, A-weighted Unweighted (20 Hz to 20 kHz)		97 94		dB dB
AATHD	Total harmonic distortion	1kHz @ 0dBFS MIC input, 21dB gain Line-in input, 0dB gain		0.003 0.004	0.01 0.02	% %

Note: When  $2.4V < V_{CCA} < 2.7V$ , the values are reduced by 2dB.

## 16 ADC (TX) and DAC (RX) specifications with voice filters selected

Typical measures -  $V_{CCA}=V_{CCP}=V_{CCLS}=2.7V$ ;  $V_{CCIO}=V_{CC}=1.8V$ ;  $T_{amb}=25^{\circ}C$ ; 13MHz AMCK

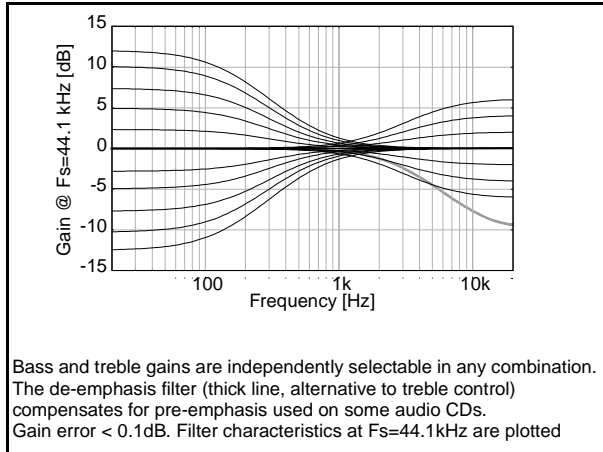
**Table 28. ADC and DCA specifications with voice filters selected**

Symbol	Parameter	Test Condition	Min.	Typ.	Max.	Unit
TXDR RXDR	Dynamic range	300Hz to 3.4kHz; 1kHz @ -60dBFS TX Path, MIC input, 21dB gain RX Path, LS Output, 0dB gain	86 83	89 86		dB dB
TXSN RXSN	Signal to noise ratio	300Hz to 3.4kHz; 1kHz @ 0dBFS TX Path, MIC input, 21dB gain RX Path, LS Output, 0dB gain		88 86		dB dB
THD	THD	1kHz @ 0dBFS TX Path, MIC input, 21dB gain RX Path, LS Output, 0dB gain		<0.001 0.005		% %
TXG	TX gain mask	f=60Hz f=100Hz f=200Hz f=300Hz f=400Hz-3000Hz f=3400Hz f=4000H f=4600Hzz f=8000Hz	-1.5 -0.5 -1.5		-30 -24 -6 0.5 0.5 0.0 -14 -35 -47	dB dB dB dB dB dB dB dB dB
RXG	RX gain mask	f=60Hz f=100Hz f=200Hz f=300Hz f=400Hz-3000Hz f=3400Hz f=4000Hz f=5000Hz	-1.5 -0.5 -1.5		-20 -12 -2 0.5 0.5 0.0 -14 -50	dB dB dB dB dB dB dB dB
	RX out of band noise	Measurement bandwidth 4kHz to 100kHz. Zero input signal		-85		dBr
	Group delay	TX path RX path		0.32 0.28		ms ms

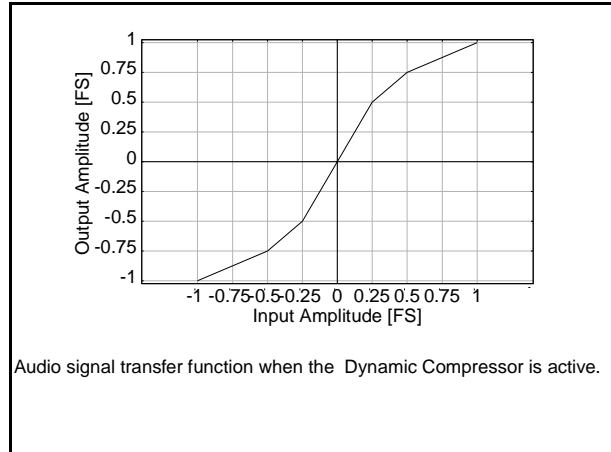
Note: When  $2.4V < V_{CCA} < 2.7V$ , the values are reduced by 2dB

# 17 Typical performance plots

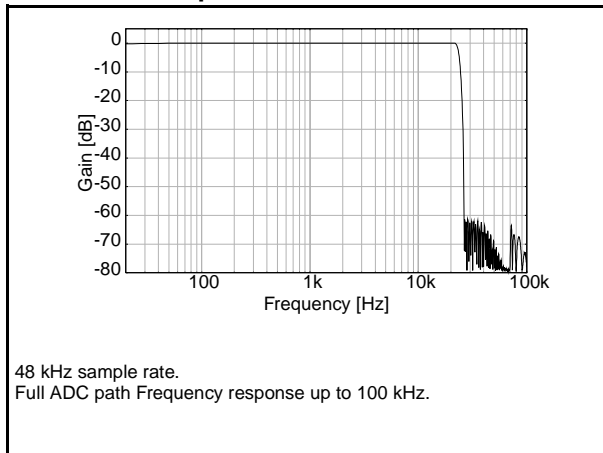
**Figure 14. Bass treble control, de-emphasis filter**



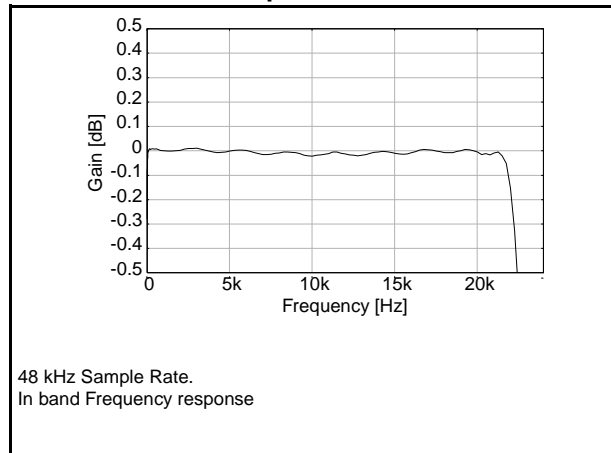
**Figure 15. Dynamic compressor transfer function**



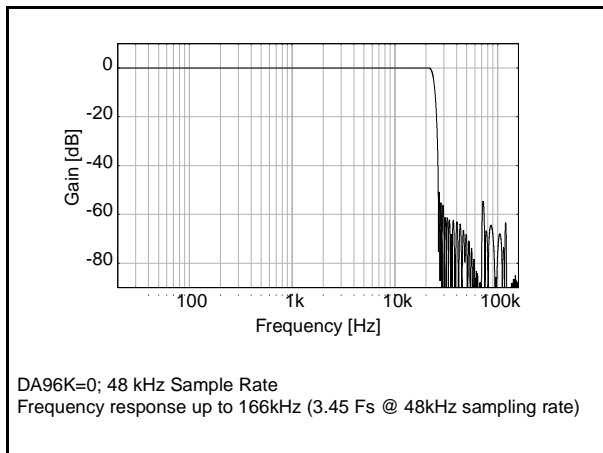
**Figure 16. ADC audio path measured filter response**



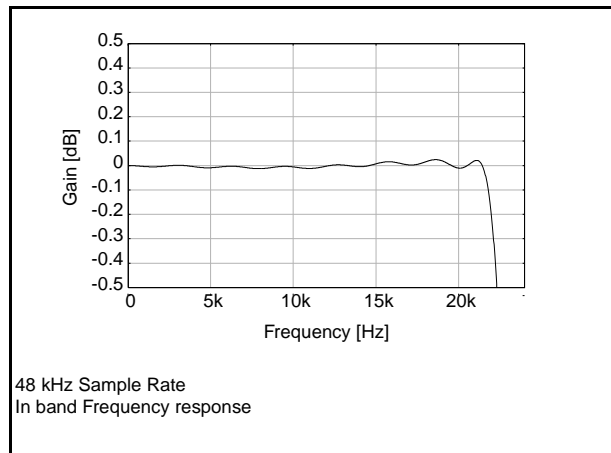
**Figure 17. ADC in band audio path measured filter response**



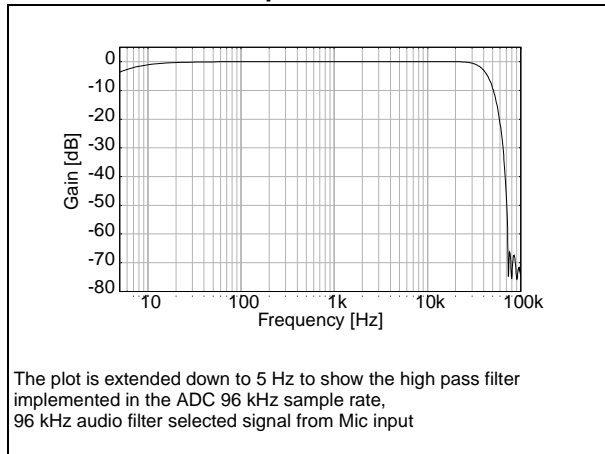
**Figure 18. DAC digital audio filter characteristics**



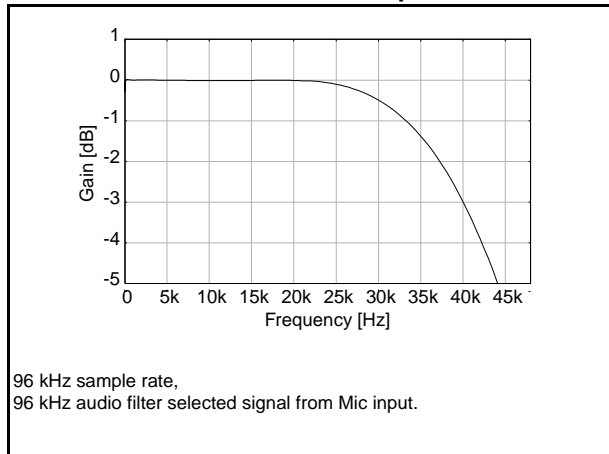
**Figure 19. DAC in band digital audio filter characteristics**



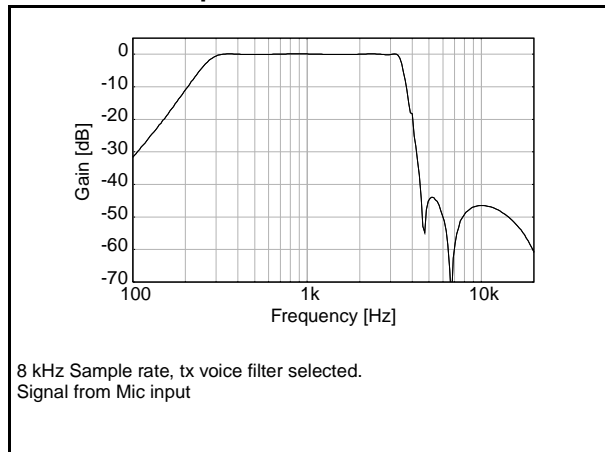
**Figure 20. ADC 96 kHz audio path measured filter response**



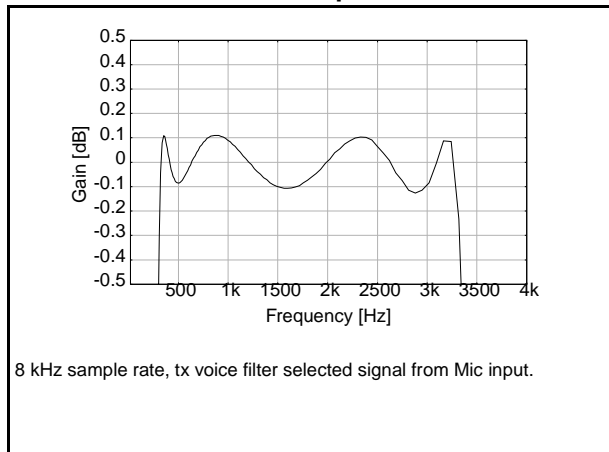
**Figure 21. ADC 96 kHz audio in-band measured filter response**



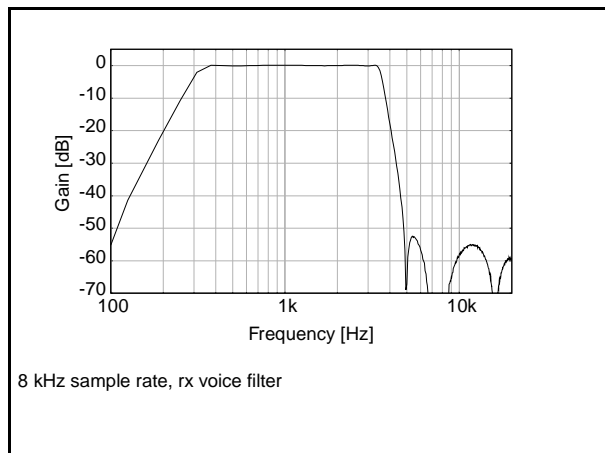
**Figure 22. ADC voice TX path measured filter response**



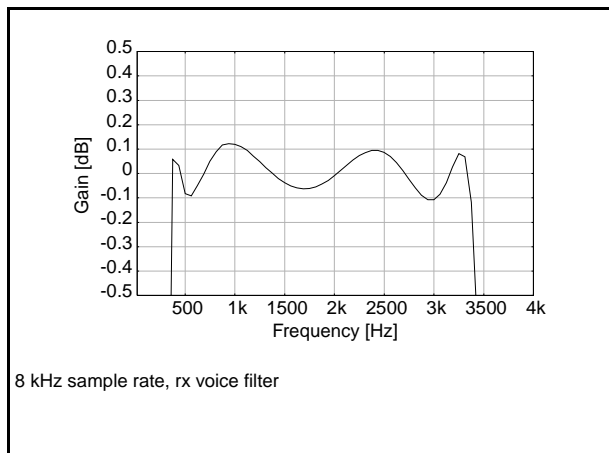
**Figure 23. ADC voice TX path measured in-band filter response**



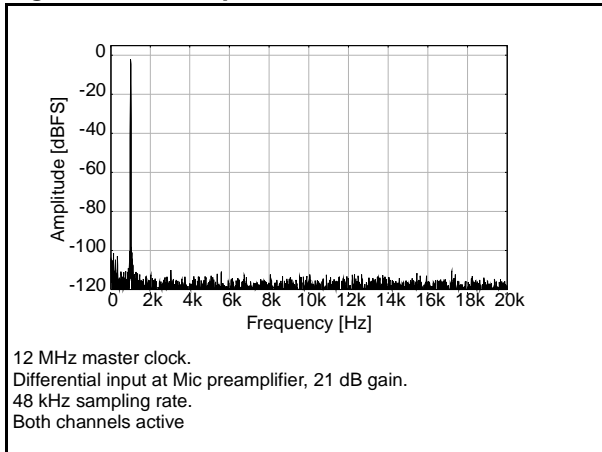
**Figure 24. DAC voice (RX) digital filter characteristics**



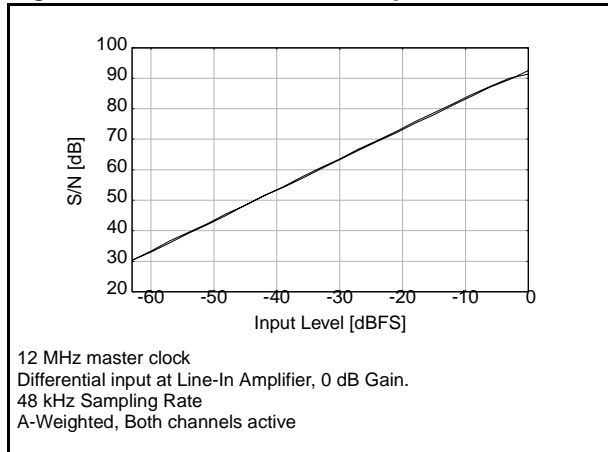
**Figure 25. DAC voice (RX) in-band digital filter characteristics**



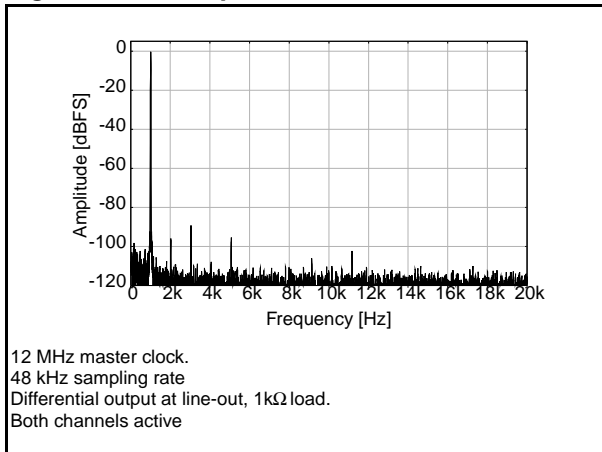
**Figure 26. ADC path FFT**



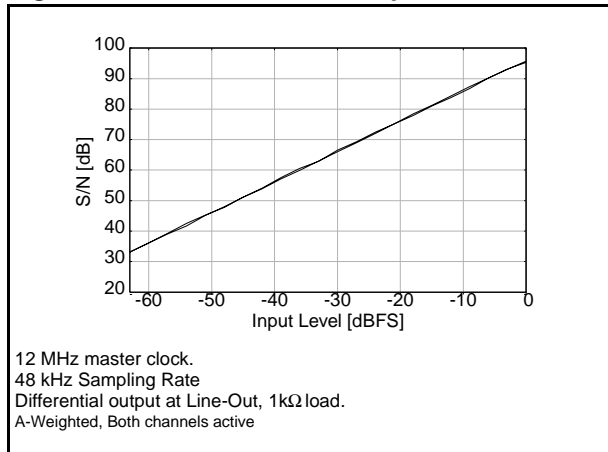
**Figure 27. ADC S/N versus input-level**



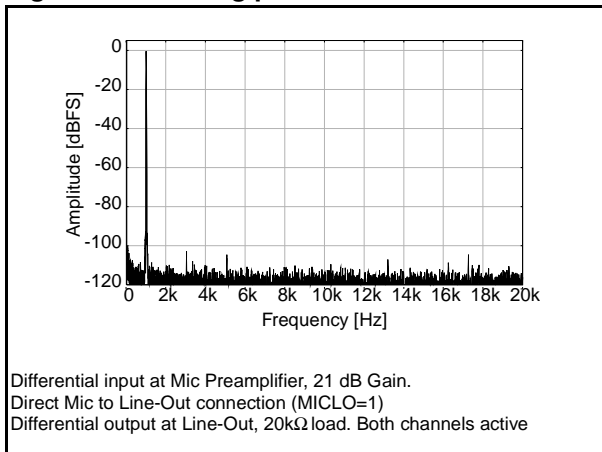
**Figure 28. DAC path FFT**



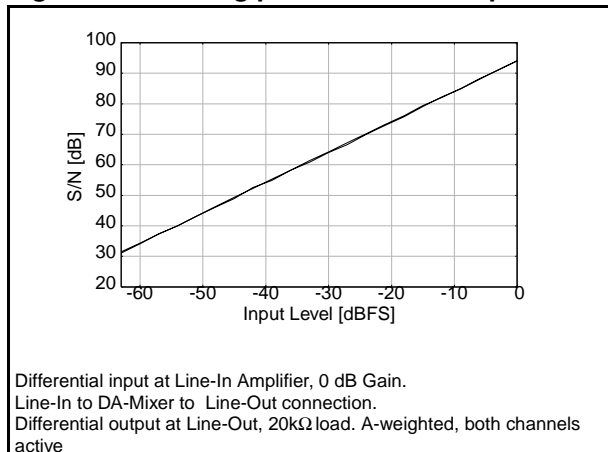
**Figure 29. DAC S/N versus input-level**



**Figure 30. Analog path FFT**

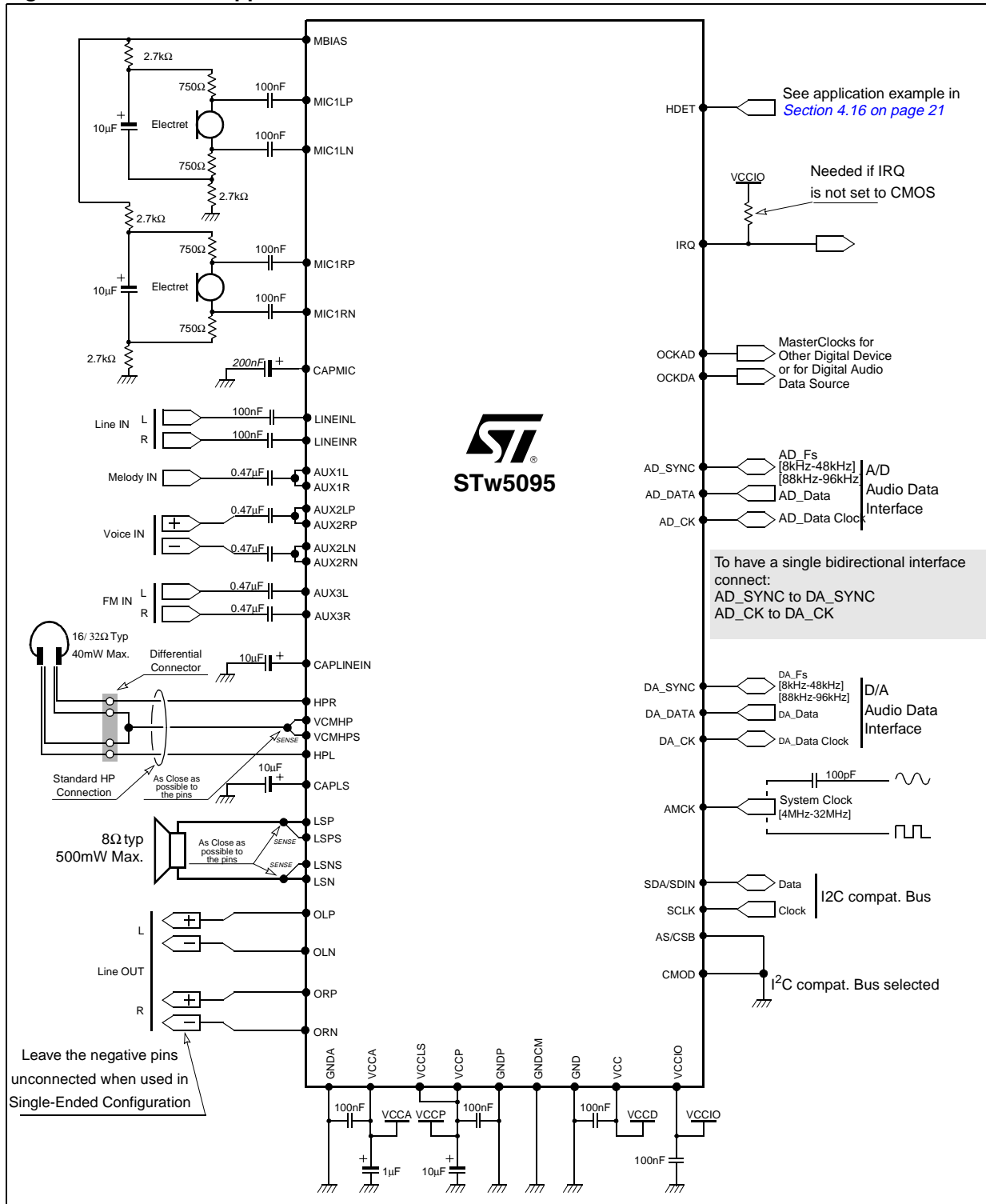


**Figure 31. Analog path S/N versus input-level**



# 18 Application schematics

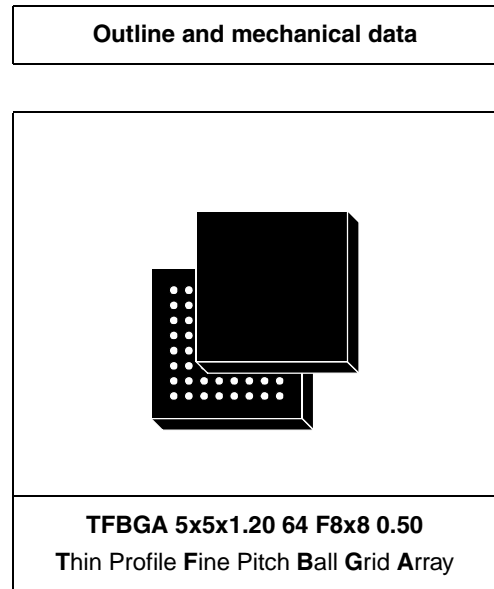
Figure 32. STw5095 application schematics



# 19 Package outline

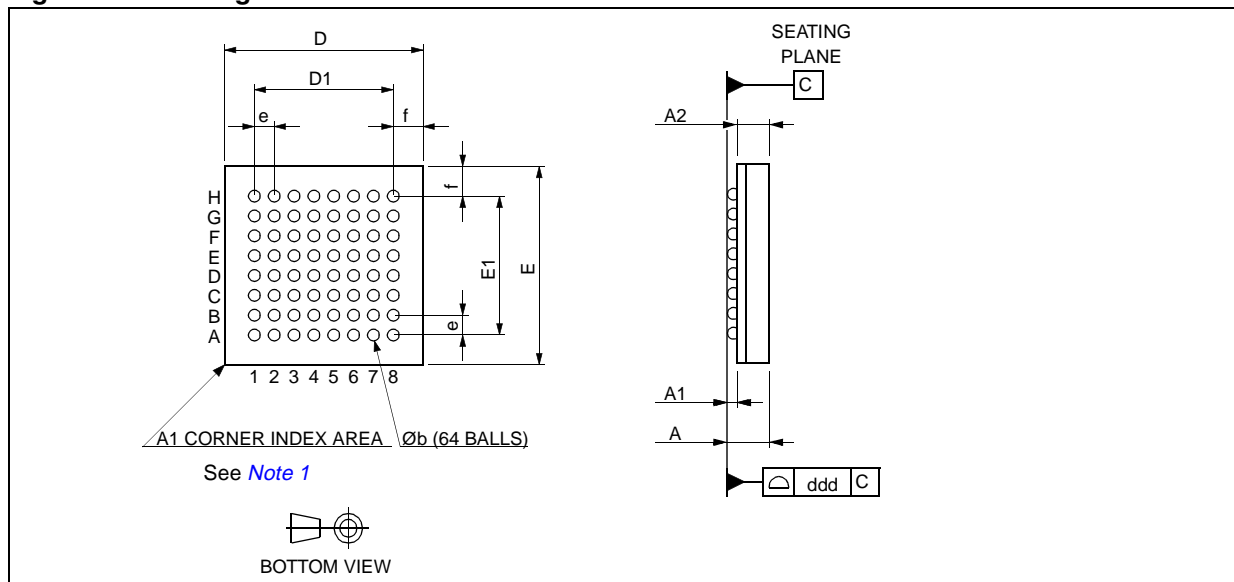
**Table 29. Package dimensions (mm)**

Ref.	Min.	Typ.	Max.
A <sup>(1)</sup>	1.010		1.200 <sup>(2)</sup>
A1	0.150		
A2		0.820	
b	0.250	0.300	0.350
D	4.850	5.000	5.150
D1		3.500	
E	4.850	5.000	5.150
E1		3.500	
e	0.450	0.500	0.550
f	0.600	0.750	0.900
ddd			0.080



1. The total profile height is measured from the seating plane to the top of the component.
2. Max mounted height is 1.12mm. Based on a 0.28mm ball pad diameter. Solder paste is 0.15mm thickness and 0.28mm diameter.

**Figure 33. Package mechanical data**



**Note:** 1 The terminal A1 corner must be identified on the top surface by using a corner chamfer, ink or metallized markings, or other feature of package body or integral heatslug. A distinguishing feature is allowable on the bottom surface of the package to identify the terminal A1 corner. Exact shape of each corner is optional.

## 20 Ordering information

**Table 30. Order codes**

Part Number	Package	Packing
STw5095	TFBGA 64	Tray
STw5095T	TFBGA 64	Tape and reel

## 21 Revision history

**Table 31. Document revision history**

Date	Revision	Changes
0.8-Nov-2005	1	Initial release.
16-May-2006	2	Document status update to final datasheet. <i>Section 4.3: Power up</i> - Added details about general power up bit. <i>Table 25: Stereo audio DAC specifications</i> - Update of minimum value for dynamic range at differential line out.
23-Apr-2007	3	Updated PAD, PDA and PDAAD in <i>Table 8: Power dissipation</i> . Updated PSRpos, PSRpod and PSRal in <i>Table 16: Power supply ratio</i> . Updated IMBIAS value in <i>Table 15: Microphone bias</i> . Added Electrostatic discharge voltage and updated the minimum storage temperature value in <i>Table 6: Absolute maximum ratings</i> .



**Please Read Carefully:**

Information in this document is provided solely in connection with ST products. STMicroelectronics NV and its subsidiaries ("ST") reserve the right to make changes, corrections, modifications or improvements, to this document, and the products and services described herein at any time, without notice.

All ST products are sold pursuant to ST's terms and conditions of sale.

Purchasers are solely responsible for the choice, selection and use of the ST products and services described herein, and ST assumes no liability whatsoever relating to the choice, selection or use of the ST products and services described herein.

No license, express or implied, by estoppel or otherwise, to any intellectual property rights is granted under this document. If any part of this document refers to any third party products or services it shall not be deemed a license grant by ST for the use of such third party products or services, or any intellectual property contained therein or considered as a warranty covering the use in any manner whatsoever of such third party products or services or any intellectual property contained therein.

**UNLESS OTHERWISE SET FORTH IN ST'S TERMS AND CONDITIONS OF SALE ST DISCLAIMS ANY EXPRESS OR IMPLIED WARRANTY WITH RESPECT TO THE USE AND/OR SALE OF ST PRODUCTS INCLUDING WITHOUT LIMITATION IMPLIED WARRANTIES OF MERCHANTABILITY, FITNESS FOR A PARTICULAR PURPOSE (AND THEIR EQUIVALENTS UNDER THE LAWS OF ANY JURISDICTION), OR INFRINGEMENT OF ANY PATENT, COPYRIGHT OR OTHER INTELLECTUAL PROPERTY RIGHT.**

**UNLESS EXPRESSLY APPROVED IN WRITING BY AN AUTHORIZED ST REPRESENTATIVE, ST PRODUCTS ARE NOT RECOMMENDED, AUTHORIZED OR WARRANTED FOR USE IN MILITARY, AIR CRAFT, SPACE, LIFE SAVING, OR LIFE SUSTAINING APPLICATIONS, NOR IN PRODUCTS OR SYSTEMS WHERE FAILURE OR MALFUNCTION MAY RESULT IN PERSONAL INJURY, DEATH, OR SEVERE PROPERTY OR ENVIRONMENTAL DAMAGE. ST PRODUCTS WHICH ARE NOT SPECIFIED AS "AUTOMOTIVE GRADE" MAY ONLY BE USED IN AUTOMOTIVE APPLICATIONS AT USER'S OWN RISK.**

Resale of ST products with provisions different from the statements and/or technical features set forth in this document shall immediately void any warranty granted by ST for the ST product or service described herein and shall not create or extend in any manner whatsoever, any liability of ST.

ST and the ST logo are trademarks or registered trademarks of ST in various countries.

Information in this document supersedes and replaces all information previously supplied.

The ST logo is a registered trademark of STMicroelectronics. All other names are the property of their respective owners.

© 2007 STMicroelectronics - All rights reserved

STMicroelectronics group of companies

Australia - Belgium - Brazil - Canada - China - Czech Republic - Finland - France - Germany - Hong Kong - India - Israel - Italy - Japan - Malaysia - Malta - Morocco - Singapore - Spain - Sweden - Switzerland - United Kingdom - United States of America

[www.st.com](http://www.st.com)