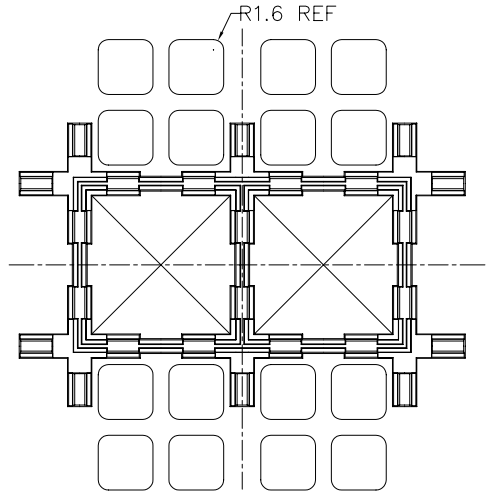
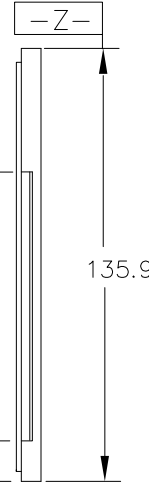
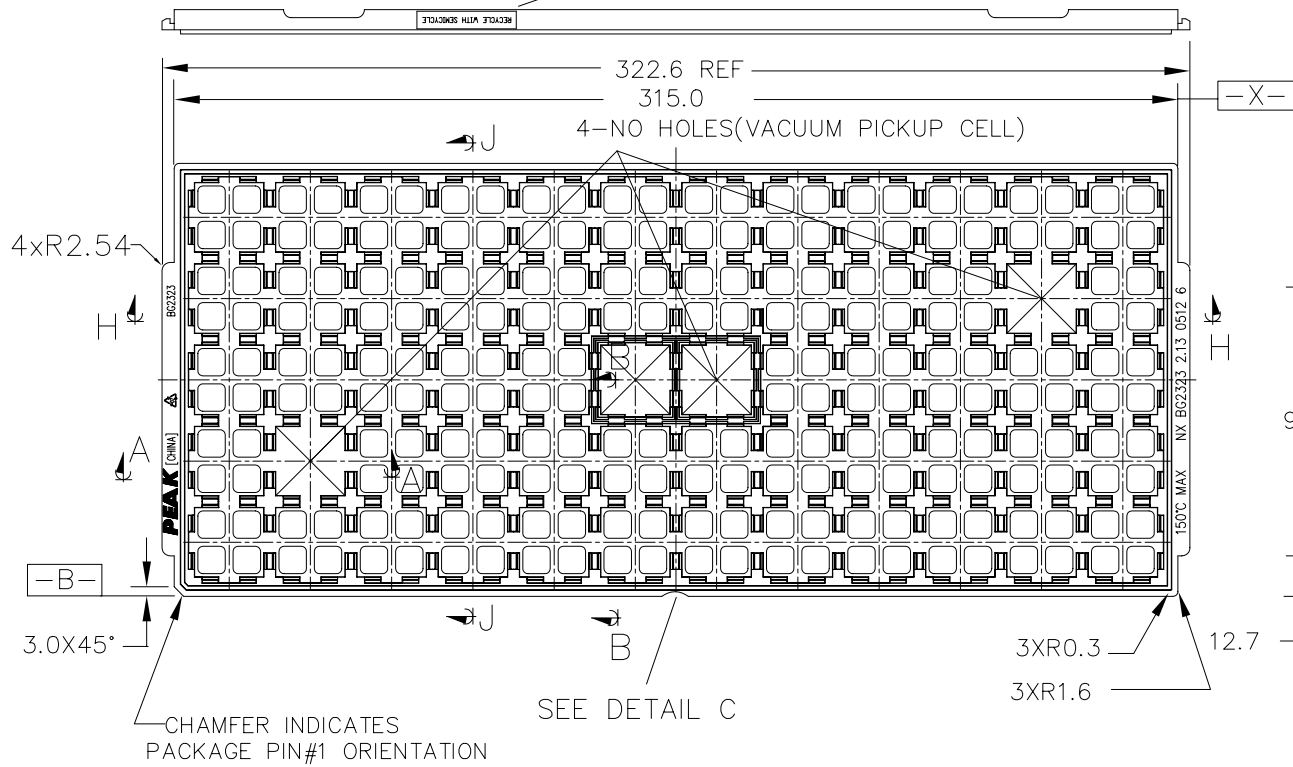
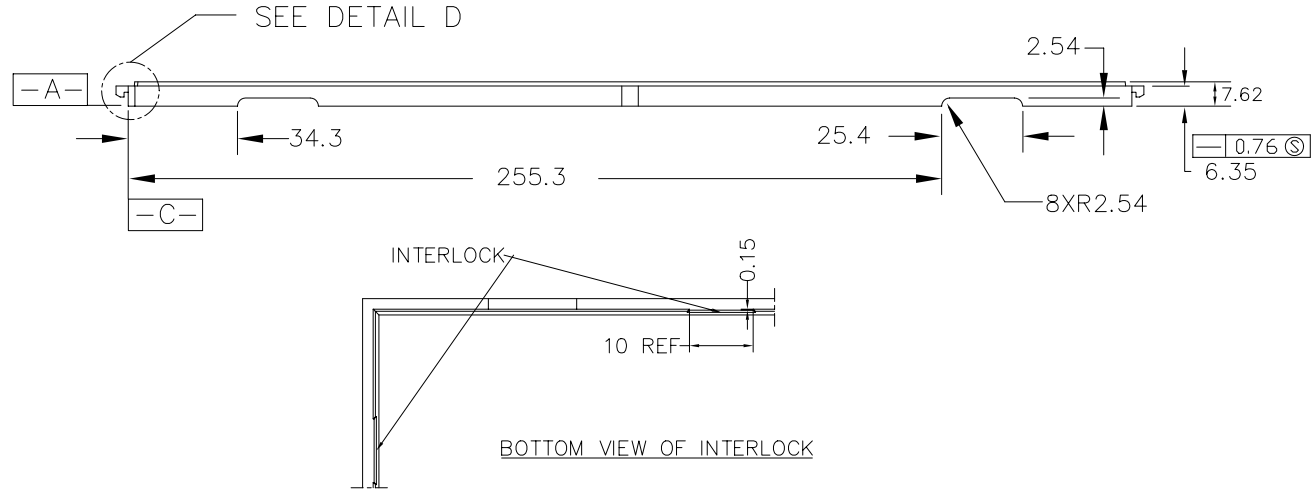


**PEAK**

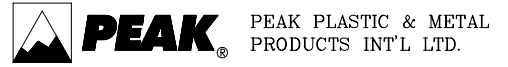
RECYCLE WITH SEMICYCLE



DETAIL CENTER(2:1)



- NOTES :
1. MATERIAL - PP6.
  2. ALL DIMENSIONS ARE IN MILLIMETERS.
  3. TOLERANCES - X.X=±0.25  
- X.XX=±0.13  
UNLESS OTHERWISE SPECIFIED.
  4. ESD - SURFACE RESISTIVITY  
- 10<sup>5</sup> TO 10<sup>11</sup> OHMS/SQ.
  5. FOR PACKAGE - BG2323
  6. PART NO. : NX BG2323 2.13 0512 6  
(PLEASE INDICATE ON PURCHASE ORDER).



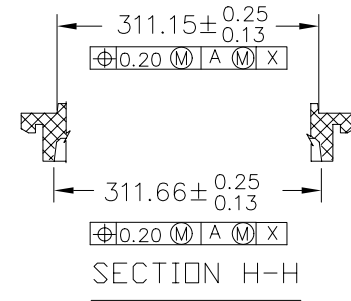
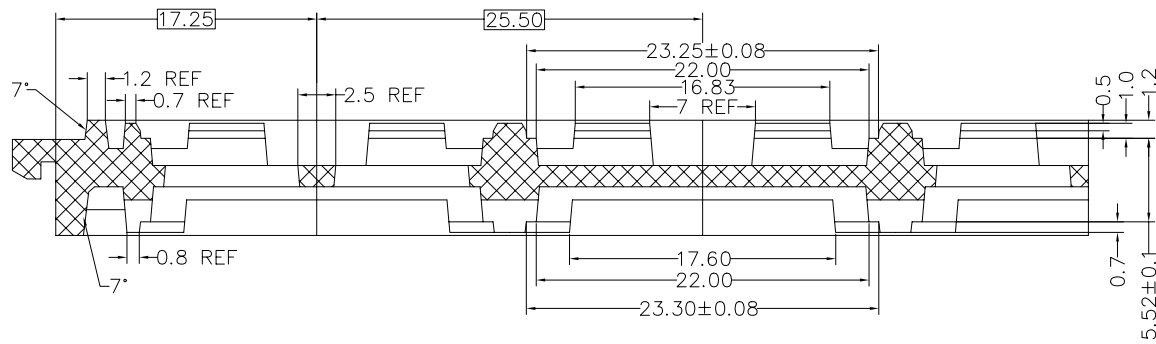
0		RELEASED FOR PRODUCTION	21 AUG 01
REV.NO.	ECN #	DESCRIPTION	DATE

THIS DOCUMENT CONTAINS INFORMATION PROPRIETARY TO PEAK PLASTIC & METAL PRODUCTS INTERNATIONAL LIMITED. REPRODUCTION, DISCLOSURE OR USE OF THIS DOCUMENT IS EXPRESSLY PROHIBITED EXCEPT IF OTHERWISE AGREED UPON IN WRITING.

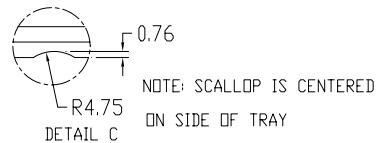
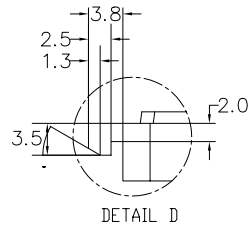
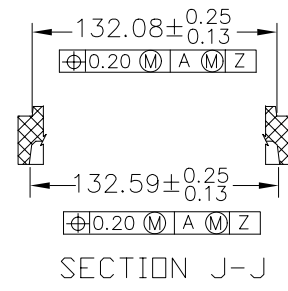
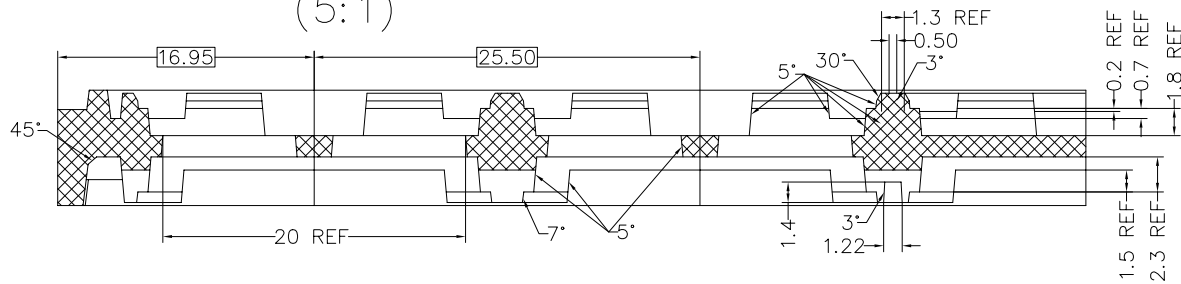
DRAWN BY :	BUSH	PAGE 1 OF 2
CHECKED BY :		DATE : 21 AUG 01
APPROVED BY :		DATE : 21 AUG 01
APPROVED BY :		DATE : 21 AUG 01
DO NOT SCALE DRAWING		CODE : CSA07735

CUSTOMER :	<b>PEAK</b>	
TITLE :	NX BG2323 2.13 0512 6	
DWG NO.:	NX BG2323 2.13 0512 6	REV. 0

SECTION A-A  
(5:1)



SECTION B-B  
(5:1)



0	RELEASED FOR PRODUCTION	21 AUG 01
REV.NO.	ECN #	DESCRIPTION DATE

THIS DOCUMENT CONTAINS INFORMATION PROPRIETARY TO PEAK PLASTIC & METAL PRODUCTS INTERNATIONAL LIMITED. REPRODUCTION, DISCLOSURE OR USE OF THIS DOCUMENT IS EXPRESSLY PROHIBITED EXCEPT IF OTHERWISE AGREED UPON IN WRITING.

DRAWN BY :	BUSH	PAGE 2 OF 2
CHECKED BY :		DATE : 21 AUG 01
APPROVED BY :		DATE : 21 AUG 01
APPROVED BY :		DATE : 21 AUG 01
DO NOT SCALE DRAWING		CODE : CSA07735

CUSTOMER :	PEAK	
TITLE :	NX BG2323 2.13 0512 6	
DWG NO.:	NX BG2323 2.13 0512 6	REV. 0