

# HA16107P/FP, HA16108P/FP

## PWM Switching Regulator for High-performance Voltage Mode Control

REJ03F0141-0400  
(Previous: ADE-204-012C)  
Rev.4.00  
Jun 15, 2005

---

### Description

The IC products in this series are primary control switching regulator control IC's appropriate for obtaining stabilized DC voltages from commercial AC power.

These IC's can directly drive power MOS FET's, they have a timer function built in to the secondary overcurrent protection, and they can perform intermittent operation or delayed latched shutdown as protection operations in unusual conditions. They can be used to implement switching power supplies with a high level of safety due to the wide range of built-in functionality.

### Functions

- 6.45 V reference voltage
- Triangle wave generator
- Error amplifier
- Under voltage lockout protector
- PWM comparator
- Pulse-by-pulse current limiting
- Timer-latch current limiting (HA16107)
- ON/OFF timer function (HA16108)
- Soft start and quick shutdown
- Output circuit for power MOS FET driving

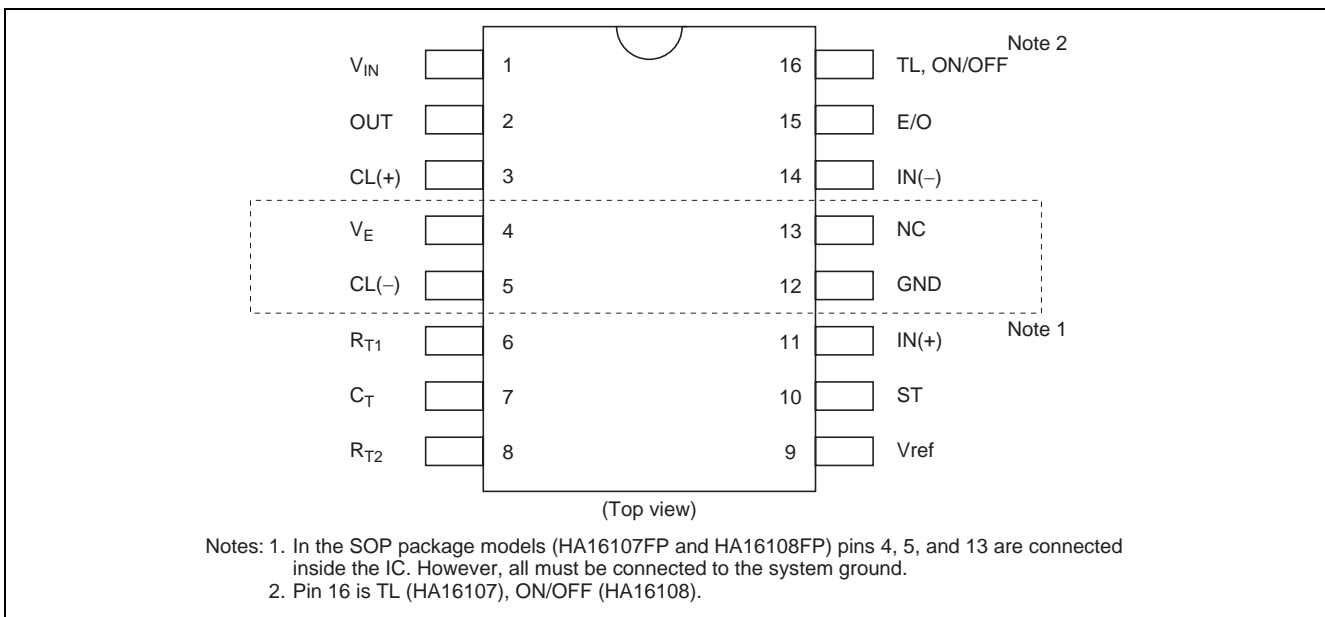
### Features

- Operating frequencies up to a high 600 kHz
- Built-in pre-driver circuit for driving power MOS FET
- Built-in timer latch over-current protection function (HA16107)
- The OCL enables intermittent operation by an ON/OFF timer for prevention of secondary overcurrent. (HA16108)
- The UVL function (under voltage lockout) is applied to both  $V_{in}$  and  $V_{ref}$ .
- ON/OFF reset: an auto-reset function which is based on the time constant of an external capacitor and observation of drops in  $V_{in}$ .
- Since the over-voltage protection function OVP (the TL pin) only observes voltage drops in  $V_{in}$ , it is possible to use the OVP and ON/OFF pin for independent purposes.
- Built-in 34 V Zener diode between  $V_{in}$  and ground.

### Ordering Information

Product	Typical Threshold Voltage		Notes	Package Code (Previous Code)
	UVL1	OVP		
HA16107P	Hi: 16.2 V	7.0 V	Timer latch protection	DP-16
HA16107FP	Lo: 9.5 V			PRSP0016DH-A (FP-16DA)
HA16108P	Hi: 16.2 V	Hi: 7.0 V	On-off timer protection	DP-16
HA16108FP	Lo: 9.5 V	Lo: 1.3 V		PRSP0016DH-A (FP-16DA)

### Pin Arrangement



## Pin Functions

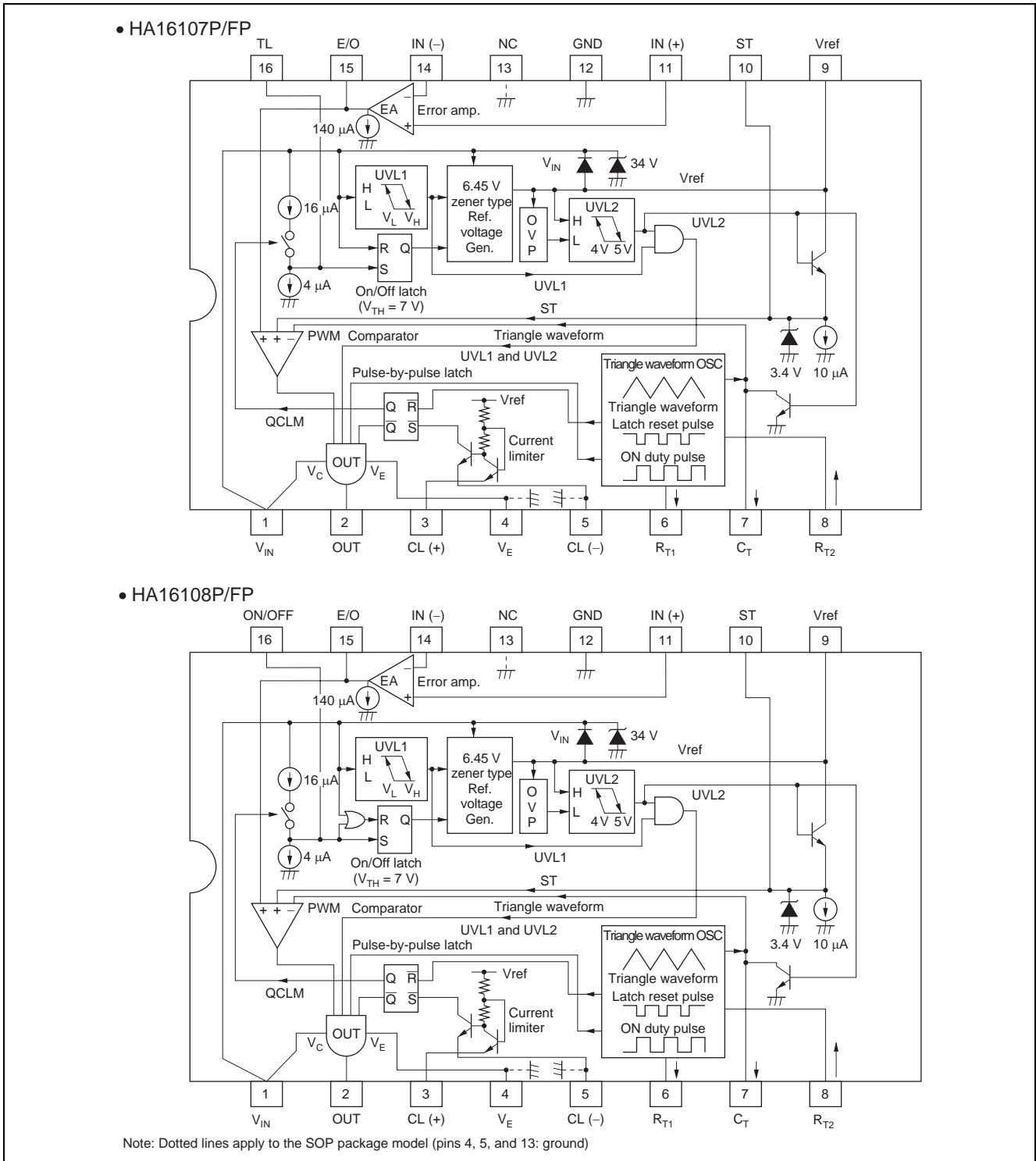
- HA16107P, HA16108P

Pin No.	Symbol	Pin Functions
1	$V_{IN}$	Input voltage
2	OUT	Pulse output
3	CL (+)	Current limiter
4	$V_E$	Output ground
5	CL (-)	Current limiter
6	$R_{T1}$	Timing resistor (rising time)
7	$C_T$	Timing capacitor
8	$R_{T2}$	Timing resistor (falling time)
9	Vref	Reference voltage output
10	ST	Soft start
11	IN (+)	Error amp (+) input
12	GND	Ground
13	NC	NC
14	IN (-)	Error amp (-) input
15	E/O	Error output
16	TL, ON/OFF	Timer latch (HA16107), ON/OFF (HA16108)

- HA16107FP, HA16108FP

Pin No.	Symbol	Pin Functions
1	$V_{IN}$	Input voltage
2	OUT	Pulse output
3	CL (+)	Current limiter
4	GND	Ground
5	GND	Ground
6	$R_{T1}$	Timing resistor (rising time)
7	$C_T$	Timing capacitor
8	$R_{T2}$	Timing resistor (falling time)
9	Vref	Reference voltage output
10	ST	Soft start
11	IN (+)	Error amp (+) input
12	GND	Ground
13	GND	Ground
14	IN (-)	Error amp (-) input
15	E/O	Error output
16	TL, ON/OFF	Timer latch (HA16107), ON/OFF (HA16108)

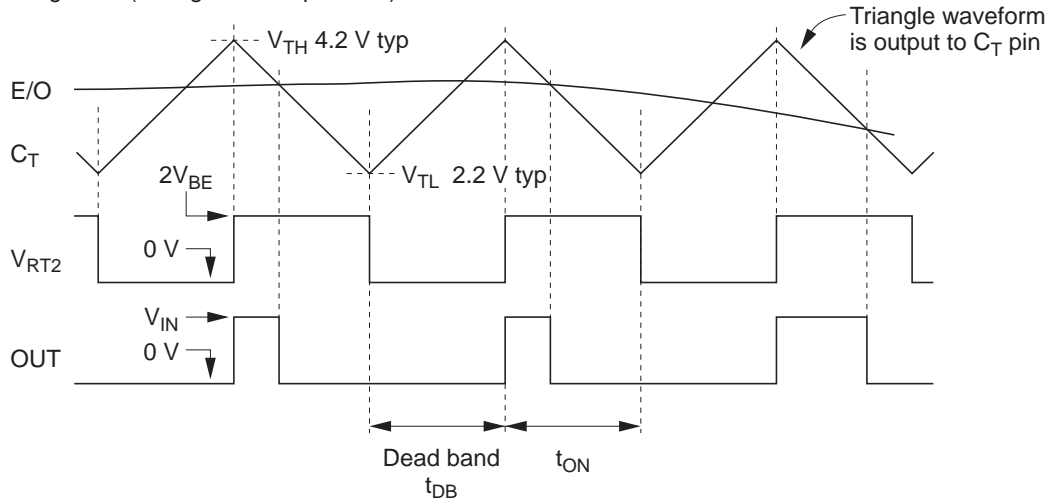
### Block Diagram



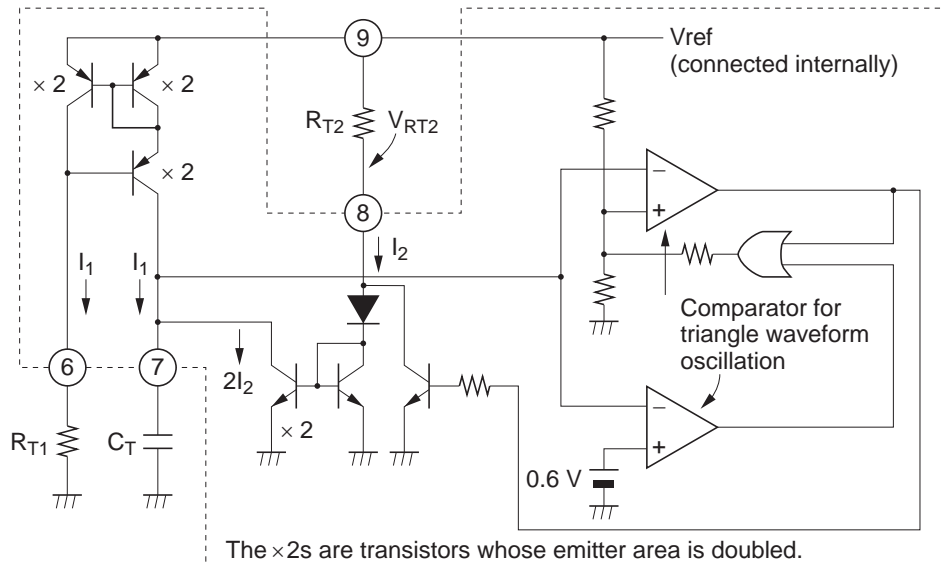
## Function and Timing Chart

### Triangle Waveform and PWM Output

- Timing chart (during normal operation)



- Oscillator equivalent circuit



$$I_1 = \frac{V_{ref} - 2V_{BE}}{R_{T1}}$$

$$I_2 = \frac{V_{ref} - 2V_{BE}}{R_{T2}}$$

$$t_{DB} = \frac{C_T \times R_{T1} \times 2V}{V_{ref} - 2V_{BE}} \approx 0.4 \times C_T \times R_{T1} \text{ (s)}$$

$$t_{ON} \approx t_{DB} \frac{R_{T2}}{2R_{T1} - R_{T2}} \text{ (s)}$$

$$D_{u \text{ max}} = \frac{R_{T2}}{2R_{T1}}$$

$$f_{OSC} \approx \frac{1 - D_{u \text{ max}}}{t_{DB}} \text{ (Hz)}$$

Note: When  $f_{OSC}$  is high, the actual value will differ from that given by the formula due to the delay time. Determine the correct constants after constructing a test circuit.

1. Timing in Normal Operation

Timing in these ICs is based on a triangular voltage waveform. The rising edge (leading edge) defines the deadband time  $t_{DB}$ . The falling edge (trailing edge) defines the ON-duty control band  $t_{ON}$ . PWM output is on in the area within  $t_{ON}$  that is bounded above by the triangle wave  $V_{CT}$  and error output  $V_{E/O}$ .

The following pin outputs are related to PWM control:

- $C_T$  (pin 7): triangle-wave voltage output
- E/O (pin 15): error output voltage
- $R_{T2}$  (pin 8): ON-duty pulse output voltage
- OUT (pin 2): PWM pulse output (for driving the gate of a power MOS FET)

2. Triangle Oscillator, Waveform and Frequency

The triangle oscillator in these ICs generates a triangular waveform by charging and discharging timing capacitor  $C_T$  with a constant current, as shown in the equivalent circuit. The  $C_T$  charge current is:

$$I(C_{T\text{chg}}) = I_1 = \frac{V_{REF} - 2V_{BE}}{R_{T1}}$$

The discharge current is:

$$I(C_{T\text{dischg}}) = 2I_2 - I_1, \text{ where } I_2 = \frac{V_{REF} - 2V_{BE}}{R_{T2}}$$

In these equations  $V_{ref}$  (reference voltage) is typically 6.45 V, and  $V_{BE}$  (base-emitter voltage of internal transistors) is about 0.7 V.

The deadband time is:

$$t_{DB} = \frac{C_T \times R_{T1} \times 2V}{V_{REF} - 2V_{BE}} + 0.25 \mu\text{s}$$

$$\approx 0.4 \times C_T \times R_{T1} + 0.25 \mu\text{s}$$

The ON-duty time is:

$$t_{ON} = t_{DB} \times \frac{R_{T2}}{2R_{T1} - R_{T2}}$$

The 0.25  $\mu\text{s}$  in these equations is a correction term for internal circuit delays.

The maximum ON-duty is

$$Du \text{ max} = \frac{R_{T2}}{2R_{T1}}$$

The oscillating frequency is:

$$f_{OSC} = \frac{1}{\frac{0.4 C_T R_{T1} + 0.25 \mu}{1 - \frac{R_{T2}}{2R_{T1}}} + 0.25 \mu}$$

$$= \frac{1}{\frac{0.8 C_T R_{T1}^2 + 0.25 \mu \times 2R_{T1}}{2R_{T1} - R_{T2}} + 0.25 \mu} \text{ (Hz)}$$

When  $R_{T1} = R_{T2}$ , the maximum ON-duty is 50%, and:

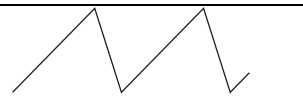
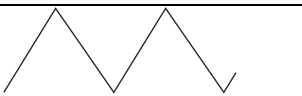
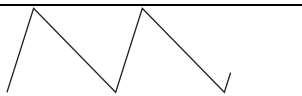
$$f_{OSC} \approx \frac{1}{0.8 C_T R_{T1} + 0.25 \mu \times 2 + 0.25 \mu}$$

$$= \frac{1}{0.8 C_T R_{T1} + 0.75 \mu} \text{ (Hz)}$$

This approximation is fairly close, but it should be checked in-circuit.

3. Programming of Maximum ON-Duty (Du Max)

The preceding equations should be used to program the deadband or maximum ON-duty. The following table gives a summary.

Condition	$R_{T1} > R_{T2}$	$R_{T1} = R_{T2}$	$R_{T1} < R_{T2}$
Triangle waveform			
Du max	Less than 50%	50%	Greater than 50%*

Note: In a primary-control switching regulator, Du Max > 50% is dangerous because the transformer will saturate.

**Soft Start and Quick Shutdown**

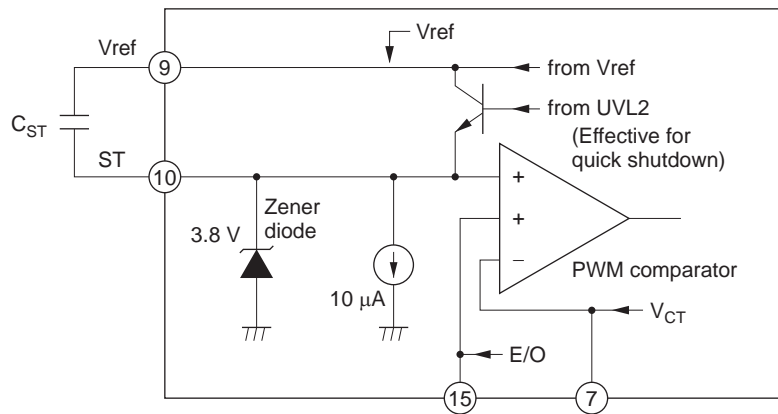
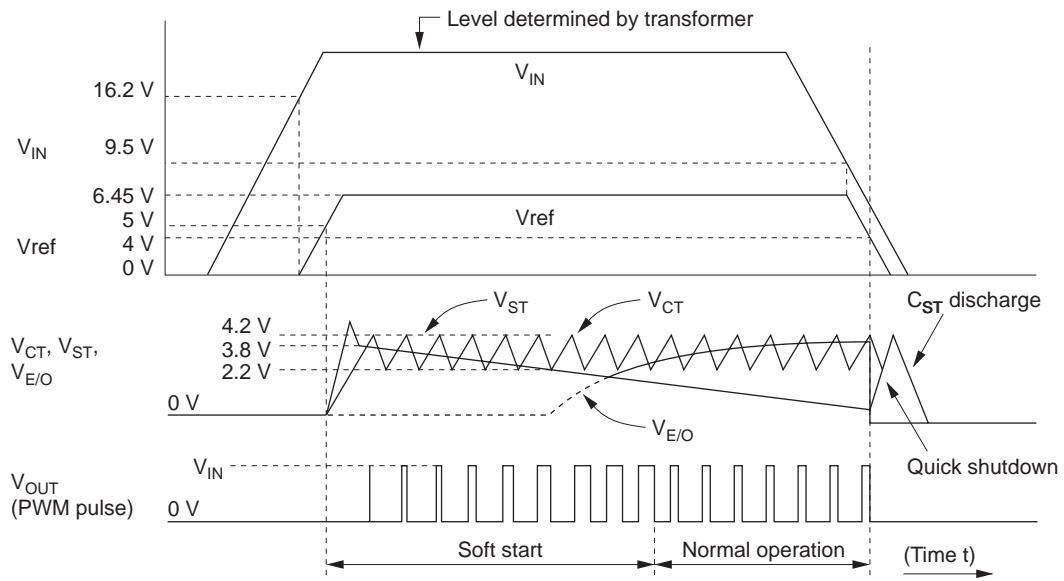
One purpose of the soft-start function is to protect the switching controller and power MOS FET from surges at power-up. Another purpose is to let the secondary-side DC voltage rise smoothly.

When power goes off, the quick-shutdown function rapidly discharges the capacitor in the soft-start circuit (and at the same time switches the PWM output off) to prepare for the next power-on.

The soft-start function in these ICs lets the PWM output develop smoothly from zero to the designated pulse width at power-up. The soft-start voltage is the 3.8 V voltage value of an internal Zener diode, so the PWM output is able to start widening gradually as soon as the soft-start function starts operating. The soft-start function will start promptly even if  $C_{ST}$  is large.

The soft-start and quick-shutdown modes are selected automatically in the IC, under control of the UVL signal.

• Timing waveforms



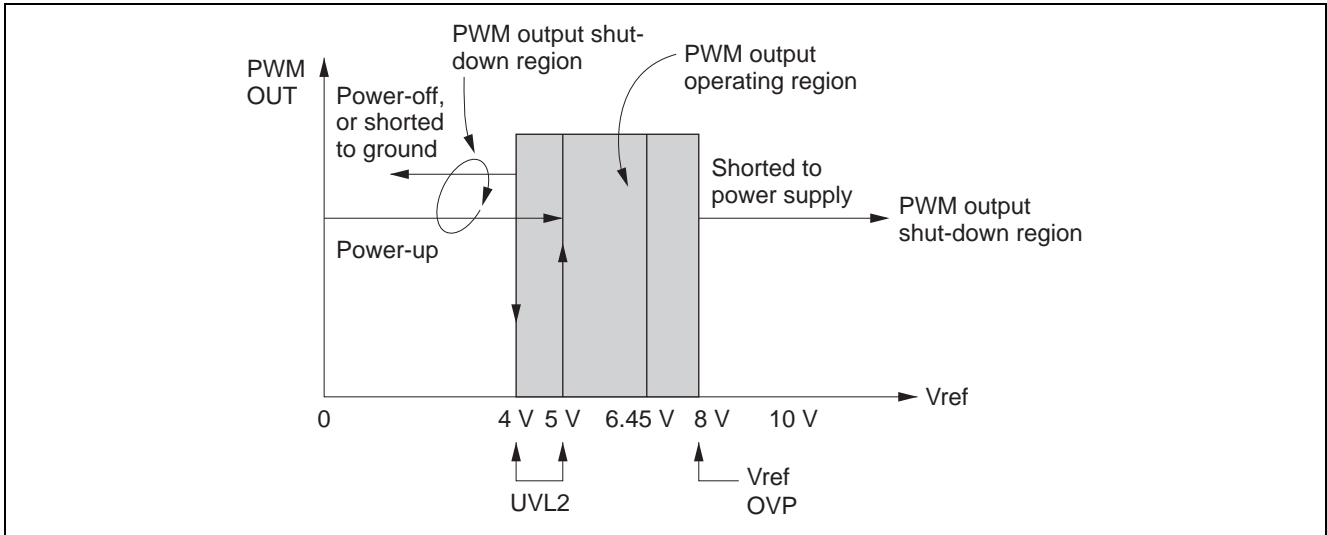
Note: The soft-start time constant is determined by  $C_{ST}$  and the constant-current value (typically 10  $\mu A$ ).



## Vref Protection Functions: Overvoltage and Undervoltage

Vref overvoltage and undervoltage conditions are detected by the overvoltage detection circuit and UVL2 circuit. PWM output shuts down when  $V_{ref} \geq 8\text{ V}$ . UVL2 detects undervoltage with hysteresis between approximately 4 V and 5 V. PWM output also shuts down below these voltages. It follows that PWM output will shut off whenever the Vref pin is shorted to the power supply ( $V_{IN}$ ) or ground (GND). PWM output also shuts off when  $V_{IN}$  is turned on or off.

The following diagram shows how these protection functions operate when power comes on and goes off ( $V_{ref} < 6.45\text{ V}$ ), and when a high external voltage is applied to the Vref pin ( $V_{ref} > 6.45\text{ V}$ ).



### 1. Current-Limiter Circuit

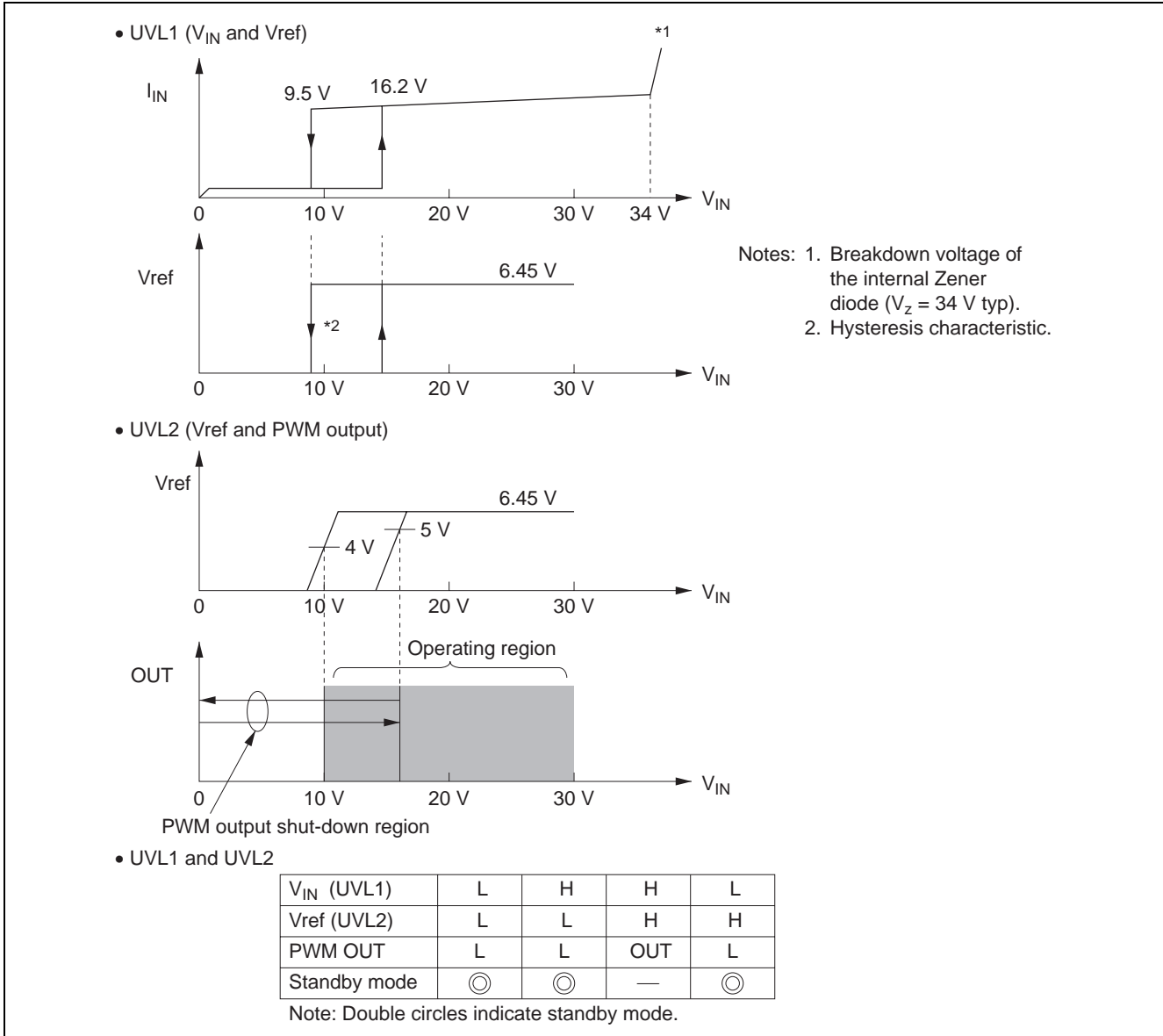
The current limiter pin (CL) is connected to the emitter of an npn transistor, as shown in the block diagram. The threshold voltage is 240 mV typ. The switching speed of this circuit is approximately 100 ns from detection of overcurrent to shut-down of PWM output. Switching speed increases with the strength of the signal input to the CL pin.

Instead of simple pulse-by-pulse current limiting, in these ICs the current limiting circuit is linked to the timer-and-latch or ON/OFF timer circuit, and also detects the degree of overcurrent. The overcurrent value is determined from the point at which current limiting is triggered in the ON-duty cycle. With a large overcurrent (causing current limiting to operate even at a small ON-duty), the IC automatically shortens the timer time.

### Undervoltage Lockout and PWM Output

The undervoltage lockout function turns off the PWM pulse output when the controller's supply voltage goes below a designated value. These ICs have two undervoltage lockout circuits. The UVL1 circuit senses the supply voltage  $V_{IN}$ . The UVL2 circuit senses the  $V_{ref}$  voltage. A feature of these ICs is that PWM output is turned on only when both voltages are above designated values. Otherwise, the IC operates in standby mode.

The two built-in undervoltage lockout circuits make it possible to configure an extremely safe power supply system. PWM output will shut down under a variety of abnormal conditions, such as if  $V_{ref}$  is shorted to ground while  $V_{IN}$  is applied.



**Timer Latch and ON/OFF Timer**

The HA16107 has a built-in timer-latch function. The HA16108 has a built-in ON/OFF timer function.

The timer-latch function is an overvoltage protection function that combines latched shutdown of PWM output with a timer function to vary the time until latched shutdown occurs according to the overcurrent value. A dedicated voltage detection pin is provided in addition to Vref overvoltage protection.

The ON/OFF timer function is equivalent to the above timer-latch function without the latch. If overcurrent is detected continuously, PWM output shuts down temporarily, then normal operation resumes. This process repeats, temporary shutdown alternating with normal operation.

Both the timer-latch function in the HA16107 and the ON/OFF function in the HA16108 wait for an interval after overcurrent detection before shutting down PWM output. The interval is determined by capacitor C<sub>TM</sub> and the value of the charge/discharge current supplied internally from the IC. Normal operation therefore continues if a single overcurrent spike is detected, while if continuous overcurrent is detected, the current and voltage droop curves for the secondary-side output have sharp characteristics.

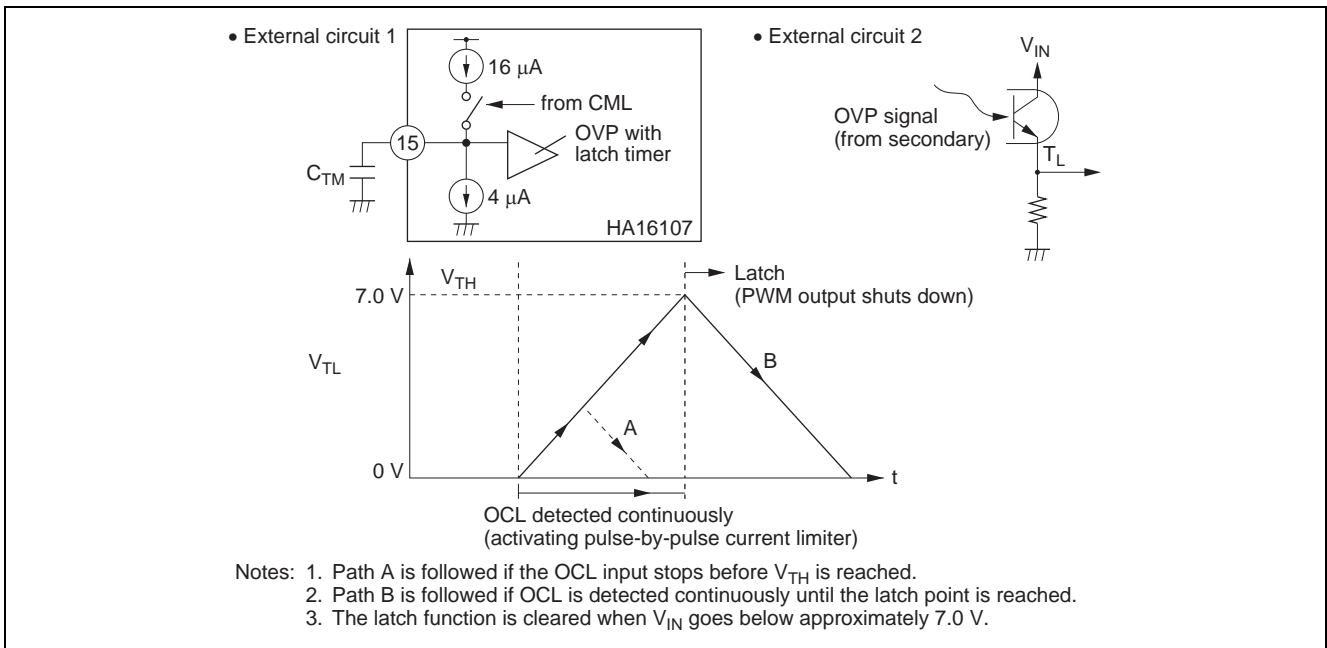
1. Use of Timer-Latch Pin (HA16107)

— Timer-Latch Usage

See external circuit 1 in the following diagram. Under continuous overcurrent, the CML switch turns on, charging C<sub>TM</sub> with 12 μA. PWM output shuts down when the voltage at pin 15 exceeds 7 V.

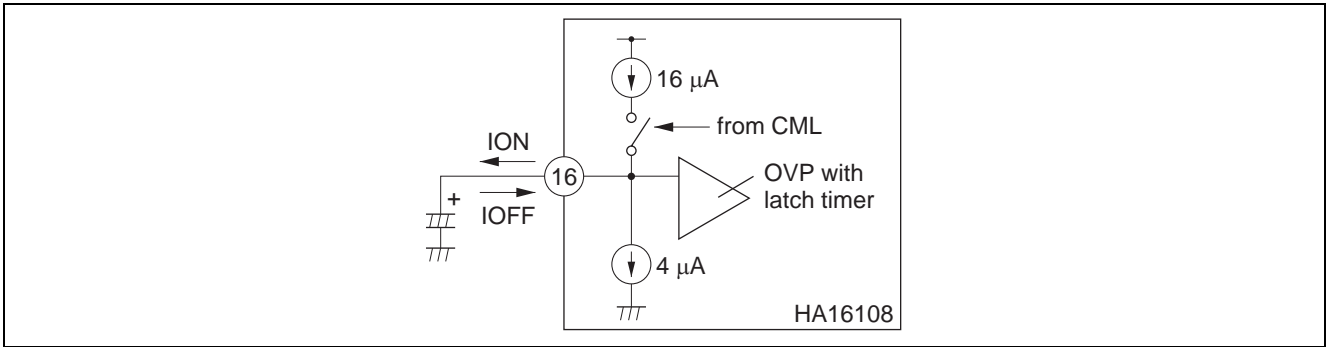
— Overvoltage Protection Usage

See external circuit 2 in the diagram. This configuration is suitable when overvoltage is detected by an OVP signal received through an optocoupler from the DC output on the secondary side of an AC/DC converter. PWM output shuts down when the OVP signal allows the voltage at the TL pin to exceed 7 V. The shutdown is latched. V<sub>IN</sub> must go below approximately 6.5 V (V<sub>INR2</sub>) to release the latched state.

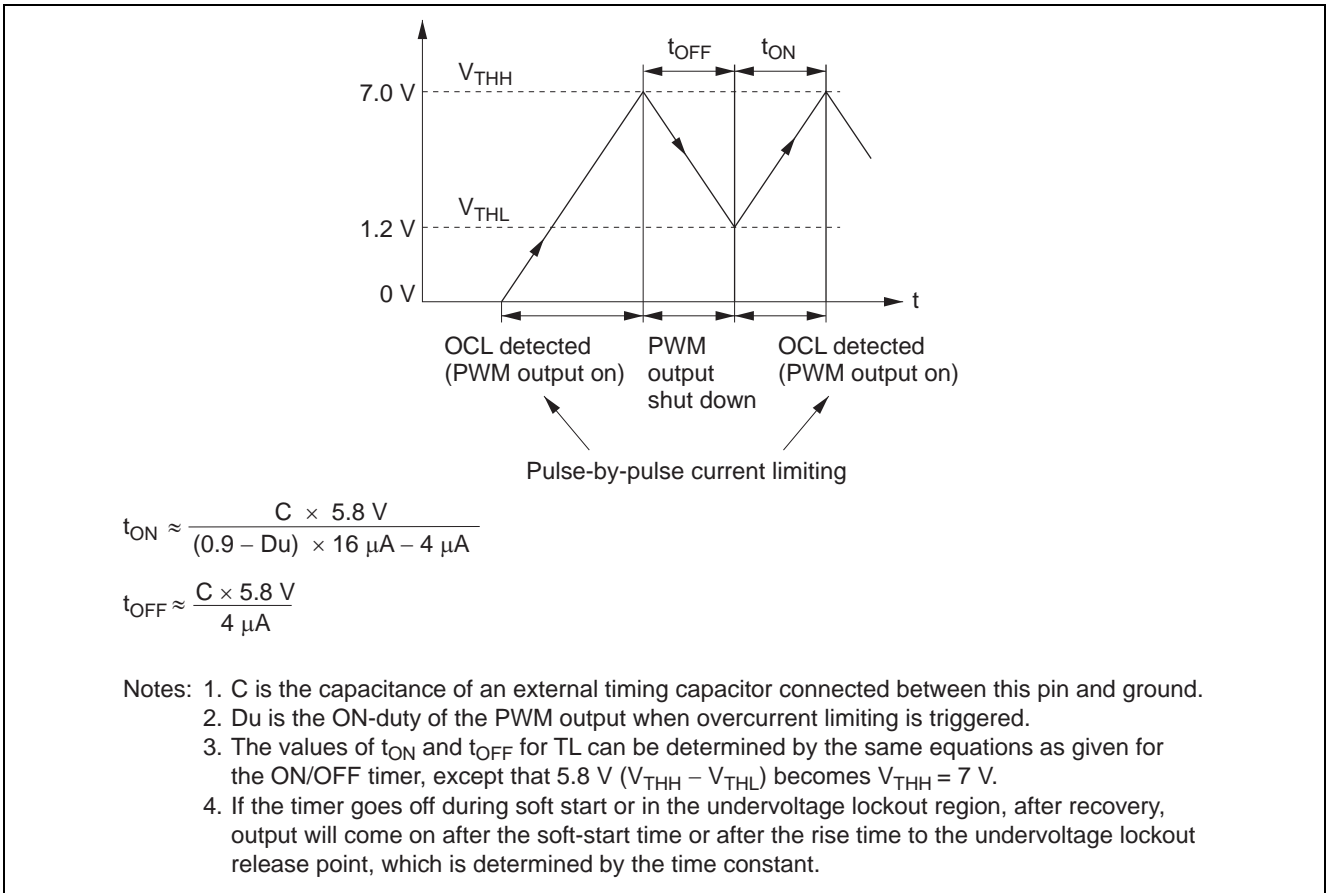


2. Use of ON/OFF Timer Pin (HA16108)

— External Circuit



— ON/OFF Timer Operation

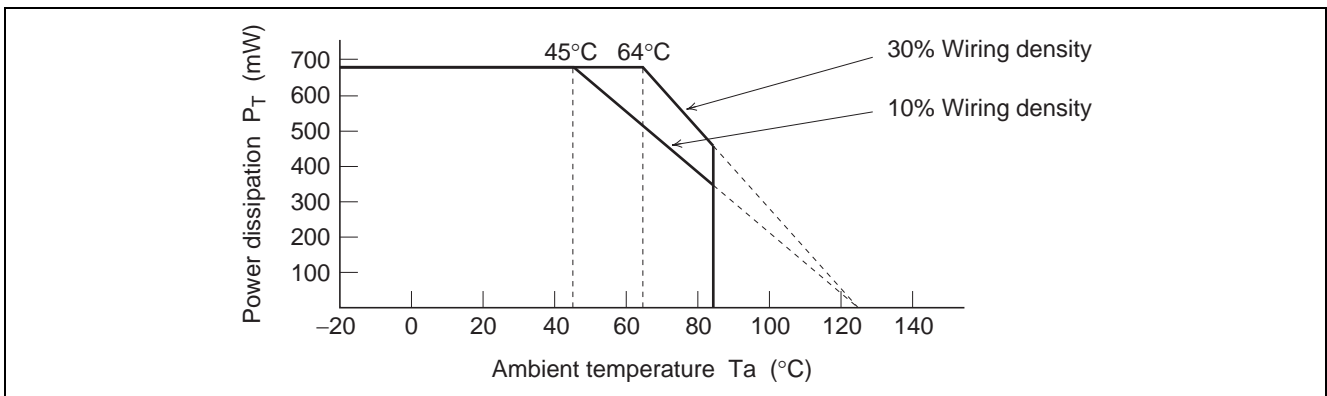


### Absolute Maximum Ratings

(Ta = 25°C)

Item	Symbol	Rating Value	Units	Notes
Supply voltage	V <sub>IN</sub>	30	V	
Output current (DC)	I <sub>O</sub>	±0.2	A	
Output current (peak)	I <sub>opeak</sub>	±2	A	
Current limiter voltage	V <sub>CL</sub>	+4, -1	V	
Error amp input voltage	V <sub>IEA</sub>	V <sub>ref</sub>	V	
E/O output voltage	V <sub>IE/O</sub>	V <sub>ref</sub>	V	
R <sub>T1</sub> pin current	I <sub>RT1</sub>	500	μA	
R <sub>T2</sub> pin current	I <sub>RT2</sub>	5	mA	
Power dissipation	P <sub>T</sub>	680	mW	1, 2
Operating temperature range	T <sub>opr</sub>	-20 to +85	°C	
Storage temperature range	T <sub>stg</sub>	-55 to +125	°C	

- Notes:
- For the “FP” products (SOP package), this value is when mounted on a 40 by 40 by 1.6 mm glass epoxy substrate. However, this value must be derated by 8.3 mW/°C from Ta = 45°C. When the wiring density is 10%, and 11.1 mW/°C from Ta = 64°C when the wiring density is 30%.
  - For the “P” products (DIP package), this value is valid up to 45°C, and must be derated by 8.3 mW/°C above 45°C.
  - In the case of SOP, use center 4 pins, (4), (5), (12), (13) for solder-mounting and connect the wide ground pattern, because these pins are available for heat sink of this IC.



## Electrical Characteristics

(Ta = 25°C, V<sub>IN</sub> = 18 V, f<sub>OSC</sub> = 100 kHz)

Section	Item	Symbol	Min	Typ	Max	Unit	Test Conditions	Note
Reference voltage	Output voltage	V <sub>ref</sub>	6.10	6.45	6.80	V		
	Line regulation	Line	–	30	60	mV	12 V ≤ V <sub>IN</sub> ≤ 30 V	
	Load regulation	Load	–	30	60	mV	0 mA ≤ I <sub>O</sub> ≤ 10 mA	
	Temperature stability	ΔV <sub>ref</sub> /ΔTa	–	40	–	ppm/°C		
	Short circuit current	I <sub>OS</sub>	30	50	–	mA	V <sub>ref</sub> = 0 V	
	Over voltage protection (V <sub>ref</sub> OVP voltage)	V <sub>rov</sub>	7.4	8.0	9.0	V		
Triangle wave generator	Maximum frequency	f <sub>max</sub>	600	–	–	kHz		
	Minimum frequency	f <sub>min</sub>	–	–	1	kHz		
	Voltage stability	Δf/f <sub>o1</sub>	–	±1	±3	%	12 V ≤ V <sub>IN</sub> ≤ 30 V f <sub>o1</sub> = (f <sub>max</sub> + f <sub>min</sub> )/2	
	Temperature stability	Δf/f <sub>o2</sub>	–	±1	–	%	–20°C ≤ Ta ≤ +85°C f <sub>o2</sub> = (f <sub>max</sub> + f <sub>min</sub> )/2	
	Frequency accuracy	f <sub>osc</sub>	270	300	330	kHz	R <sub>T1</sub> = R <sub>T2</sub> = 27 kΩ C <sub>T</sub> = 120 pF	
PWM comparator	Minimum deadband pulse width	t <sub>DB</sub>	–	–	1.0	μs		
	Low level threshold voltage	V <sub>TL</sub>	1.9	2.2	2.5	V		
	High level threshold	V <sub>TH</sub>	3.8	4.2	4.6	V		
	Differential threshold	ΔV <sub>TH</sub>	1.7	2.0	2.3	V		
	Deadband width initial accuracy	ΔDB1	–	±1	±3	%	R <sub>T1</sub> = R <sub>T2</sub> = 27 kΩ C <sub>T</sub> = 470 pF	
	Deadband width voltage stability	ΔDB2	–	±0.2	±2.0	%	12 V ≤ V <sub>IN</sub> ≤ 30 V (D <sub>max</sub> – D <sub>min</sub> )/2	
	Deadband width temperature stability	ΔDB3	–	±1	–	%	–20°C ≤ Ta ≤ +85°C (D <sub>max</sub> – D <sub>min</sub> )/2	
Error amp	Input offset voltage	V <sub>IO</sub>	–	2	10	mV		
	Input bias current	I <sub>IB</sub>	–	0.8	2.0	μA		
	Input sink current	I <sub>OSINK</sub>	80	140	–	μA	V <sub>O</sub> = 2 V	
	Output source current	I <sub>OSOURCE</sub>	80	140	–	μA	V <sub>O</sub> = 5 V	
	High level output voltage	V <sub>OH</sub>	V <sub>ref</sub> – 1.5	–	–	V	I <sub>O</sub> = 10 μA	
	Low level output voltage	V <sub>OL</sub>	–	–	0.5	V	I <sub>O</sub> = 10 μA	
	Voltage gain	G <sub>V</sub>	–	55	–	dB	f = 10 kHz	
	Band width	BW	–	15	–	MHz		
	(–) Common mode voltage	V <sub>CM–</sub>	1.2	–	–	V		
	(+) Common mode voltage	V <sub>CM+</sub>	–	–	V <sub>ref</sub> – 1.5	V		
	Over-current detector	(+) Threshold voltage	V <sub>TH+</sub>	0.216	0.240	0.264	V	
(+) Bias current		I <sub>B+</sub>	–	180	250	μA	V <sub>CL+</sub> = 0 V	
(–) Threshold voltage		V <sub>TH–</sub>	–0.264	–0.240	–0.216	V		1, 2
(–) Bias current		I <sub>B–</sub>	–	950	1350	μA	V <sub>CL–</sub> = –0.3 V	1, 2
Response time		t <sub>off</sub>	–	100	–	ns	CL; open V <sub>CL</sub> = +0.35 V	

- Notes: 1. Only applies to the HA16107P, HA16108P  
2. The terminal should not be applied under –1.0 V.

## Electrical Characteristics (cont.)

(Ta = 25°C, V<sub>IN</sub> = 18 V, f<sub>OSC</sub> = 100 kHz)

Section	Item	Symbol	Min	Typ	Max	Unit	Test Conditions	Note
Soft start	High level voltage	V <sub>STH</sub>	3.2	3.8	4.4	V	I <sub>sink</sub> = 1 mA	
	Sink current	I <sub>sink</sub>	7	10	13	μA	V <sub>ST</sub> = 2.0 V	
Under voltage lockout 1	V <sub>IN</sub> high level threshold voltage	V <sub>INTH</sub>	14.7	16.2	17.7	V		
	V <sub>IN</sub> low level threshold voltage	V <sub>INTL</sub>	8.5	9.5	10.5	V		
	Threshold differential voltage	ΔV <sub>TH</sub>	5.2	6.2	7.2	V	(V <sub>INTH</sub> - V <sub>INTL</sub> )	
Under voltage lockout 2	V <sub>ref</sub> high level threshold voltage	V <sub>rTH</sub>	4.5	5.0	5.5	V		
	V <sub>ref</sub> low level threshold voltage	V <sub>rTL</sub>	3.5	4.0	4.5	V		
Timer latch, ON/OFF timer *2	Latch threshold voltage	V <sub>THH</sub>	6.5	7.0	7.5	V	Latch threshold voltage	
	V <sub>IN</sub> reset voltage	V <sub>INR2</sub>	6.0	6.5	7.0	V		
	Reset voltage	V <sub>THL2</sub>	1.0	1.3	1.6	V		1
	Differential threshold to UVL low voltage	ΔV	2.0	3.0	—	V	(V <sub>INTL</sub> - V <sub>INR2</sub> )	
	Source current (OCL mode)	I <sub>source</sub>	8	12	16	μA	Over current detection mode	
	Sink current (latch mode)	I <sub>sink</sub>	2.5	4	5.5	μA	TL(ON/OFF) terminal = 4 V	
Output	Low voltage	V <sub>OL1</sub>	—	1.7	2.2	V	I <sub>osink</sub> = 0.2 A	
	High voltage	V <sub>OH</sub>	V <sub>IN</sub> - 2.2	—	—	V	I <sub>osource</sub> = 0.2 A	
	Low voltage (standby mode)	V <sub>OL2</sub>	—	—	0.5	V	I <sub>osink</sub> = 1 mA	
	Rising time	t <sub>r</sub>	—	40	—	ns	C <sub>L</sub> = 1000 pF	
	Falling time	t <sub>f</sub>	—	60	—	ns	C <sub>L</sub> = 1000 pF	
Total	Standby current	I <sub>st</sub>	—	160	250	μA	V <sub>IN</sub> = 14 V	
	Operation current	I <sub>IN1</sub>	—	16	20	mA	V <sub>IN</sub> = 30 V, C <sub>L</sub> = 1000 pF, f = 100 kHz	
	Operation current	I <sub>IN2</sub>	—	12	16	mA	V <sub>IN</sub> = 30 V, f = 100 kHz, Output open	
	ON/OFF latch current	I <sub>IN3</sub>	—	350	460	μA	V <sub>IN</sub> = 14 V	
	V <sub>IN</sub> - GND Zener voltage	V <sub>Z</sub>	30	34	—	V		

Notes: 1. Only applies to the HA16108P/FP.

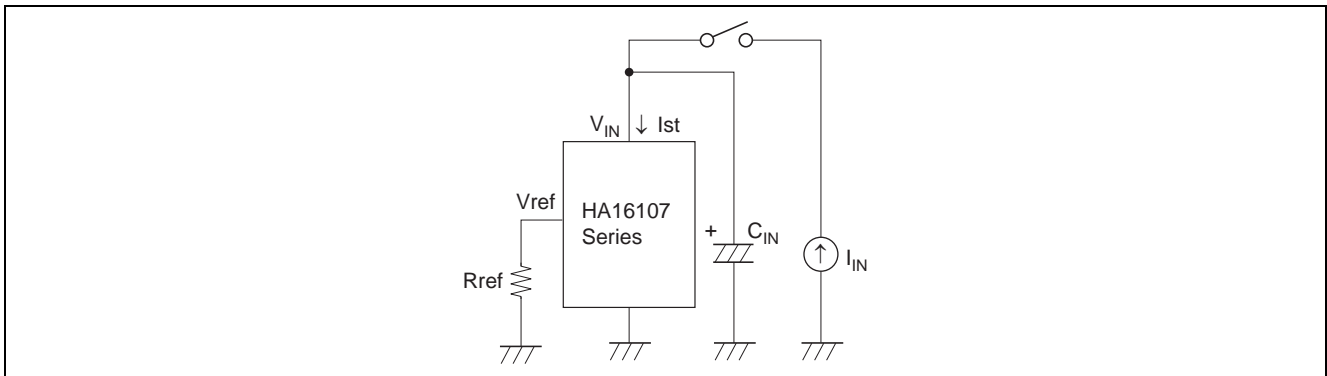
2. Timer latch: HA16107P/FP.

ON/OFF timer: HA16108P/FP.

### Note on Standby Current

In the test circuit shown in figure 1, the operating current at the start of PWM pulse output is the standby current.

If the resistance connected externally to the Vref pin (including  $R_{T2}$ ) is smaller than that of the test circuit, the apparent standby current will increase.



**Figure 1 Standby Current Test Circuit**



## Application Note

- Case:  
When DC power is applied directly as the power supply of the HA16107/HA16108, without using the transformer backup coil.
- Phenomenon:  
The IC may not be activated in the case of a circuit in which  $V_{IN}$  rises quickly (10 V/100  $\mu$ s or faster), such as that shown in figure 2.
- Reason:  
Because of the IC circuit configuration, the timer latch block operates first.
- Remedy (counter measure):  
Take remedial action such as configuring a time constant circuit as shown in figure 3, to keep the  $V_{IN}$  rise speed below 10 V/100  $\mu$ s.

If the IC power supply consists of an activation resistance and backup coil, as in an AC/DC converter, The  $V_{IN}$  rise speed is usually around 1 V/100  $\mu$ s, and there is no risk of this phenomenon occurring.

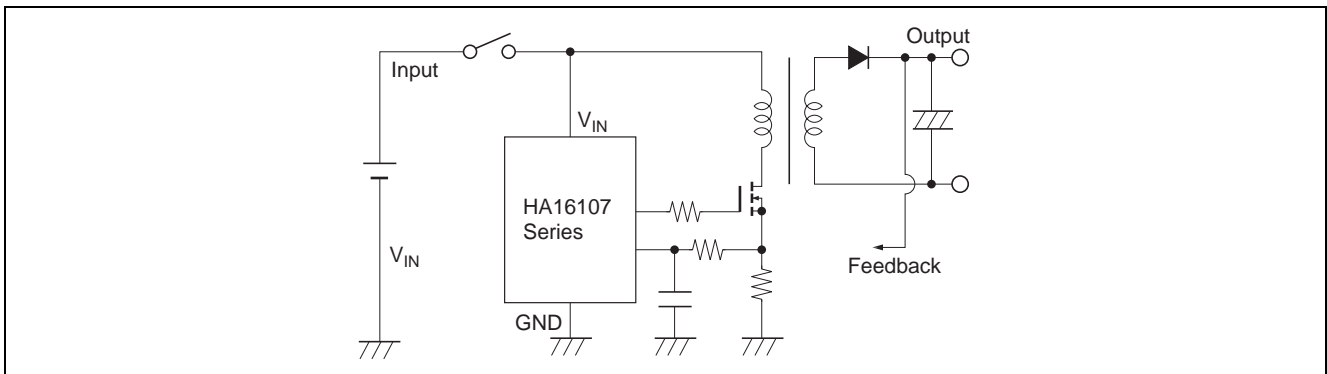


Figure 2 Example of Circuit with Fast  $V_{IN}$  Rise Time

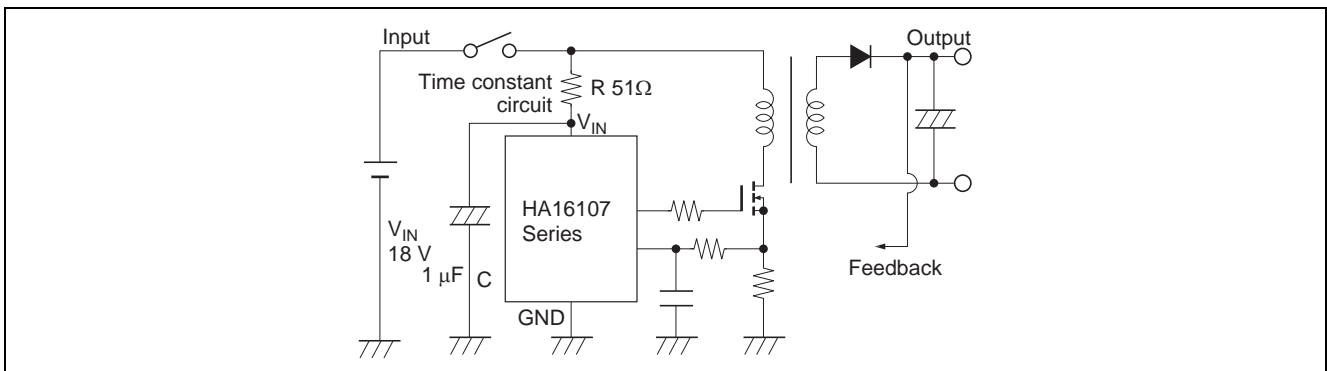
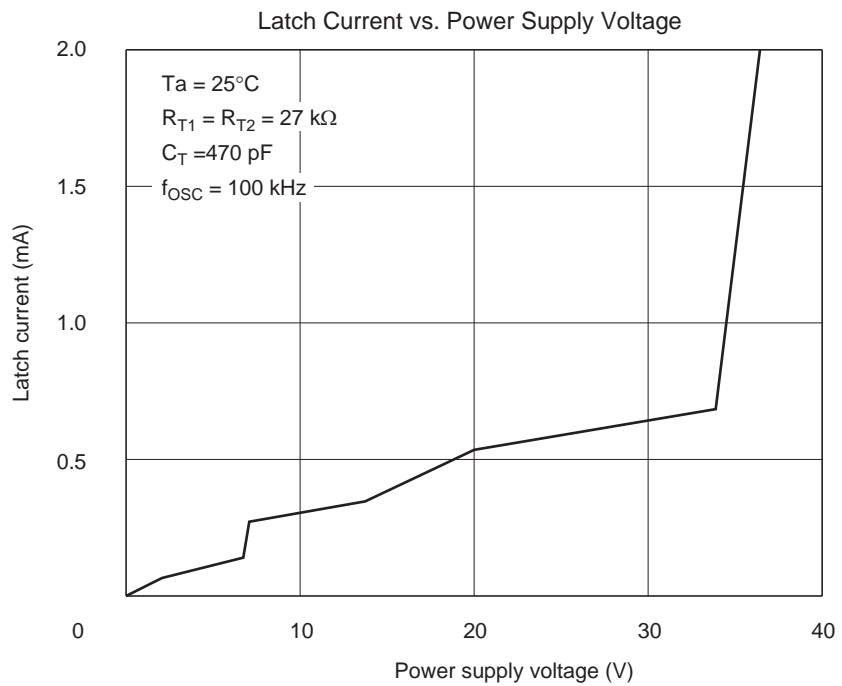
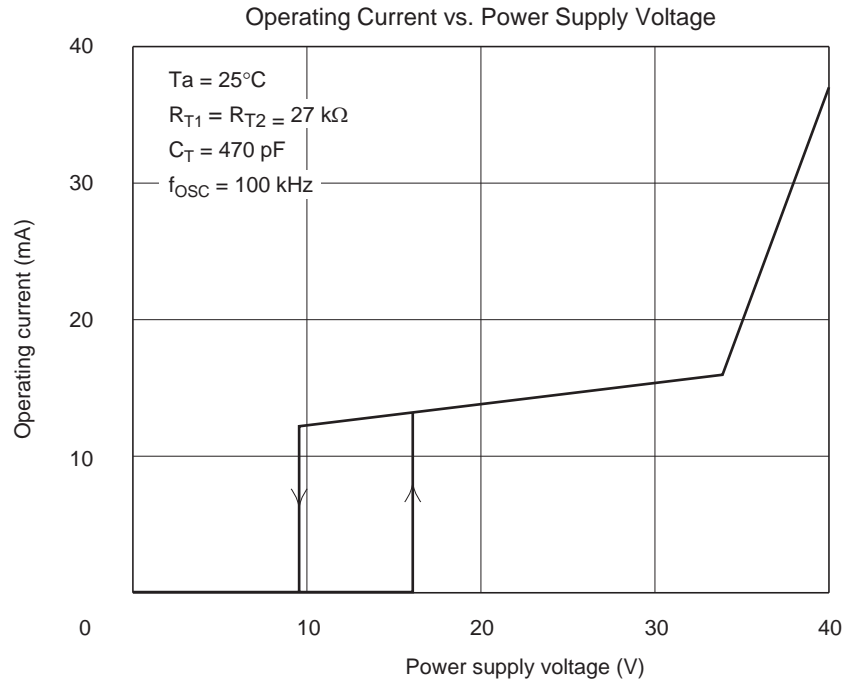
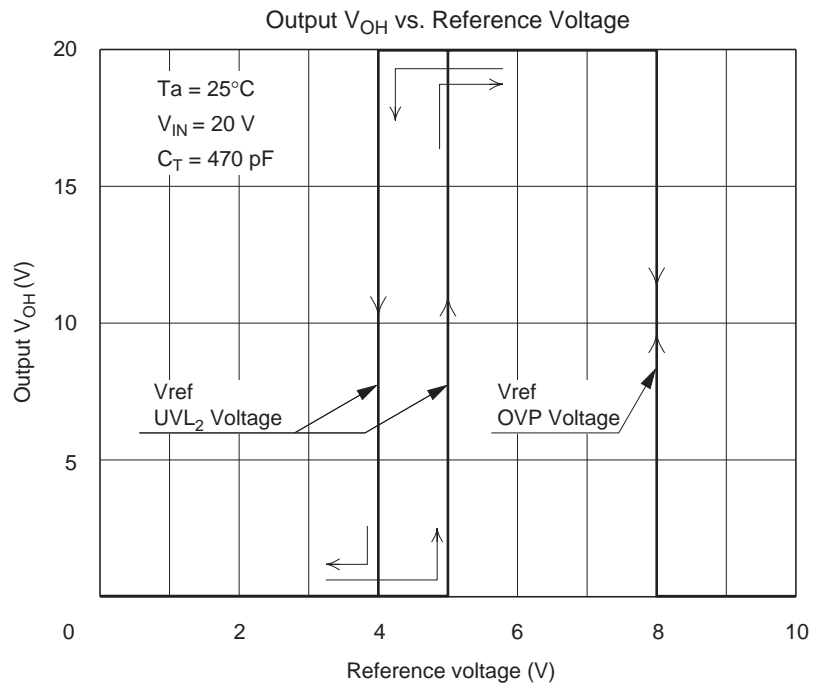
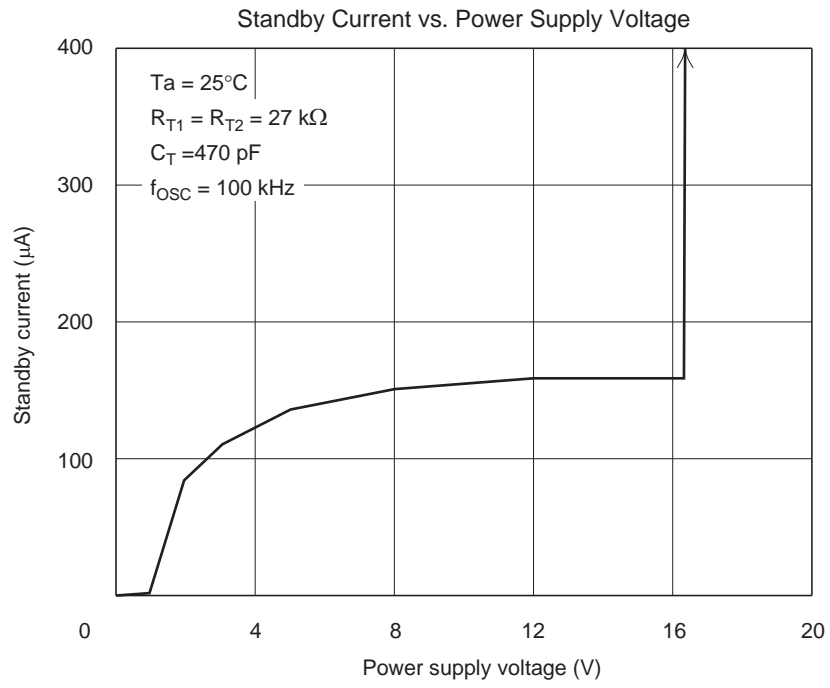
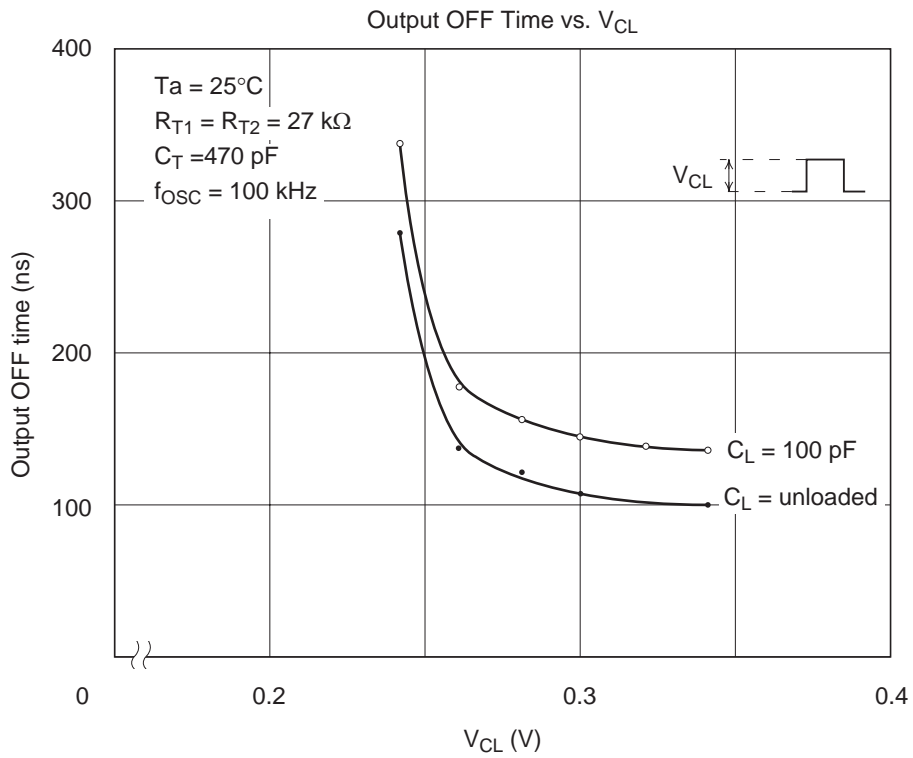
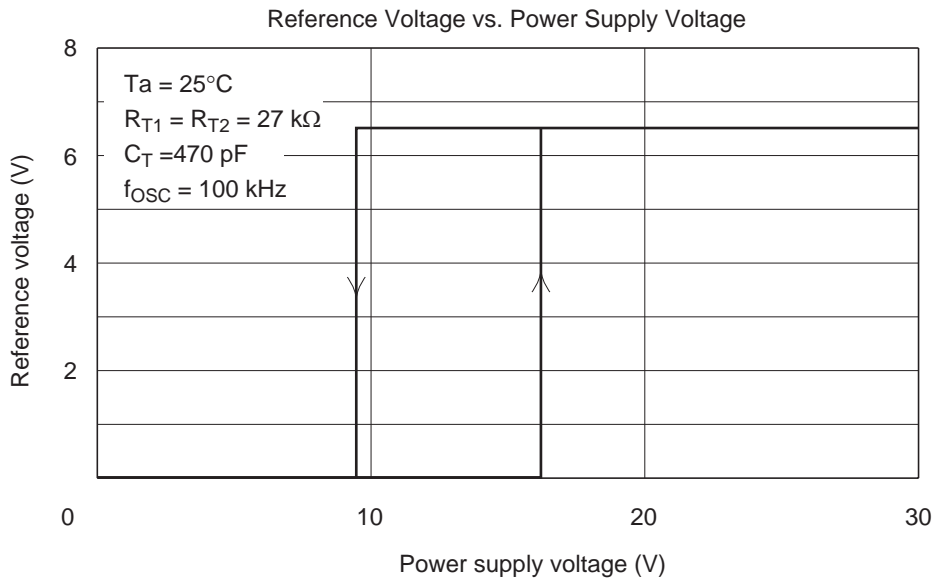


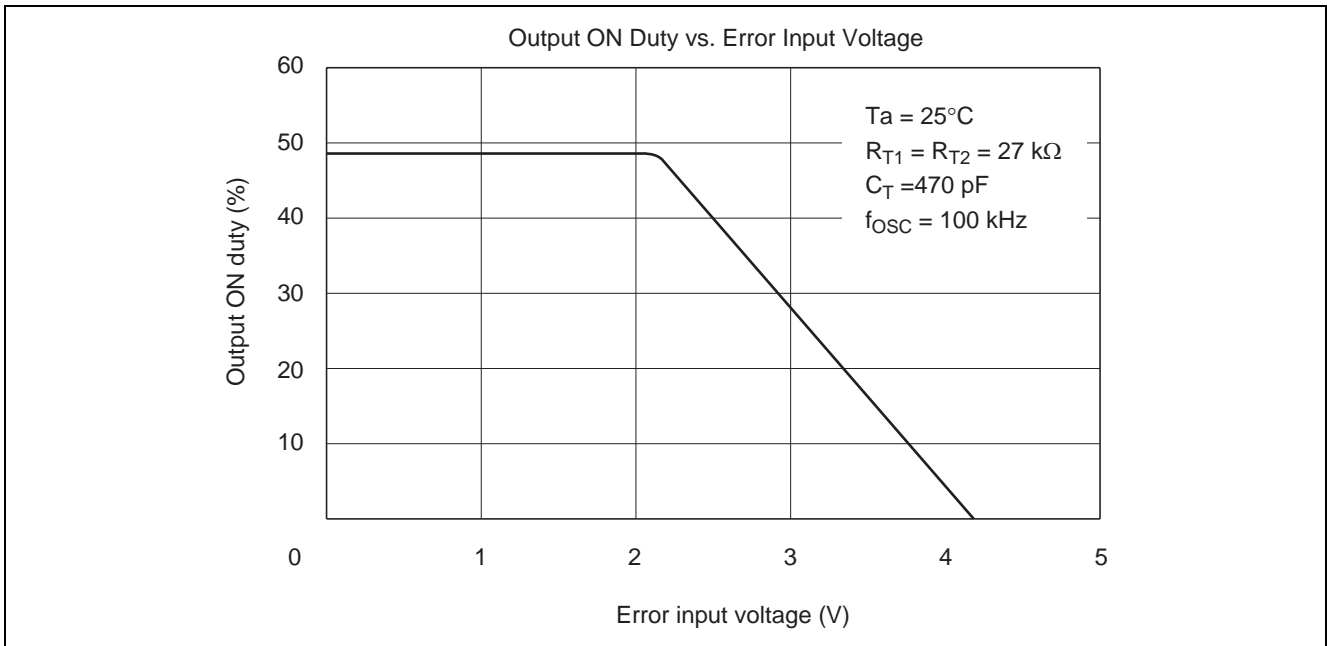
Figure 3 Sample Remedial Circuit

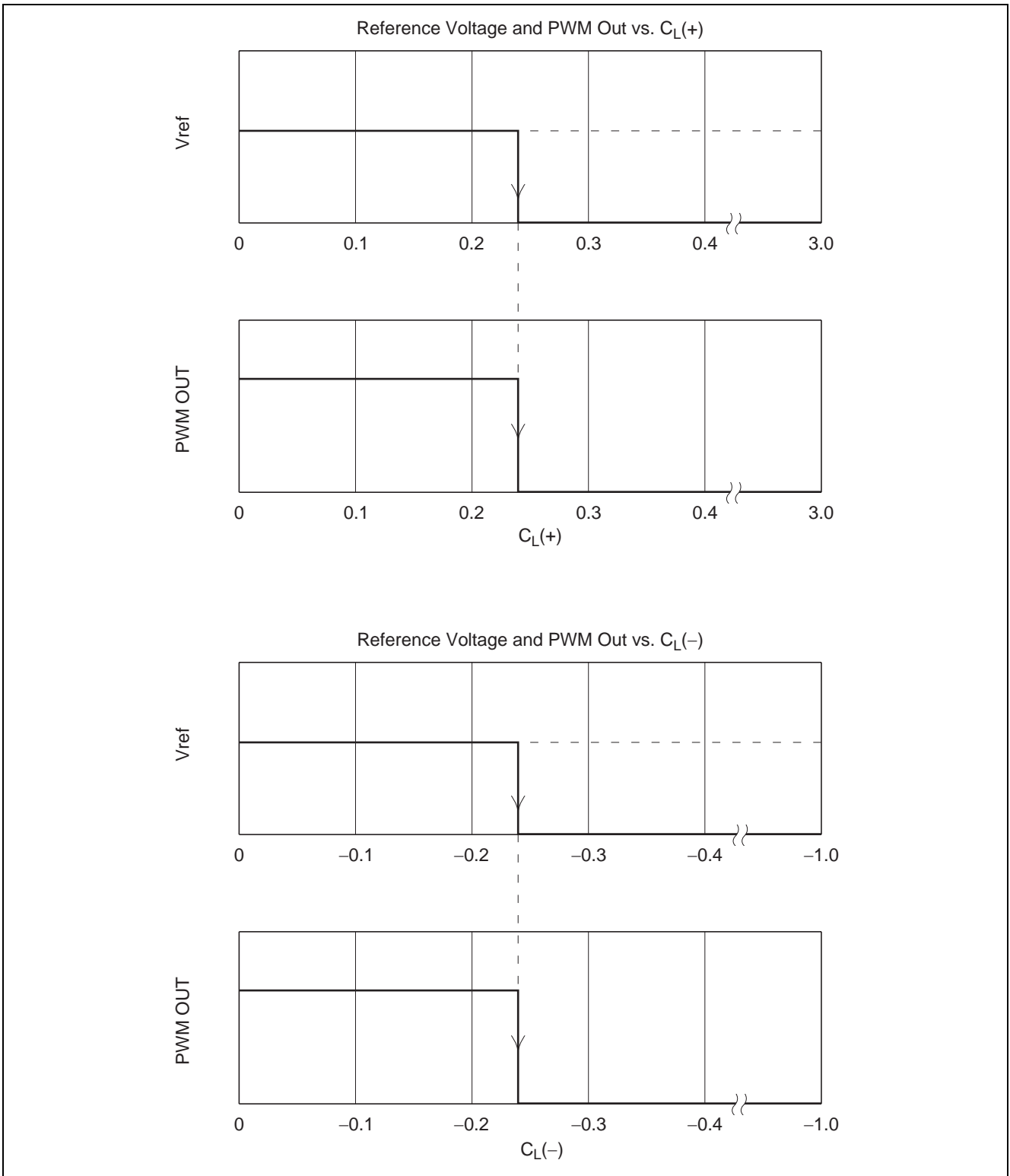
Characteristic Curves

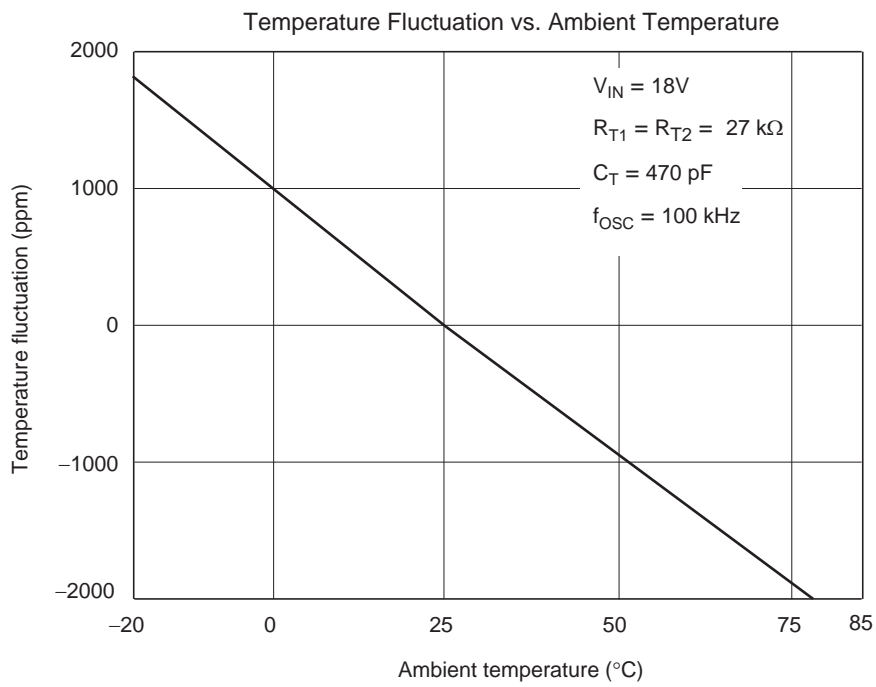
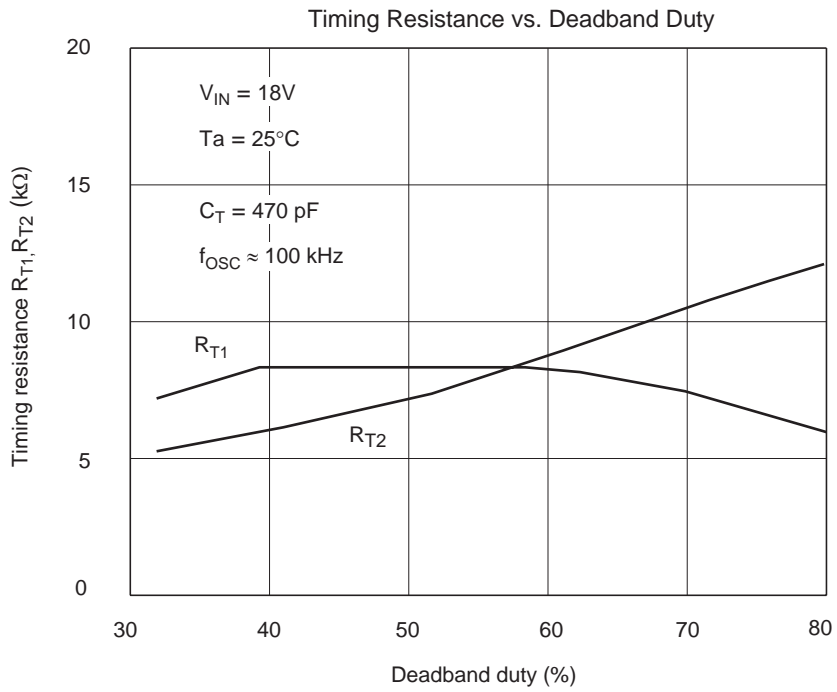


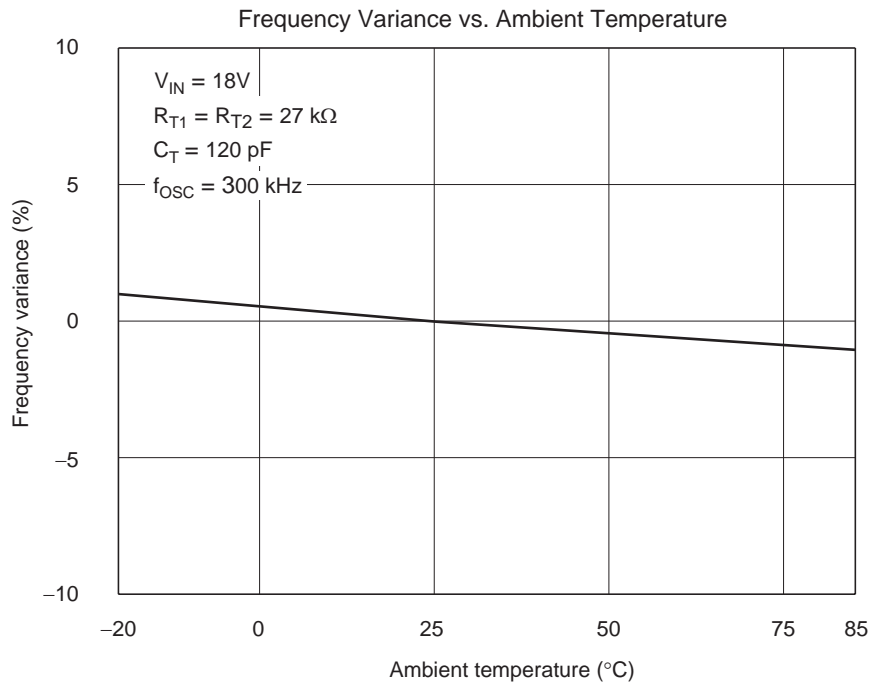
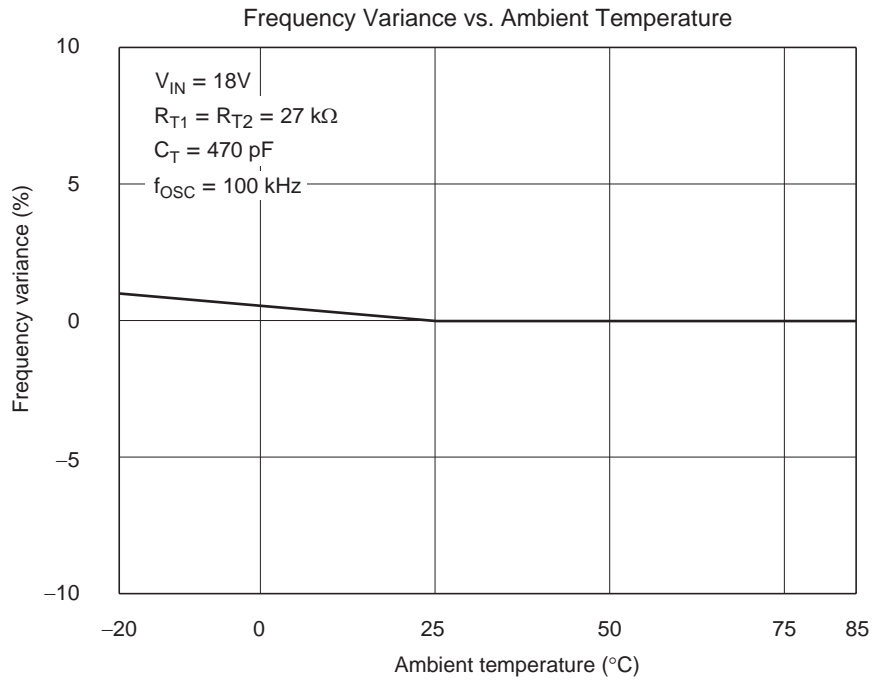




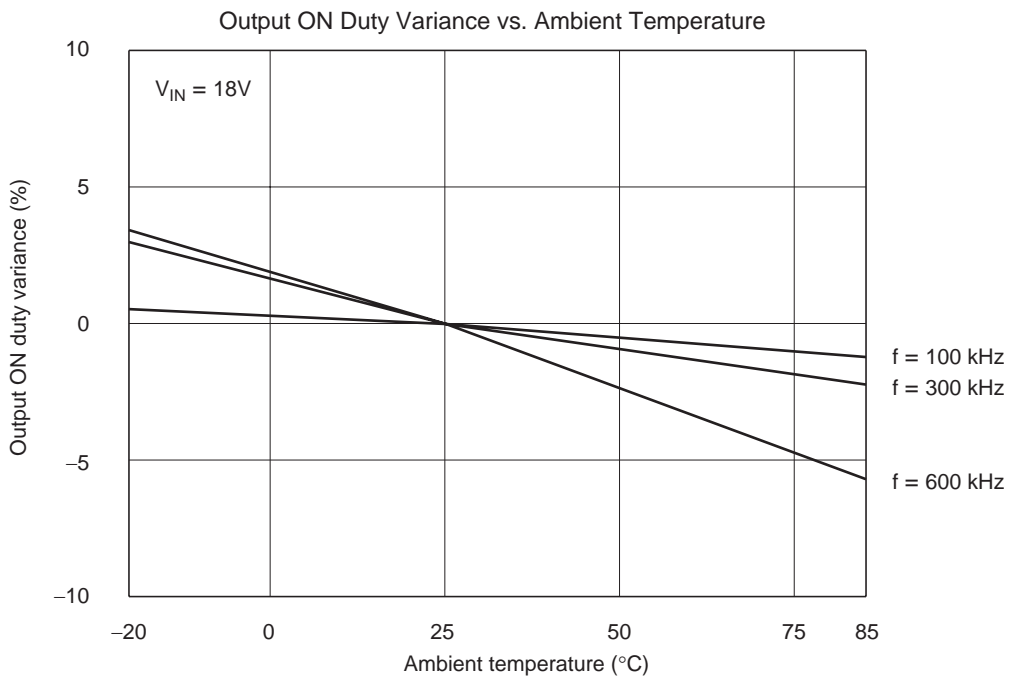
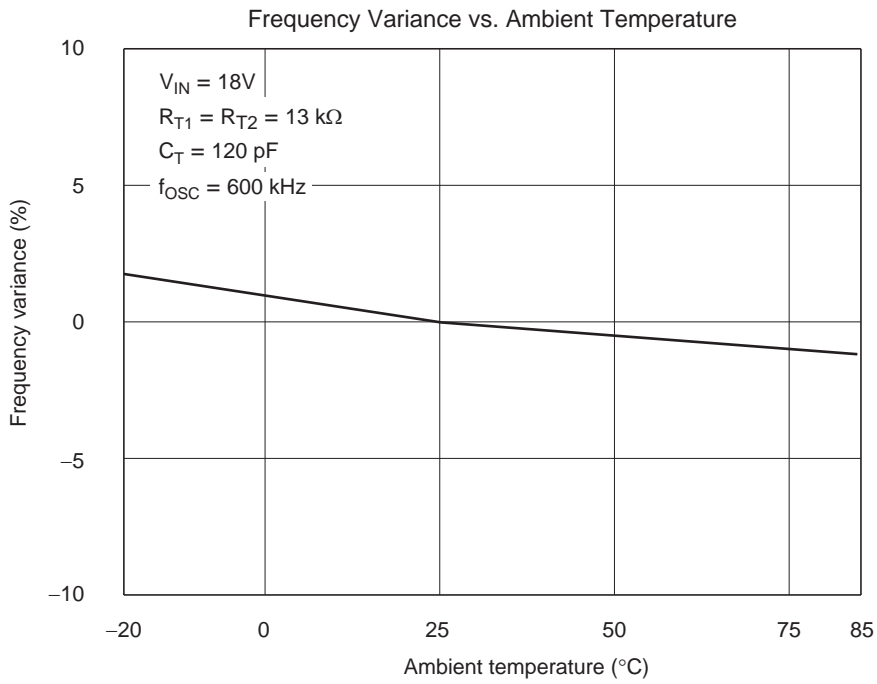


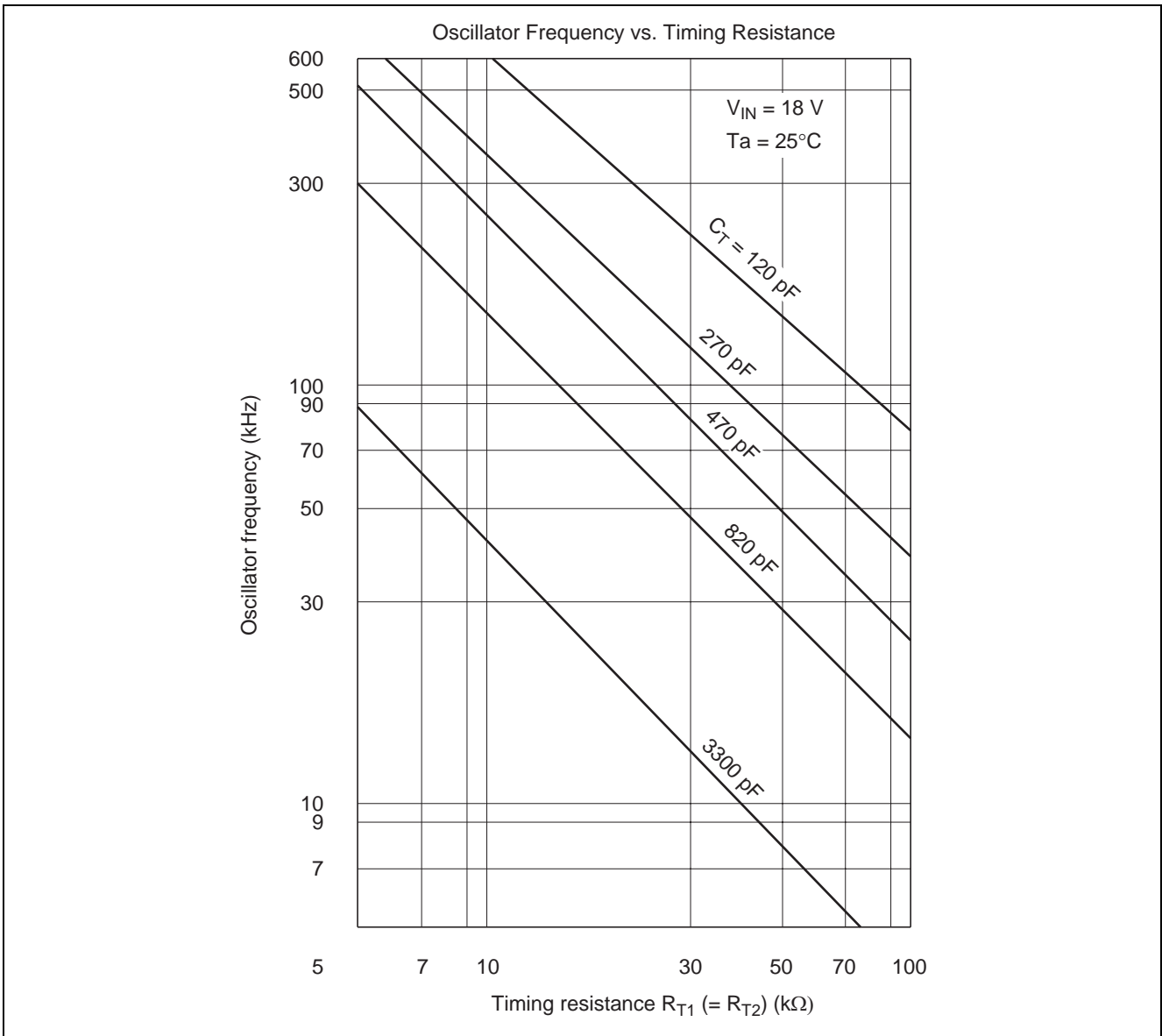


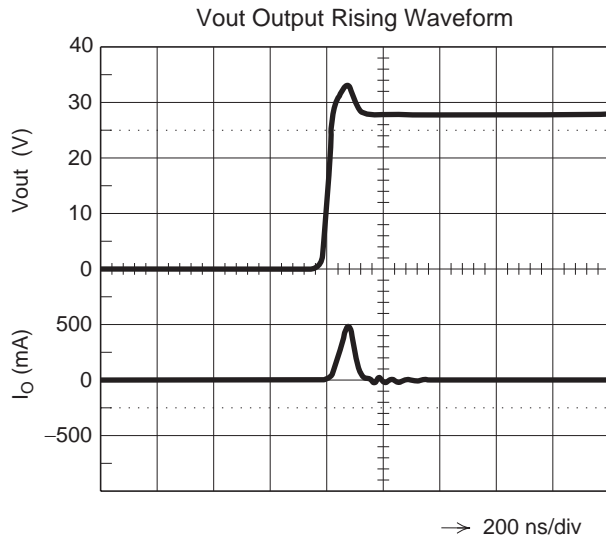






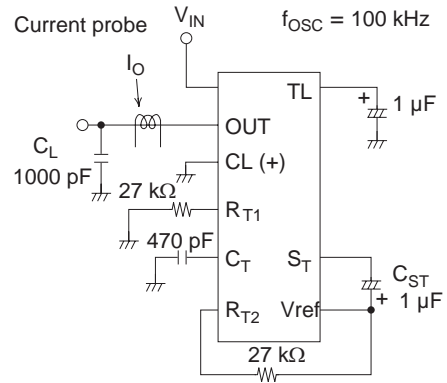




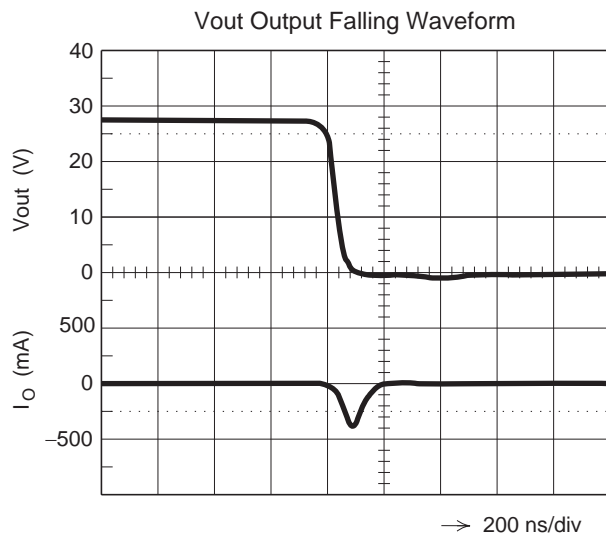


Test circuit

Ta = 25°C  
 RT1 = RT2 = 27 kΩ  
 CT = 470 pF  
 fOSC = 100 kHz

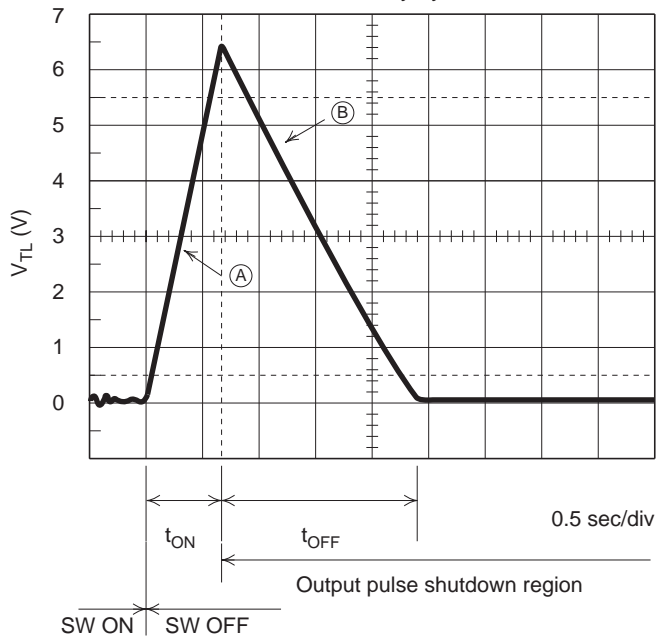


\* Current probe: Tektronix AM503

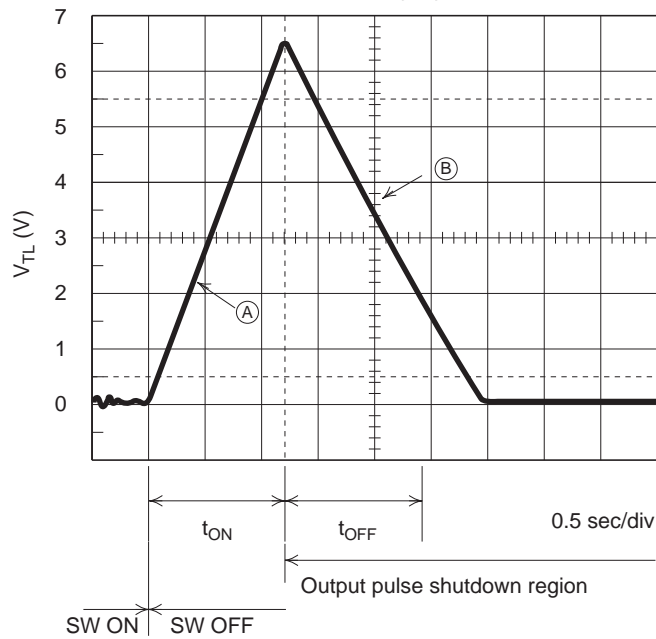


Operating waveform at the TL pin

When overcurrent is input at the point where the duty cycle is 0%.



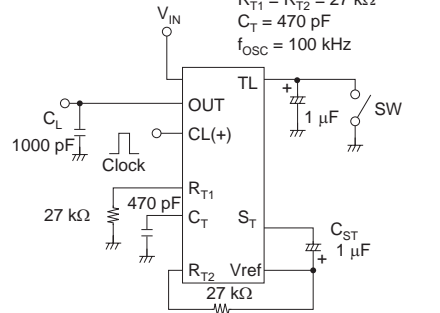
When overcurrent is input at the point where the duty cycle is 30%.



HA16107

Test circuit

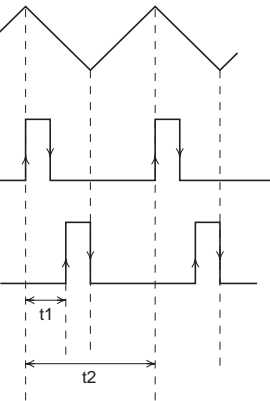
$V_{IN} = 18V$   
 $R_{T1} = R_{T2} = 27 k\Omega$   
 $C_T = 470 pF$   
 $f_{OSC} = 100 kHz$



Triangle wave

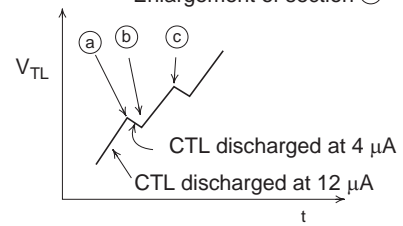
CL(+) when input at a duty of 0%

CL(+) when input at a duty of 30%

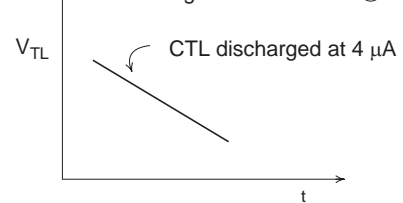


$$Du = \frac{t1}{t2} \times 100 (\%)$$

Enlargement of section (A)



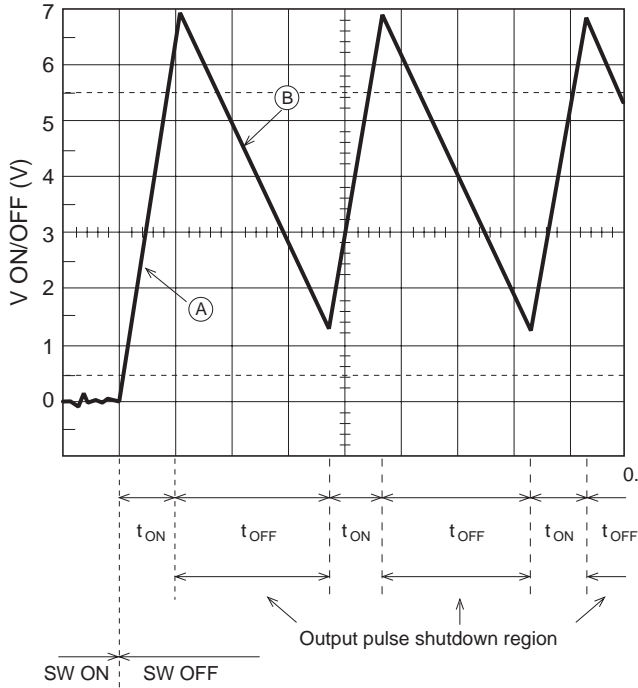
Enlargement of section (B)



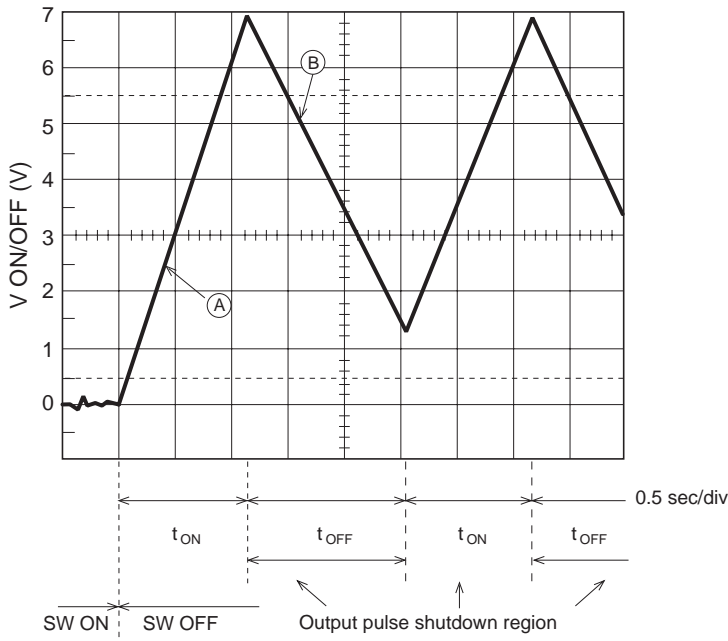
- (a) to (b) : PWM pulse output is High
- (b) : The point where overcurrent is detected
- (b) to (c) : PWM pulse output is Low.

Operating waveform at the ON/OFF pin

When overcurrent is input at the point where the duty cycle is 0%.



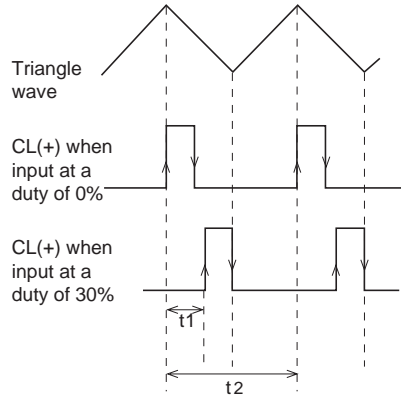
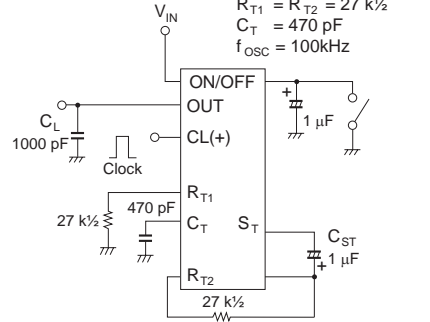
When overcurrent is input at the point where the duty cycle is 30%.



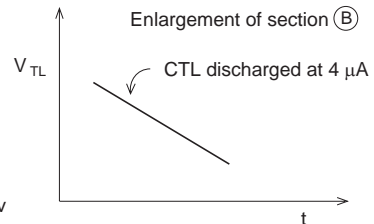
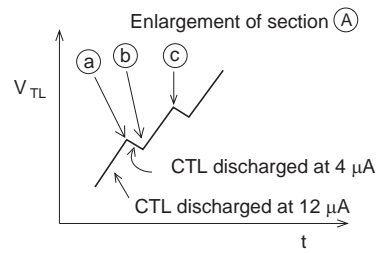
HA16108

Test circuit

$V_{IN} = 18V$   
 $R_{T1} = R_{T2} = 27\text{ k}\frac{1}{2}$   
 $C_T = 470\text{ pF}$   
 $f_{OSC} = 100\text{ kHz}$

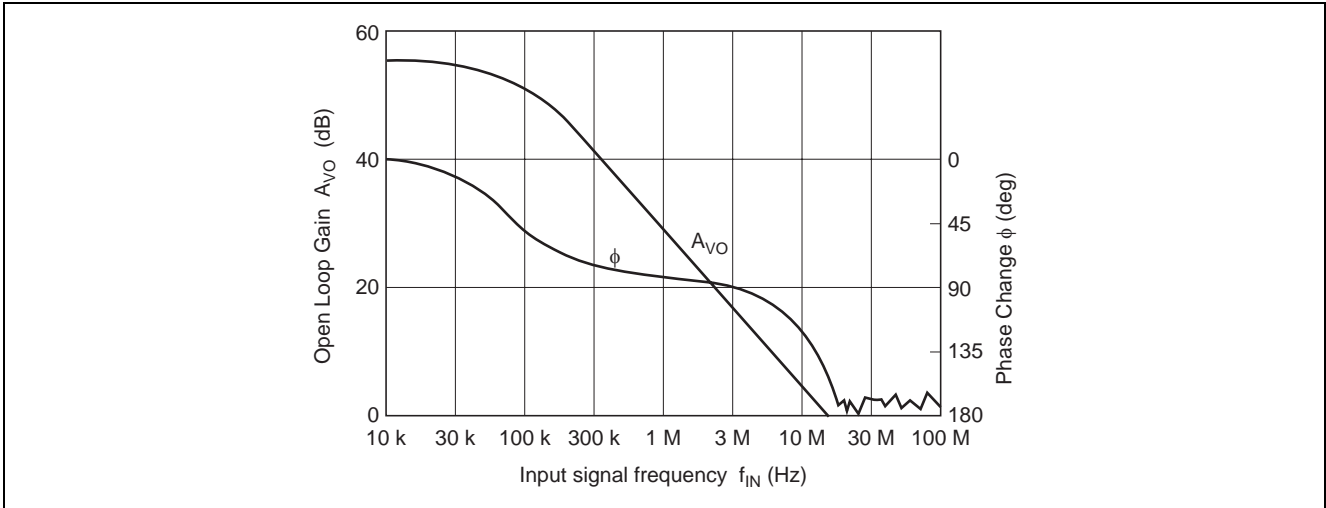


$$Du = \frac{t_1}{t_2} \times 100 (\%)$$

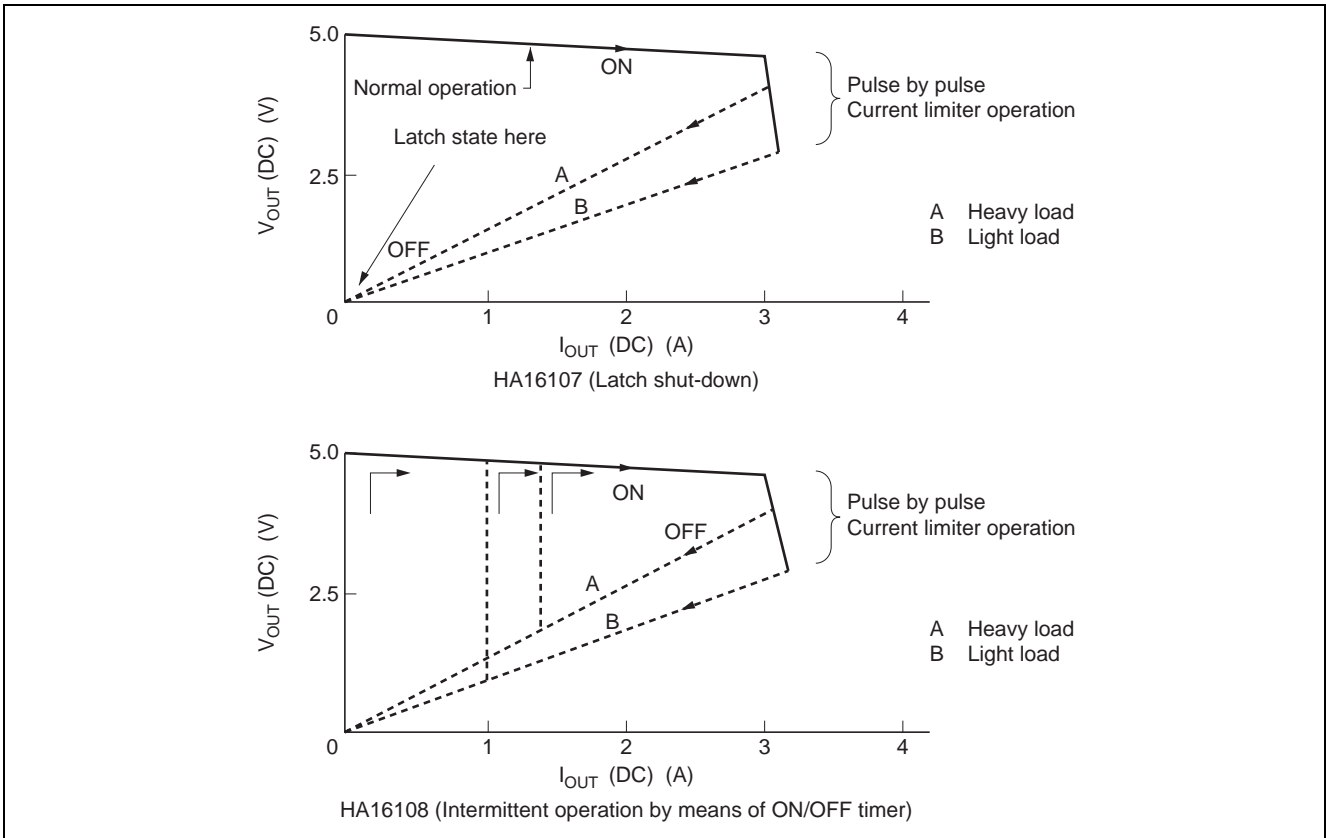


- (a) to (b) : PWM pulse output is High.
- (b) : The point where overcurrent is detected.
- (b) to (c) : PWM pulse output is Low.

**Error Amplifier Characteristic**



**Examples of Drooping Characteristics of Power Supplies Using these Ics**

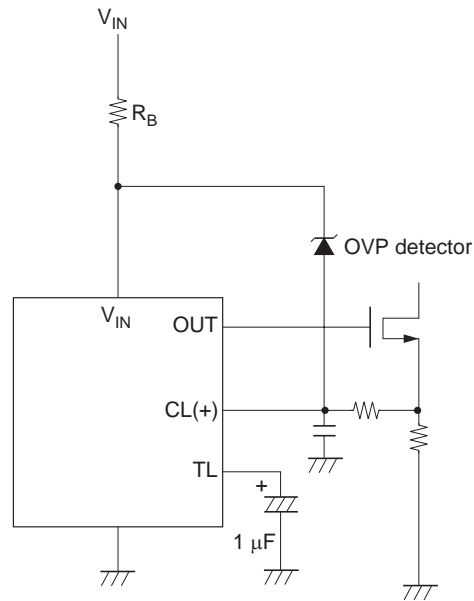








- When OVP signal is inserted at CL(+) pin



When the OVP detection Zener diode turns on, latch shutdown of the output is performed after the elapse of the time determined by the capacitance connected the TL pin.



In Figure 5, the parameters are given by the following equations.

Gain

$$G_1 = V_3/V_2 \times R_3/R_1$$

$$G_2 = V_3/V_2 \times R_4/R_1$$

Corner frequencies

$$f_1 = 1/(2\pi C_1 R_3)$$

$$f_2 = 1/(2\pi C_1 R_4)$$

Where  $R_3 \gg R_4$  (10:1 or above)

$G_1$  is made around 30 to 50 dB, taking both regulation and stability into consideration.

$f_1$  is made a lower value than commercial frequency ripple  $f_{AC}$ , thus preventing hunting (a system instability phenomenon).

Next,  $G_2$  is set to 0 dB or less as a guideline, so that there is no gain in IC operating frequency  $f_{OSC}$  (several tens to several hundreds of kHz).  $f_2$  should be set to a value that is substantially smaller than  $f_{OSC}$ , and that is appropriate for the power supply response speed (several kHz). In the case of a bridge type rectification circuit, the commercial frequency ripple is twice the input frequency (with a 50 Hz commercial frequency,  $f_{AC} = 100$  Hz).

## 2. External Constant Design for Current Detection Section (HA16107, HA16108, HA16666)

In the above IC models, which incorporate a current detection function, a low-pass filter such as shown in Figure 6 must be inserted between switch element current detection resistance  $R_{CS}$  and the current detection pin of the IC.

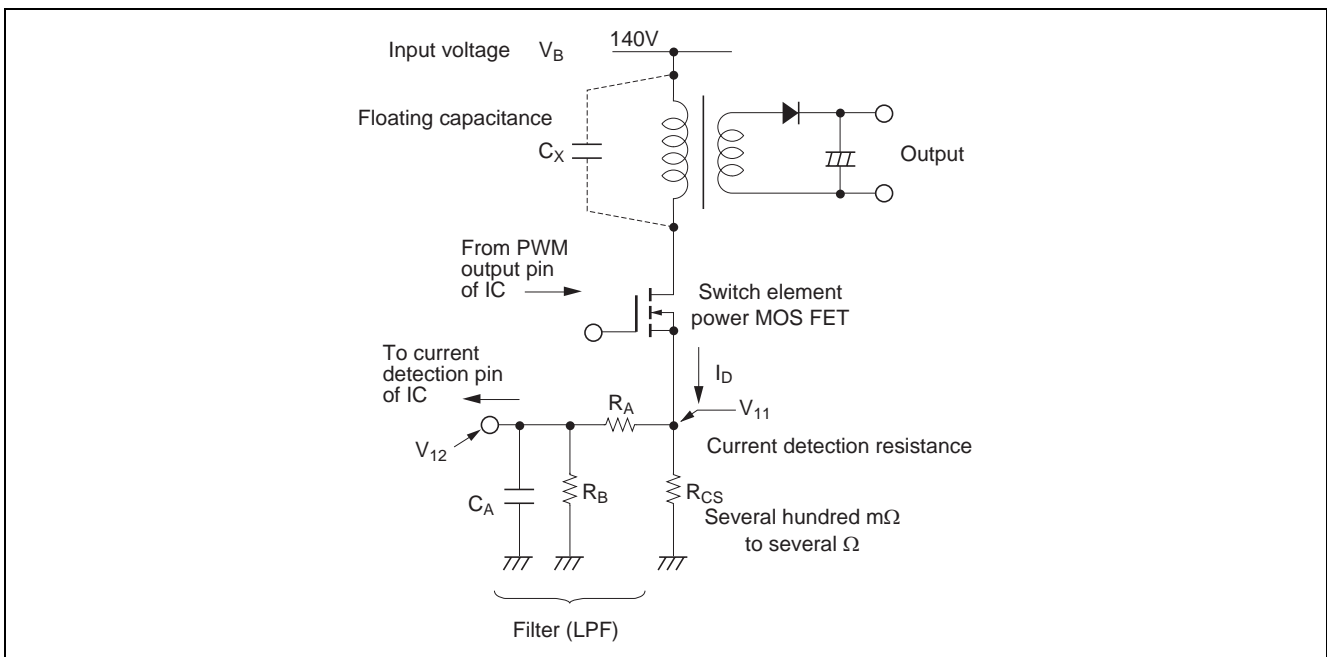


Figure 6 Current Detection Circuit

The reason for this is that, when the switch element is on in each cycle, there is an impulse current associated with charging of transformer floating capacitance  $C_X$ , and IC current detection malfunctions (see Figure 7).

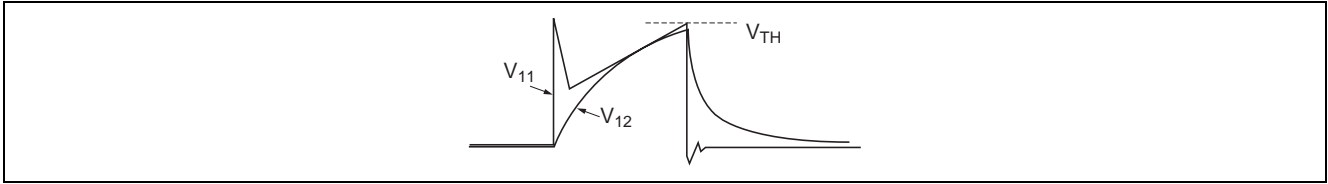


Figure 7 Current Detection Waveform

<Setting Numeric Values>

If the switch element current to be detected is designated  $I_D$ , and the current detection resistance  $R_{CS}$ , then the following equation is satisfied using the parameters in Figure 6.

$$I_D \times R_{CS} = ((R_A + R_B)/R_B) V_{TH}$$

$V_{TH}$  is the detection level voltage of the IC (240 mV in the case of the HA16107, for example).  $R_A$  and  $R_B$  are set to values on the order of several hundred  $\Omega$  to several  $k\Omega$ , so that  $R_{CS}$  is not affected.

Next, the filter cutoff frequency is set according to the following equation.

$$f_C = 1/(2\pi C_A (R_A/R_B))$$

$f_C$  can be found with the following guideline, using IC operating frequency  $f_{OSC}$ , power supply rating on-duty  $D$ , and power MOS element turn-on time  $t_{ON}$ .

$$f_{osc}/D \leq f_C \leq 1/(100 \times t_{ON})$$

Value 100 in the above equation provides a margin for noise, ringing, and so forth.

<Actual Example>

In an SW power supply using an HA16107, with a 100 kHz operating frequency and a  $D$  value of 30%, the relevant values were as follows:  $V_B = 140$  V,  $C_X = 80$  pF,  $t_{ON} = 10$  ns. Thus, when  $R_{CS} = 1 \Omega$ , the  $V_{11}$  level peak value reaches the following figure.

$$\begin{aligned} V_{11} \text{ (peak)} &= R_{CS} \times I_D \text{ peak} \\ &= R_{CS} \times (V_B \times C_X)/t_{ON} \\ &= 1\Omega \times (140 \text{ V} \times 80 \text{ pF})/10 \text{ ns} \\ &= 1.12 \text{ (V)} \end{aligned}$$

A filter with the following constants was then inserted.

$$R_A = R_B = 1 \text{ k}\Omega, C_A = 1000 \text{ pF}$$

At this time, the detectable drain current is 0.48 (A), and the filter cutoff frequency is 318 (kHz). Note that increasing a filter time constant is effective against noise, but if the value is too large, error will arise in the switch element current detection level.

### 3. IC Heat Emission Problem and Countermeasures (HA16107 Series, HA16114 Series)

While the above ICs can directly drive a power MOS FET gate, if the method of use is not thoroughly investigated, there will be a tendency for the gate drive power to increase and a problem of heat emission by the IC may occur. This section should therefore be noted and appropriate measures taken to prevent this kind of problem.

#### 1. Power MOS FET Drive Characteristics

When power MOS FET drive is performed, in order to lower the on-resistance sufficiently, overdrive is normally performed with a voltage considerably higher than 5 V, for example, such as the 15 V power supply voltage of the IC.

At this time, the power that should be supplied from the IC to the power MOS FET is determined by gate load  $Q_g$  in Figure 9.

#### 2. IC Heat-Emission Power Calculation (Figure 9)

The power that contributes to IC heat emission is calculated by means of the following equation.

$$P_d = V_{IN} I_Q + 2Q_g V_{IN} f$$

- Where
- $V_{IN}$  : Power supply voltage of IC
  - $I_Q$  : Operating current of IC (unloaded)
  - $Q_g$  : Above-mentioned gate load
  - $f$  : Operating frequency of IC

The coefficient, 2, indicates that gate discharging also contributes to heat emission.

### 4. Power MOS FET Gate Resistance Design (HA16107 Series, HA16114 Series)

There are the following three purposes in connecting a gate resistance, and the circuit is generally of the kind shown in Figure 8.

- (1) To suppress peak current due to gate charging
- (2) To protect IC output pins
- (3) To provide drive appropriate to power MOS FET input characteristics

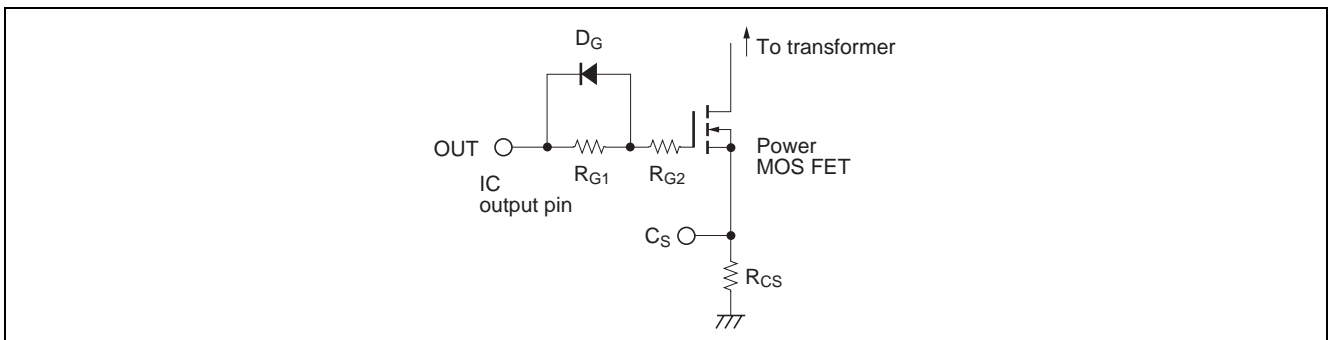


Figure 8 Gate Drive Circuit

This gate resistance  $R_G$  is given by the following equation.

$$R_G = (V_G/I_G) - (V_G \times t_{ON})/Q_g, \quad R_G = R_{G1} + R_{G2}$$

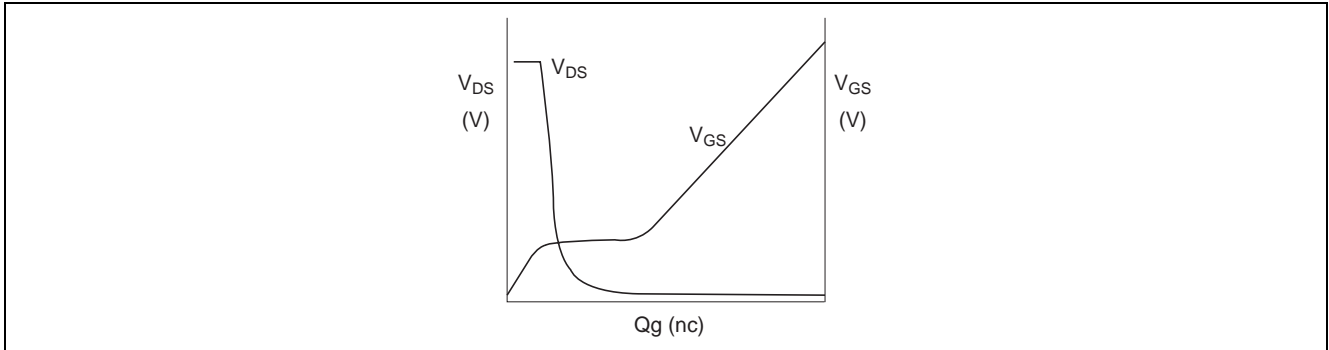
$I_G$  : Gate input peak current

$V_G$  : Gate drive voltage wave high value (equal to power supply voltage of IC)

$t_{ON}$  : Power MOS FET turn-on time

$t_{OFF}$  : Power MOS FET turn-off time

$Q_g$  : Gate charge according to Figure 9



**Figure 9 Power MOS FET Dynamic Input Characteristics**

Refer to the power MOS FET catalog for information on  $t_{ON}$  and  $Q_g$ .

By dividing  $R_G$  into  $R_{G1}$  and  $R_{G2}$ , it is possible for speed to be slowed when the power MOS FET is on, and increased when off.

Power MOS FET on and off times when mounted,  $t_{ON}'$  and  $t_{OFF}'$ , are as follows.

$$t_{ON}' = t_{ON} + Q_g(R_{G1} + R_{G2})/V_G$$

$$t_{OFF}' = t_{OFF} + Q_g \cdot R_{G2}/V_G$$

#### <Actual Example>

When driving a power MOS FET and 2SK1567 with an HA16107, etc.

( $R_{G1} = 100 \Omega$ ,  $R_{G2} = 20 \Omega$ ,  $V_G = 15 \text{ V}$ )

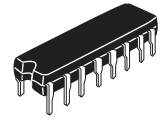
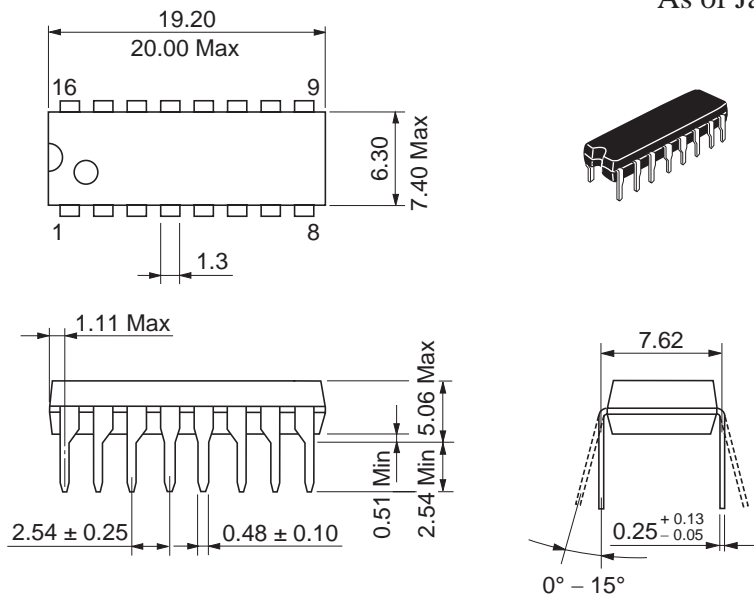
$$t_{ON}' = 70 \text{ ns} + 36 \text{ nc} \cdot (100 \Omega + 20 \Omega)/(15 \text{ V}) = 360 \text{ (ns)}$$

$$t_{OFF}' = 135 \text{ ns} + 36 \text{ nc} \cdot (20 \Omega)/(15 \text{ V}) = 183 \text{ (ns)}$$

Generally, the gate resistance values in the case of this circuit configuration are on the order of 100 to 470  $\Omega$  for  $R_{G1}$  and 10 to 47  $\Omega$  for  $R_{G2}$ .

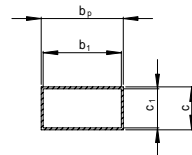
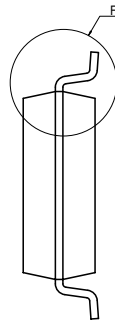
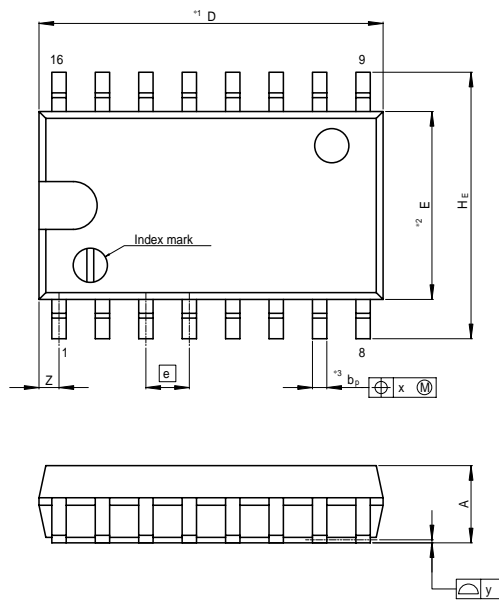
Package Dimensions

As of January, 2003  
Unit: mm

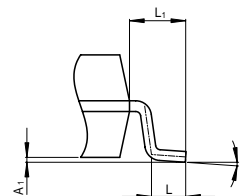


Package Code	DP-16
JEDEC	Conforms
JEITA	Conforms
Mass (reference value)	1.07 g

JEITA Package Code	RENASAS Code	Previous Code	MASS[Typ.]
P-SOP16-5.5x10.06-1.27	PRSP0016DH-A	FP-16DA	0.24g



Terminal cross section



Detail F

NOTE)  
1. DIMENSIONS\*1 (Nom)\*AND\*2\*  
DO NOT INCLUDE MOLD FLASH.  
2. DIMENSION\*3\*DOES NOT  
INCLUDE TRIM OFFSET.

Reference Symbol	Dimension in Millimeters		
	Min	Nom	Max
D	—	10.06	10.5
E	—	5.5	—
A <sub>2</sub>	—	—	—
A <sub>1</sub>	0.00	0.10	0.20
A	—	—	2.20
b <sub>p</sub>	0.34	0.42	0.50
b <sub>1</sub>	—	0.40	—
c	0.17	0.22	0.27
c <sub>1</sub>	—	0.20	—
θ	0°	—	8°
H <sub>E</sub>	7.50	7.80	8.00
e	—	1.27	—
x	—	—	0.12
y	—	—	0.15
Z	—	—	0.80
L	0.50	0.70	0.90
L <sub>1</sub>	—	1.15	—

## Renesas Technology Corp. Sales Strategic Planning Div. Nippon Bldg., 2-6-2, Ohte-machi, Chiyoda-ku, Tokyo 100-0004, Japan

---

Keep safety first in your circuit designs!

1. Renesas Technology Corp. puts the maximum effort into making semiconductor products better and more reliable, but there is always the possibility that trouble may occur with them. Trouble with semiconductors may lead to personal injury, fire or property damage.  
Remember to give due consideration to safety when making your circuit designs, with appropriate measures such as (i) placement of substitutive, auxiliary circuits, (ii) use of nonflammable material or (iii) prevention against any malfunction or mishap.

Notes regarding these materials

1. These materials are intended as a reference to assist our customers in the selection of the Renesas Technology Corp. product best suited to the customer's application; they do not convey any license under any intellectual property rights, or any other rights, belonging to Renesas Technology Corp. or a third party.
  2. Renesas Technology Corp. assumes no responsibility for any damage, or infringement of any third-party's rights, originating in the use of any product data, diagrams, charts, programs, algorithms, or circuit application examples contained in these materials.
  3. All information contained in these materials, including product data, diagrams, charts, programs and algorithms represents information on products at the time of publication of these materials, and are subject to change by Renesas Technology Corp. without notice due to product improvements or other reasons. It is therefore recommended that customers contact Renesas Technology Corp. or an authorized Renesas Technology Corp. product distributor for the latest product information before purchasing a product listed herein.  
The information described here may contain technical inaccuracies or typographical errors.  
Renesas Technology Corp. assumes no responsibility for any damage, liability, or other loss rising from these inaccuracies or errors.  
Please also pay attention to information published by Renesas Technology Corp. by various means, including the Renesas Technology Corp. Semiconductor home page (<http://www.renesas.com>).
  4. When using any or all of the information contained in these materials, including product data, diagrams, charts, programs, and algorithms, please be sure to evaluate all information as a total system before making a final decision on the applicability of the information and products. Renesas Technology Corp. assumes no responsibility for any damage, liability or other loss resulting from the information contained herein.
  5. Renesas Technology Corp. semiconductors are not designed or manufactured for use in a device or system that is used under circumstances in which human life is potentially at stake. Please contact Renesas Technology Corp. or an authorized Renesas Technology Corp. product distributor when considering the use of a product contained herein for any specific purposes, such as apparatus or systems for transportation, vehicular, medical, aerospace, nuclear, or undersea repeater use.
  6. The prior written approval of Renesas Technology Corp. is necessary to reprint or reproduce in whole or in part these materials.
  7. If these products or technologies are subject to the Japanese export control restrictions, they must be exported under a license from the Japanese government and cannot be imported into a country other than the approved destination.  
Any diversion or reexport contrary to the export control laws and regulations of Japan and/or the country of destination is prohibited.
  8. Please contact Renesas Technology Corp. for further details on these materials or the products contained therein.
- 



### RENESAS SALES OFFICES

<http://www.renesas.com>

Refer to "<http://www.renesas.com/en/network>" for the latest and detailed information.

**Renesas Technology America, Inc.**  
450 Holger Way, San Jose, CA 95134-1368, U.S.A  
Tel: <1> (408) 382-7500, Fax: <1> (408) 382-7501

**Renesas Technology Europe Limited**  
Dukes Meadow, Millboard Road, Bourne End, Buckinghamshire, SL8 5FH, U.K.  
Tel: <44> (1628) 585-100, Fax: <44> (1628) 585-900

**Renesas Technology Hong Kong Ltd.**  
7th Floor, North Tower, World Finance Centre, Harbour City, 1 Canton Road, Tsimshatsui, Kowloon, Hong Kong  
Tel: <852> 2265-6688, Fax: <852> 2730-6071

**Renesas Technology Taiwan Co., Ltd.**  
10th Floor, No.99, Fushing North Road, Taipei, Taiwan  
Tel: <886> (2) 2715-2888, Fax: <886> (2) 2713-2999

**Renesas Technology (Shanghai) Co., Ltd.**  
Unit2607 Ruijing Building, No.205 Maoming Road (S), Shanghai 200020, China  
Tel: <86> (21) 6472-1001, Fax: <86> (21) 6415-2952

**Renesas Technology Singapore Pte. Ltd.**  
1 Harbour Front Avenue, #06-10, Keppel Bay Tower, Singapore 098632  
Tel: <65> 6213-0200, Fax: <65> 6278-8001