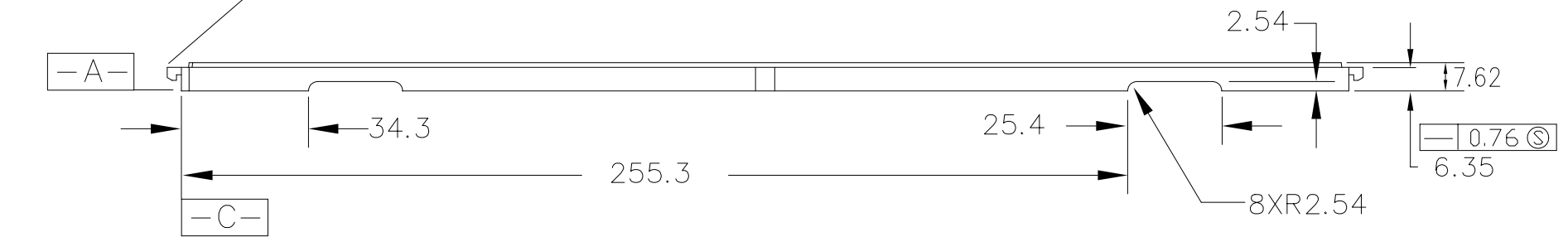
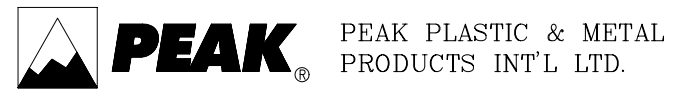


CHAMFER INDICATES PACKAGE PIN#1 ORIENTATION

SEE DETAIL D



- NOTES :
1. MATERIAL - PP8.
 2. ALL DIMENSIONS ARE IN MILLIMETERS.
 3. TOLERANCES - X.X=±0.25
- X.XX=±0.13
UNLESS OTHERWISE SPECIFIED.
 4. ESD - SURFACE RESISTIVITY
- 10⁵ TO 10¹¹ OHMS/SQ.
 5. FOR PACKAGE - 3.5 MM THICKNESS.
 6. PART NO. : ND 2828 3.5 0308 8 REV.B
(PLEASE INDICATE ON PURCHASE ORDER).



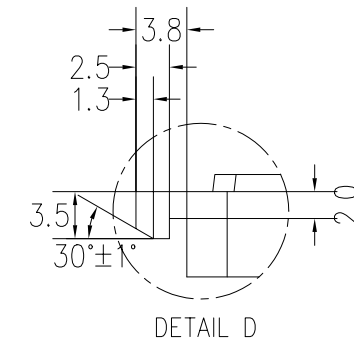
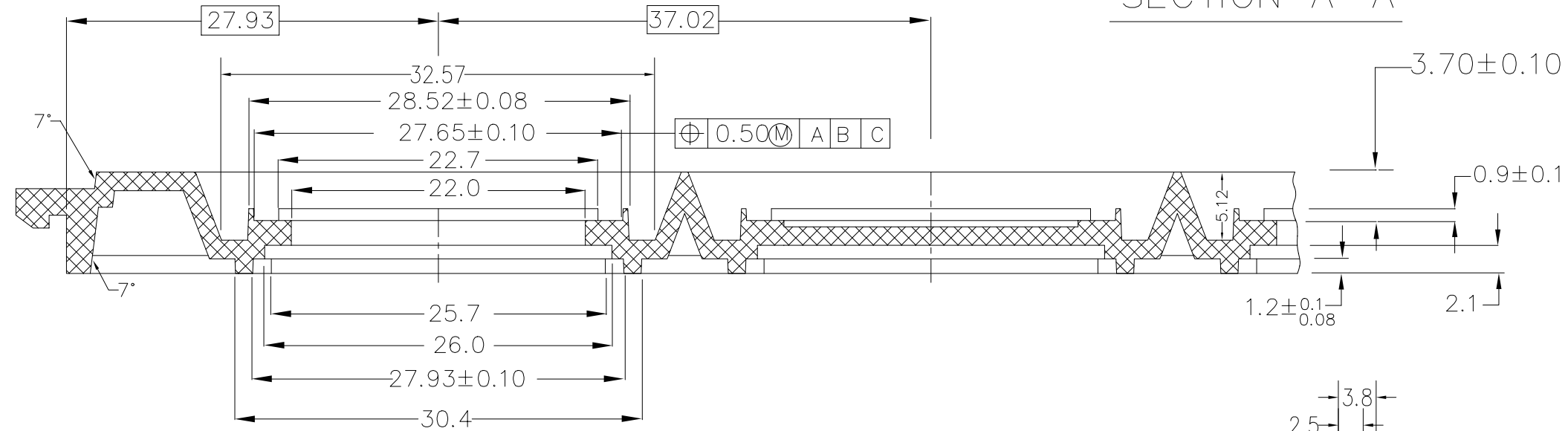
REV.NO.	ECN #	DESCRIPTION	DATE
13	P-00934	CHANGE PP13 MATERIAL TEMPERATURE	6 APR 99
12	P-00874	CHANGE SURFACE RESISTIVITY	2 FEB 99
11	P-00770	ADD RUNNER GATE	29 SEP 98
10	P-00658	CHANGE POSITION TOL	7 OCT 97
9	P-00446	CHANGE "LOW TEMP." TO "75°C MAX."	14 JAN 95
8	P-00419	CHANGE RIDGE HEIGHT DIM	20 DEC 94

THIS DOCUMENT CONTAINS INFORMATION PROPRIETARY TO PEAK PLASTIC & METAL PRODUCTS INTERNATIONAL LIMITED. REPRODUCTION, DISCLOSURE OR USE OF THIS DOCUMENT IS EXPRESSLY PROHIBITED EXCEPT IF OTHERWISE AGREED UPON IN WRITING.

DRAWN BY : Wang	PAGE 1 OF 2
CHECKED BY :	DATE : 6 APR 99
APPROVED BY :	DATE : 6 APR 99
APPROVED BY :	DATE : 6 APR 99
DO NOT SCALE DRAWING	CODE : CSA00636

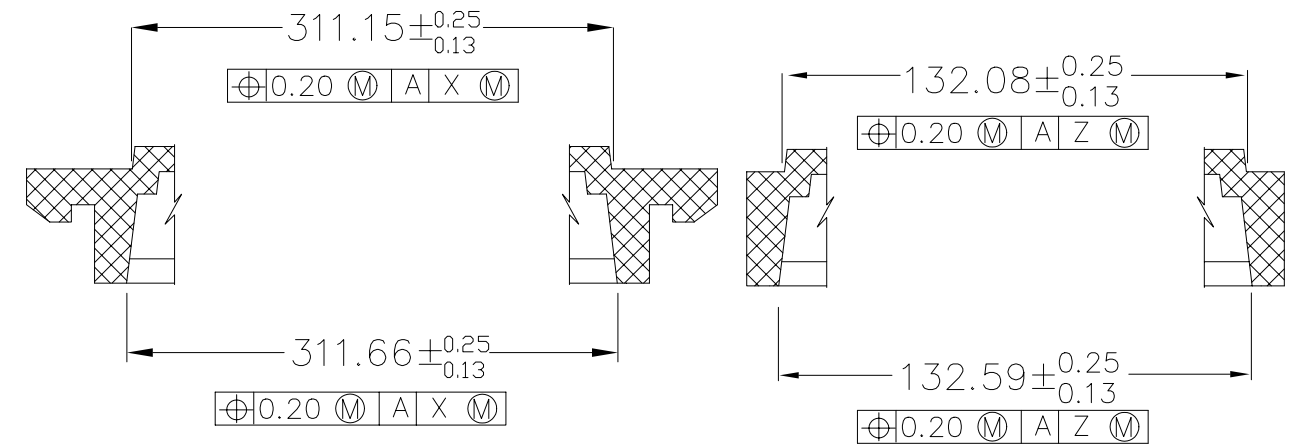
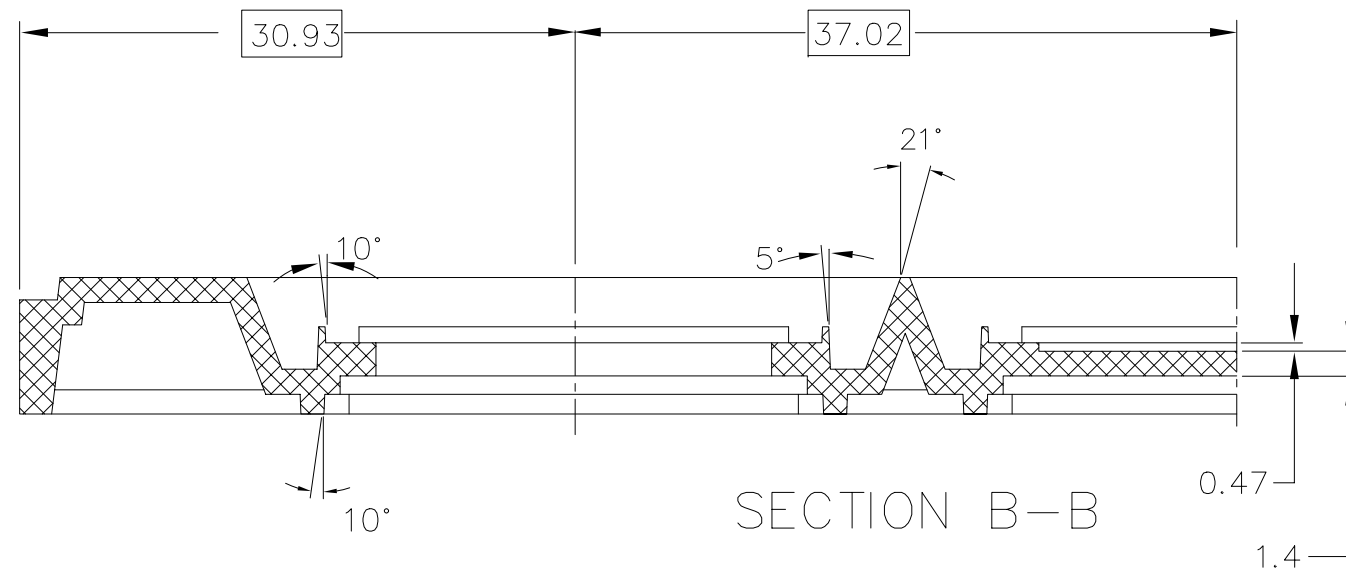
CUSTOMER :	PEAK	
TITLE :	ND 2828 3.5 0308 8 REV.B	
DWG NO.:	ND 2828 3.5 0308 8 REV.B	REV. 13

SECTION A-A



SECTION H-H

SECTION J-J



REV.NO.	ECN #	DESCRIPTION	DATE
13	P-00934	CHANGE PP13 MATERIAL TEMPERATURE	6 APR 99
12	P-00874	CHANGE SURFACE RESISTIVITY	2 FEB 99
11	P-00770	ADD RUNNER GATE	29 SEP 98
10	P-00658	CHANGE POSITION TOL	7 OCT 97
9	P-00446	CHANGE "LOW TEMP." TO "75°C MAX."	14 JAN 95
8	P-00419	CHANGE RIDGE HEIGHT DIM	20 DEC 94

THIS DOCUMENT CONTAINS INFORMATION PROPRIETARY TO PEAK PLASTIC & METAL PRODUCTS INTERNATIONAL LIMITED. REPRODUCTION, DISCLOSURE OR USE OF THIS DOCUMENT IS EXPRESSLY PROHIBITED EXCEPT IF OTHERWISE AGREED UPON IN WRITING.

DRAWN BY : Wang	PAGE 2 OF 2
CHECKED BY :	DATE : 6 APR 99
APPROVED BY :	DATE : 6 APR 99
APPROVED BY :	DATE : 6 APR 99
DO NOT SCALE DRAWING	CODE : CSA00636

CUSTOMER :	PEAK	
TITLE :	ND 2828 3.5 0308 8 REV.B	
DWG NO.:	ND 2828 3.5 0308 8 REV.B	REV. 13