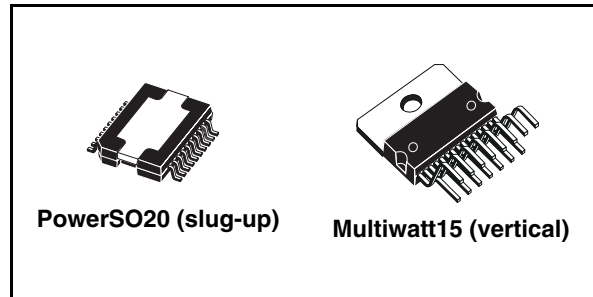

Multifunction voltage regulator for car radio

Features

- Four outputs:
 - 8.5V @ 500mA
 - 5V @ 300mA Permanent
 - 5V @ 800mA
 - 3.3V @ 800mA
- 2A high side driver
- Reset function
- Ignition comparator
- Load dump protection
- Thermal shutdown
- Overcurrent limitation
- All pins ESD protected



Description

The L5956 contains a triple voltage regulator and a power switch.

The IC includes a monitoring circuit for detection.

The IC features a very low quiescent under stand-by.

Table 1. Device summary

Order code	Package	Packing
L5956	Multiwatt-15 (vertical)	Tube
L5956PD	PowerSO-20	Tube
L5956PDTR	PowerSO-20	Tape and reel

Contents

- 1 Block diagram and pins description 5**
 - 1.1 Block diagram 5
 - 1.2 Pins description 5

- 2 Electrical specifications 6**
 - 2.1 Absolute maximum ratings 6
 - 2.2 Thermal data 6
 - 2.3 Electrical characteristics 6

- 3 Timing diagrams 10**

- 4 Package information 13**

- 5 Revision history 15**

List of tables

Table 1.	Device summary	1
Table 2.	Absolute maximum ratings	6
Table 3.	Thermal data	6
Table 4.	Electrical characteristics	6
Table 5.	Document revision history	15

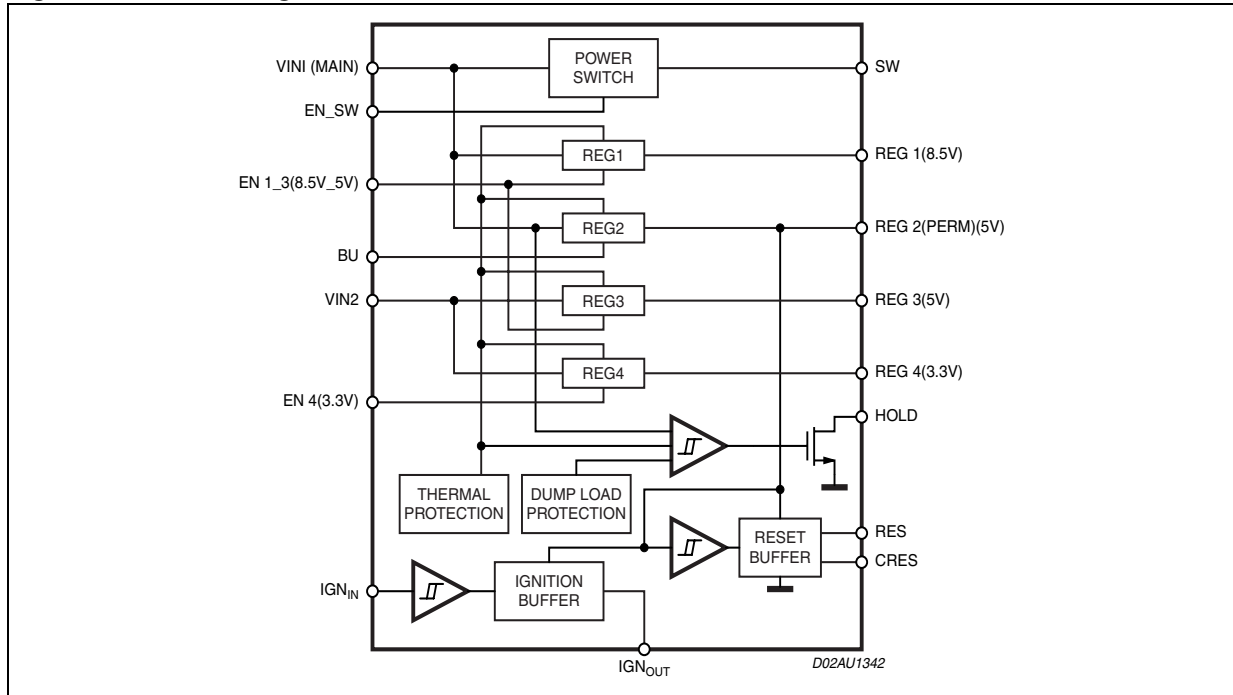
List of figures

Figure 1.	Block diagram	5
Figure 2.	Pins connection (top view)	5
Figure 3.	Typical application circuit	9
Figure 4.	Timing diagram of regulators and power switch	10
Figure 5.	Backup and reset diagram	10
Figure 6.	Hold and thermal protection	11
Figure 7.	Ignition buffer diagram	11
Figure 8.	Protection of the power switch	11
Figure 9.	Short circuit diagram	12
Figure 10.	PowerSO20 (slug-up) mechanical data and package dimensions	13
Figure 11.	Multiwatt 15 (vertical) mechanical data and package dimensions	14

1 Block diagram and pins description

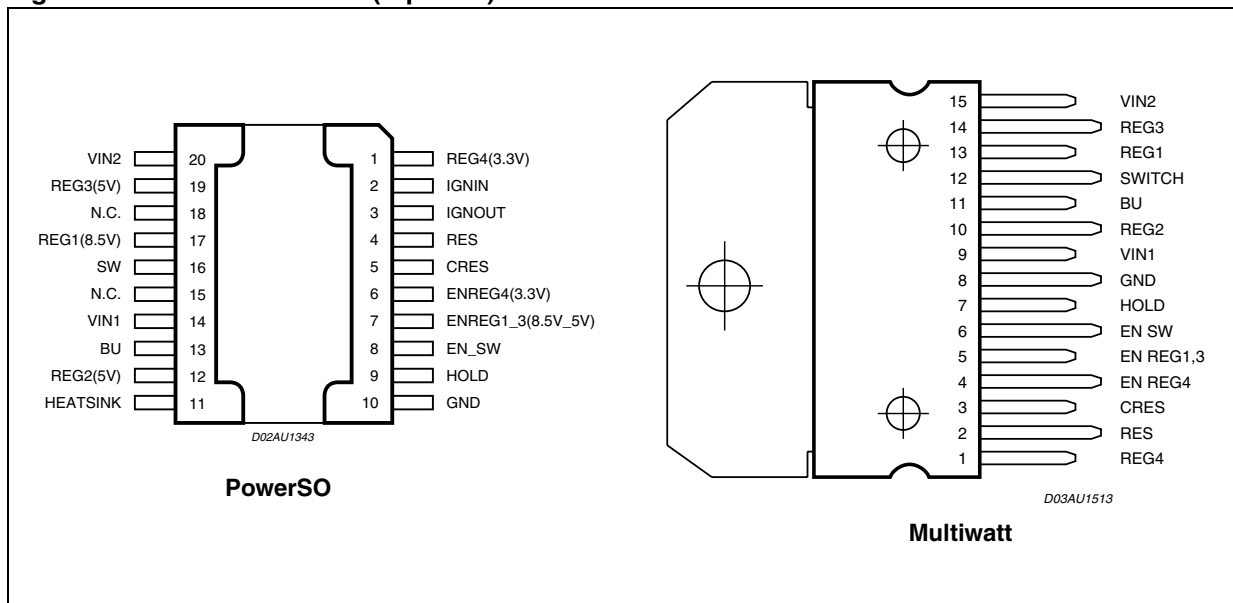
1.1 Block diagram

Figure 1. Block diagram



1.2 Pins description

Figure 2. Pins connection (top view)



2 Electrical specifications

2.1 Absolute maximum ratings

Table 2. Absolute maximum ratings

Symbol	Parameter	Value	Unit
V _{SDC}	DC operating supply voltage	30	V
V _{STR}	Transient supply voltage	50	V
I _O	Output current	internally limited	
T _{op}	Operating temperature range	-40 to 85	°C
T _{stg}	Storage temperature	-55 to 150	°C
T _j	Junction temperature	-55 to 150	°C
P _d	Power dissipation at T _{case} = 85°C	43	W

2.2 Thermal data

Table 3. Thermal data

Symbol	Parameter	PowerSO	Multiwatt	Unit
R _{th j-case}	Thermal resistance junction to case	Max. 1.5	1.8	°C/W

2.3 Electrical characteristics

Table 4. Electrical characteristics

(V_S = 14.4V; T_{amb} = 25°C; unless otherwise specified)

Symbol	Parameter	Test condition	Min.	Typ.	Max.	Unit
INPUT SUPPLIES						
V _{in1}	Input supply voltage 1	Operating	9		18	V
V _{in2}	Input supply voltage 2	Operating	6		18	V
V _{in1}	Input supply voltage 1	Reverse polarity	non operating			
V _{in2}	Input supply voltage 2	Reverse polarity	non operating			
I _q	Total quiescent current	Stand-by (-20°C to 85°C) IGN _{IN} = 5V			60	μA
		REGx = 5V, REGsw = 5V, IGN _{IN} = 5V		5		mA
		Stand-by (-20°C to 85°C) IGN _{IN} = 5V, V _{CC} = 18V		100	170	μA
Load dump V _{in1}	Battery overvoltage	V _{in1}	18	20	22	V

Table 4. Electrical characteristics (continued)

 $(V_S = 14.4V; T_{amb} = 25^\circ C; \text{ unless otherwise specified})$

Symbol	Parameter	Test condition	Min.	Typ.	Max.	Unit
Load dump V_{in2}	Battery overvoltage	V_{in2}	18	20	22	V
REGULATOR 1						
V_o (REG 1)	Output voltage 8.5V		8	8.5	9	V
ΔV	Line regulation	$V_{in1} = 10 \text{ to } 18V; I = 500mA$			50	mV
ΔV	Line regulation	$V_{in1} = 9.3 \text{ to } 18V; I = 10mA$			50	mV
ΔVi	Load regulation	$I_{reg1} = 1 \text{ to } 500mA$			100	mV
I_q	Quiescent current	$I_{reg1} = 10mA$			5	mA
PSRR	Supply voltage ripple rejection	$f = 1KHz; V_{in1} = 1.5Vpp;$ $I_o = 500mA$	50			dB
V_{drop}	Drop out voltage	$I_{reg1} = 500mA (1)$			0.6	V
I_m	Current limit	$R_{short} = 0.5\Omega$	0.6		1.2	A
REGULATOR 2						
V_o (ST BY)	Output voltage 5V		4.75	5	5.25	V
ΔV	Line regulation	$V_{in1} = 7 \text{ to } 18V; I = 300mA$			50	mV
ΔV	Line regulation	$V_{in1} = 6 \text{ to } 18V; I = 10mA$			50	mV
ΔVi	Load regulation	$I_{reg2} = 1 \text{ to } 300mA$			100	mV
I_q	Quiescent current	$I_{reg2} = 10mA$			3	mA
PSRR	Supply voltage ripple rejection	$f = 1KHz; V_{in1} = 1.5Vpp;$ $I_o = 300mA$	50			dB
V_{drop}	Drop out voltage	$I_{reg2} = 300mA (1)$			1.5	V
V_{drop}	Drop out voltage	$I_{reg2} = 100mA (1)$			0.6	V
I_m	Current limit	$R_{short} = 0.5\Omega$	400		800	mA
REGULATOR 3						
V_o (REG 3)	Output voltage 5V		4.75	5	5.25	V
ΔV	Line regulation	$V_{in2} = 7 \text{ to } 18V; I = 800mA$			50	mV
ΔV	Line regulation	$V_{in2} = 6 \text{ to } 18V; I = 10mA$			50	mV
ΔVi	Load regulation	$I_{reg3} = 1 \text{ to } 800mA$			100	mV
I_q	Quiescent current	$I_{reg3} = 10mA$			5	mA
PSRR	Supply voltage ripple rejection	$f = 1KHz; V_{in1} = 1.5Vpp;$ $I_o = 800mA$	50			dB
V_{drop}	Drop out voltage	$I_{reg3} = 800mA (1)$			1.5	V
I_m	Current limit	$R_{short} = 0.5\Omega$	1		2	A

Table 4. Electrical characteristics (continued)

 $(V_S = 14.4V; T_{amb} = 25^\circ C; \text{ unless otherwise specified})$

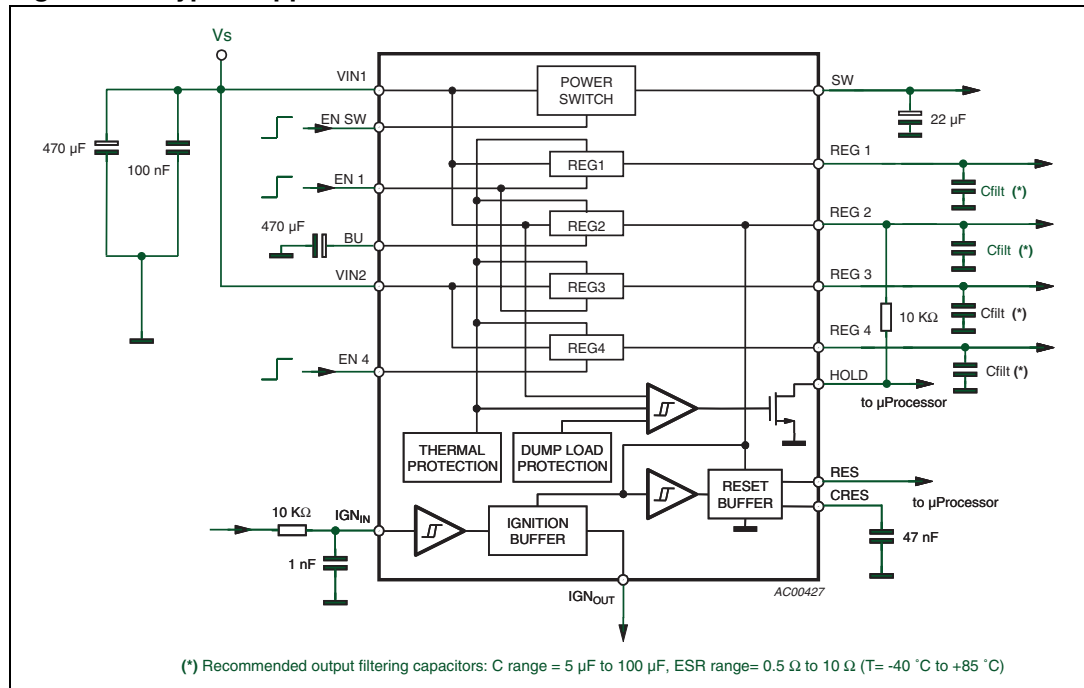
Symbol	Parameter	Test condition	Min.	Typ.	Max.	Unit
REGULATOR 4						
$V_{O(REG\ 4)}$	Output voltage 3.3V		3.15	3.3	3.45	V
ΔV	Line regulation	$V_{in2} = 6 \text{ to } 18V; I = 800mA$			50	mV
ΔV	Line regulation	$V_{in2} = 6 \text{ to } 18V; I = 10mA$			50	mV
ΔVi	Load regulation	$I_{reg4} = 1 \text{ to } 800mA$			100	mV
I_q	Quiescent current	$I_{reg4} = 10mA$			5	mA
PSRR	Supply voltage ripple rejection	$f = 1KHz; V_{in1} = 1.5V_{pp}; I_o = 800mA$	50			dB
V_{drop}	Drop out voltage	$I_{reg4} = 800mA^{(1)}$			2.5	V
I_m	Current limit	$R_{short} = 0.5\Omega$	1		2	A
POWER SWITCH						
V_{dropSW}	Drop voltage power switch	$I_{dcSW} = 1.8A \text{ max.}$			0.5	V
I_{pSW1}	Peak current power switch	Peak time < 15ms	2		3.5	A
I_{pSW2}	Peak current power switch	Peak time > 40ms	1		2	A
SW_{DEL}	Delay protection		15		40	ms
RESET BUFFER (with push-pull buffer)						
RES	RES falling	$V_{reg2} = 5V$	4.6	4.7	4.8	V
RES	RES rising	$V_{reg2} = 5V$	4.65	4.8	4.95	V
$V_{HYS(RES)}$	Hysteresis of reset buffer		50	100	200	mV
$I_{Hsource(RES)}$	High level source current	Reset = 0V	1000	1300	1600	μA
$I_{Lsink(RES)}$	Low level sink current	Reset = 5V	14	16	18	mA
RES_{delay}	$C_{res} = 47nF$		10		60	ms
ΔT_{RES}	Reset rise and fall time	$R = 10k\Omega \quad C = 15pF$			50	μs
I_{Charge}	Charge current	$C_{RES} = 0V$	3	5	10	μA
$I_{Discharge}$	Discharge current	$C_{RES} = 5V$	1		3	mA
$V_{TH(F)}$	Falling voltage threshold		1	1.2	1.4	V
$V_{TH(R)}$	Rising voltage threshold		2.5	2.8	3.5	V
V_{ol}	Low level	$I_{SINK(RES)} = 1mA$		0.3	0.5	V
V_{oh}	High level		4.5	V_{reg2}	5.5	V
HOLD SIGNAL						
V_{lowl}	Hold output low for V_{in1} low	Low detection			9	V
V_{lowh}	Hold output high for V_{in1} normal	Normal high detection	10		18	V
V_{lowl}	Hold output low for V_{in1} high	low detection	22			V
$V_{HOLD\ R}$	Low V_{IN1} threshold	V_{IN1} Low TH.	9	9.5	10	V
$V_{HYS(HOLD_L)}$	Hysteresis low TH.		50	150	200	mV

Table 4. Electrical characteristics (continued)
 ($V_S = 14.4V$; $T_{amb} = 25^\circ C$; unless otherwise specified)

Symbol	Parameter	Test condition	Min.	Typ.	Max.	Unit
$V_{HOLD F}$	High V_{IN1} threshold	V_{IN1} High TH.	18	20	22	V
$V_{HYS (HOLD_M)}$	Hysteresis high TH.		200		500	mV
IGNITION BUFFER (push-pull with Schmidt trigger)						
IGN_{IN}	IGN_{out} falling		1.03	1.17	1.28	V
IGN_{IN}	IGN_{out} rising		1.18	1.27	1.33	V
$V_{hys(IGNout)}$	Hysteresis of ignition buffer			50		mV
$I_{Hsource(IGNout)}$	High level source current	$I_{GNout} = 0V$	1000	1500	2000	μA
$I_{Lsink(IGNout)}$	Low level sink current	$I_{GNout} = 5V$	10	15	20	mA
V_{ol}	Low level	$I_{Lsink} (IGNout) = 1mA$		0.3	0.5	V
V_{oh}	High level		4.5	Vreg2	5.5	V
IGN_{RISE}	Rising time	$C = 15pF$			10	μs
IGN_{FALL}	Fall time	$C = 15pF$			10	μs
I_{CLAMP}	Input clamp current	$V_{CC} < V_{IGN} < 50V$			2	mA
IGN_{IN}	Input voltage	Operative	0		50	V
ENABLE INPUT (regulators 1,3,4 and power switch)						
V_{TH}	Voltage threshold		1.3	1.8	2.3	V
EN_{IN}	Input voltage	Operative	0		5	V

- Drop condition means that the supply voltage drop down to 100 mV from the regulated output and the regulator is sourcing its maximal load current °

Figure 3. Typical application circuit



3 Timing diagrams

Figure 4. Timing diagram of regulators and power switch

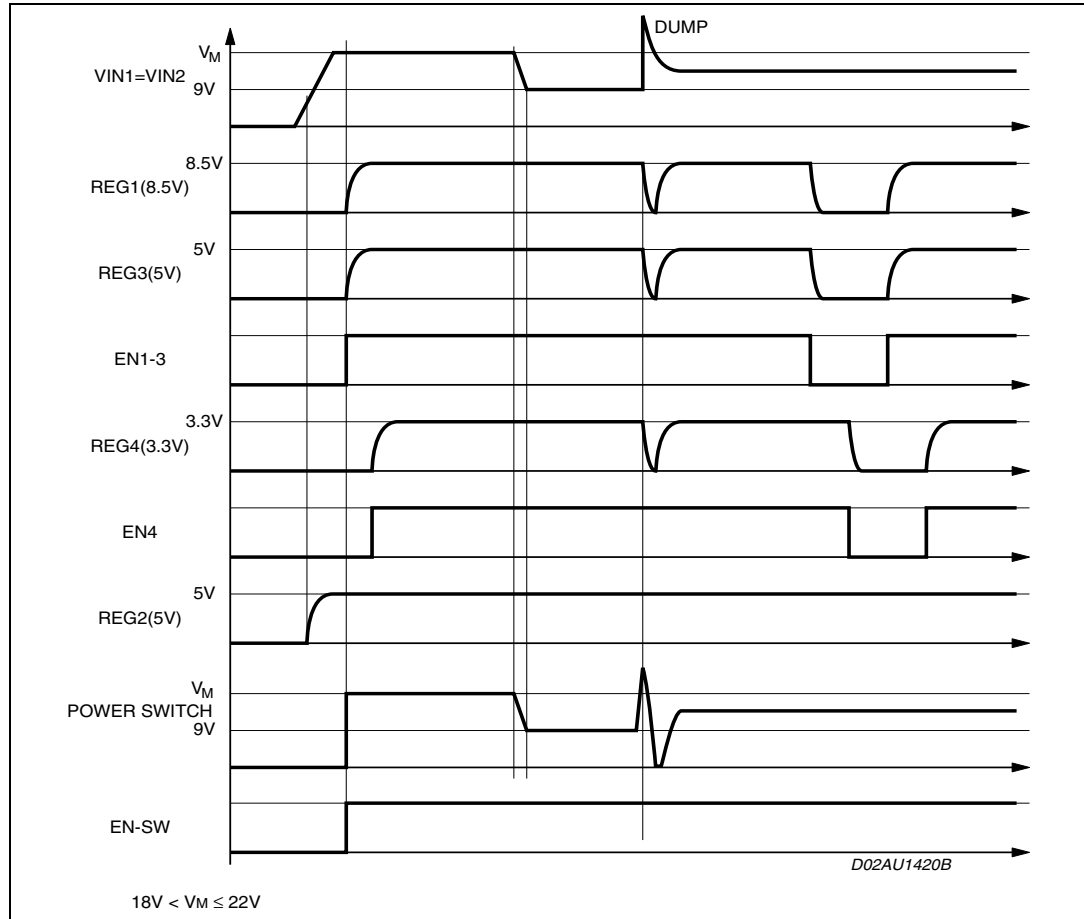


Figure 5. Backup and reset diagram

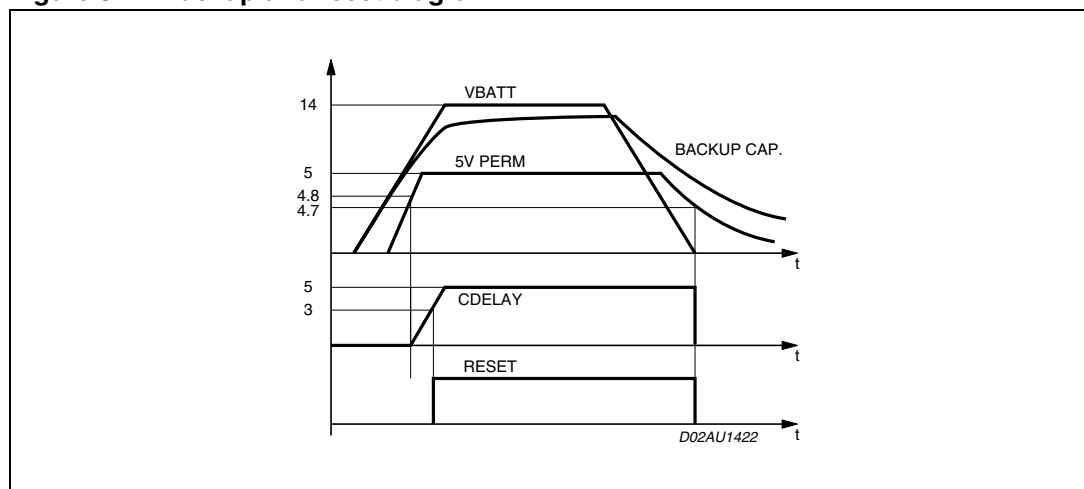


Figure 6. Hold and thermal protection

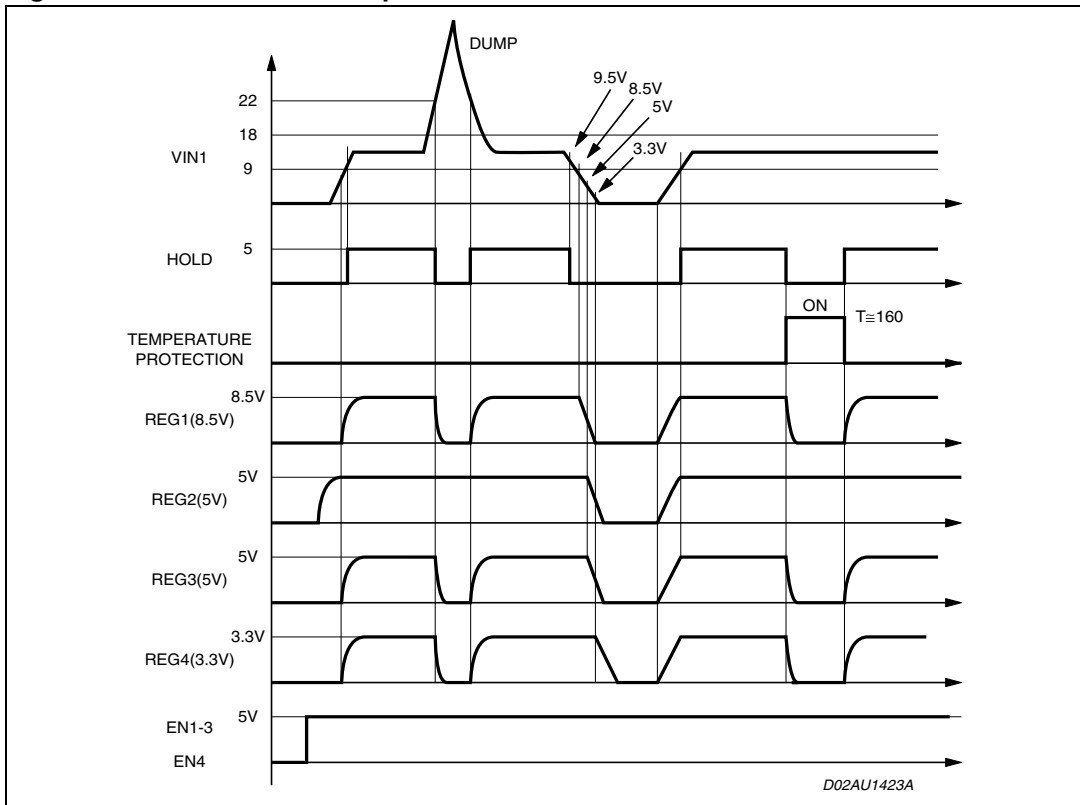


Figure 7. Ignition buffer diagram

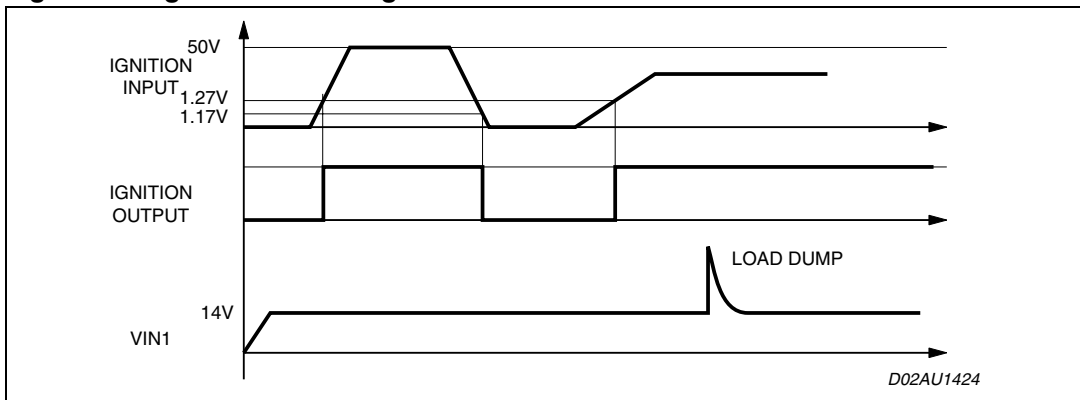


Figure 8. Protection of the power switch

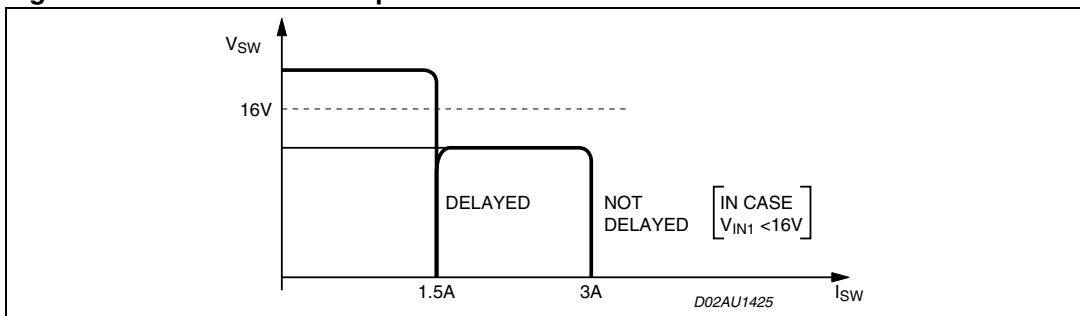
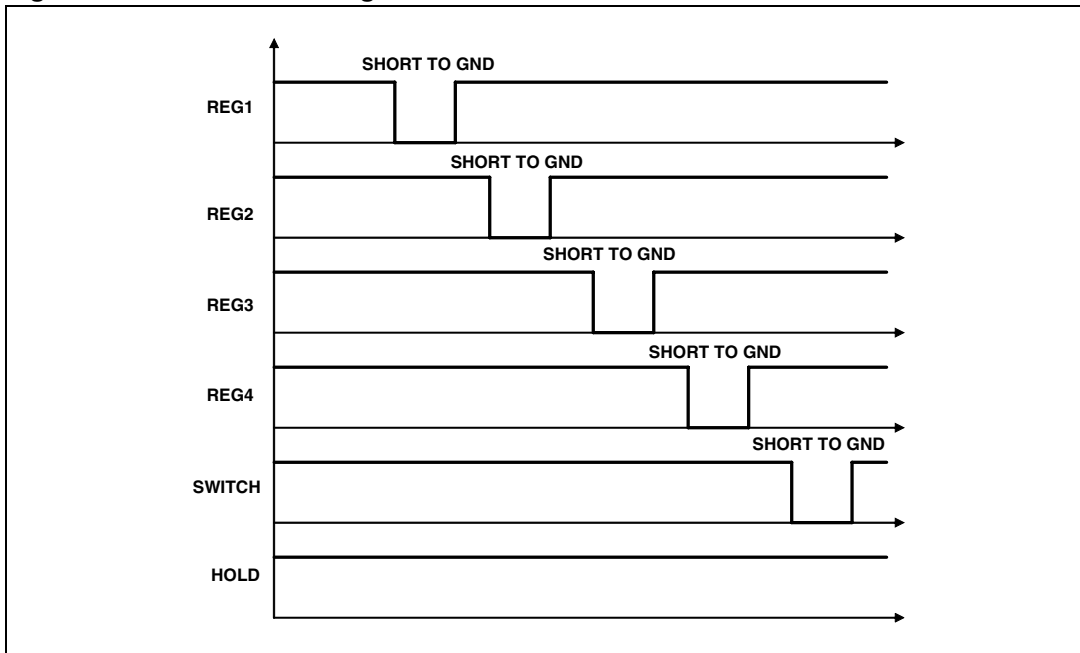


Figure 9. Short circuit diagram



4 Package information

In order to meet environmental requirements, ST offers this device in ECOPACK® packages. These packages have a Lead-free second level interconnect. The category of second level interconnect is marked on the package and on the inner box label, in compliance with JEDEC Standard JESD97. The maximum ratings related to soldering conditions are also marked on the inner box label. ECOPACK is an ST trademark.

ECOPACK specifications are available at: www.st.com.

Figure 10. PowerSO20 (slug-up) mechanical data and package dimensions

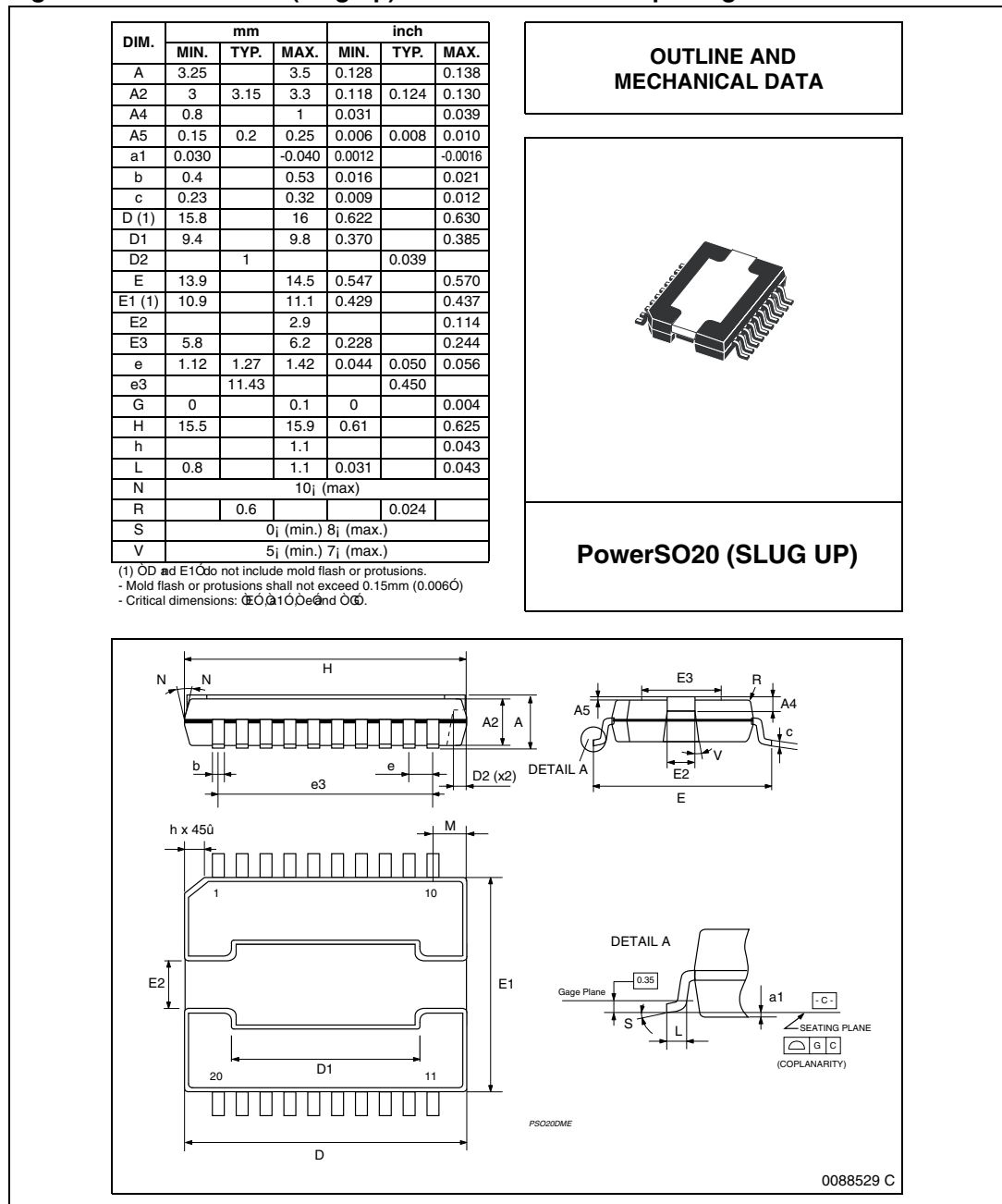
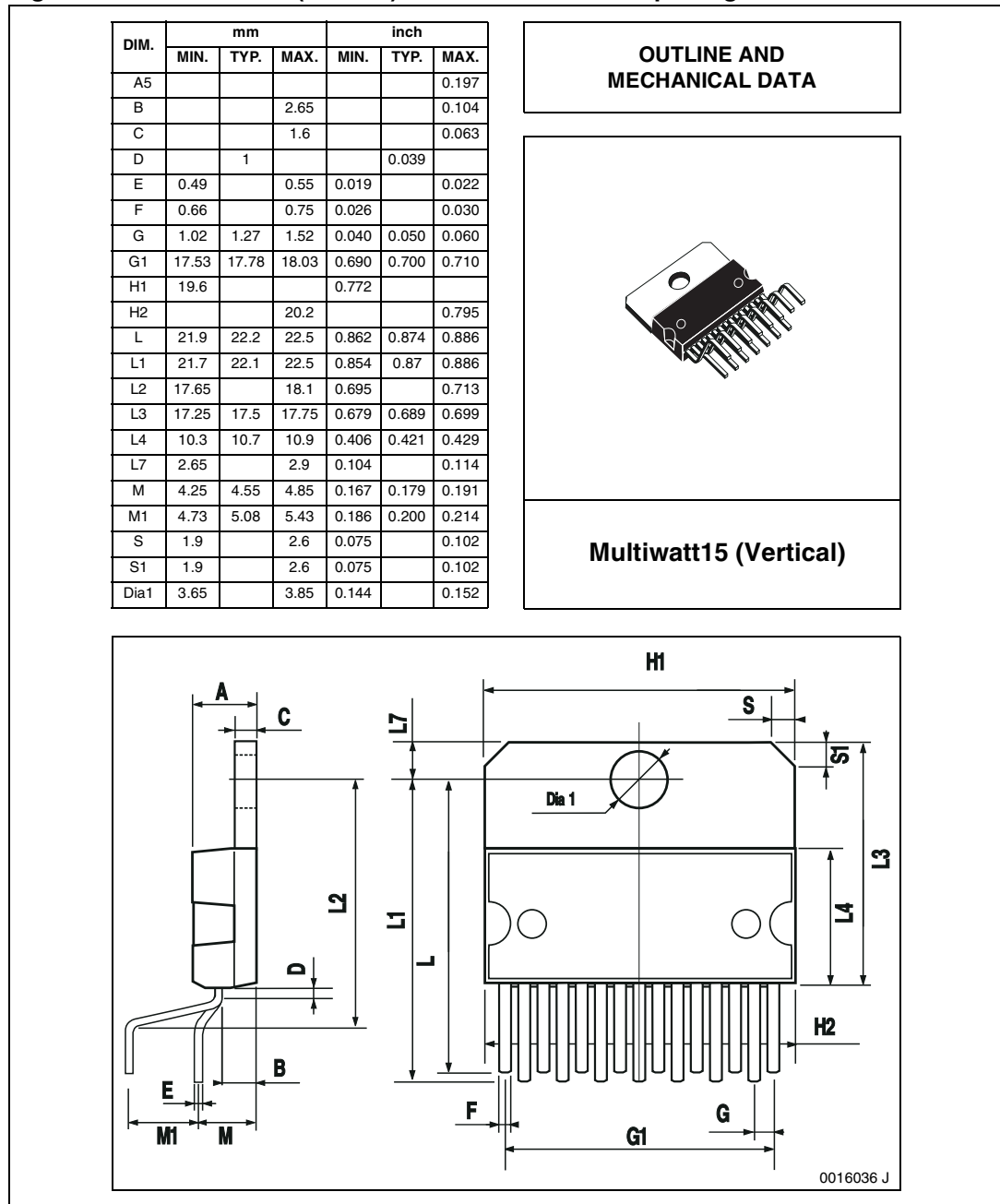


Figure 11. Multiwatt 15 (vertical) mechanical data and package dimensions



5 Revision history

Table 5. Document revision history

Date	Revision	Changes
29-Aug-2007	1	Initial release.

Please Read Carefully:

Information in this document is provided solely in connection with ST products. STMicroelectronics NV and its subsidiaries ("ST") reserve the right to make changes, corrections, modifications or improvements, to this document, and the products and services described herein at any time, without notice.

All ST products are sold pursuant to ST's terms and conditions of sale.

Purchasers are solely responsible for the choice, selection and use of the ST products and services described herein, and ST assumes no liability whatsoever relating to the choice, selection or use of the ST products and services described herein.

No license, express or implied, by estoppel or otherwise, to any intellectual property rights is granted under this document. If any part of this document refers to any third party products or services it shall not be deemed a license grant by ST for the use of such third party products or services, or any intellectual property contained therein or considered as a warranty covering the use in any manner whatsoever of such third party products or services or any intellectual property contained therein.

UNLESS OTHERWISE SET FORTH IN ST'S TERMS AND CONDITIONS OF SALE ST DISCLAIMS ANY EXPRESS OR IMPLIED WARRANTY WITH RESPECT TO THE USE AND/OR SALE OF ST PRODUCTS INCLUDING WITHOUT LIMITATION IMPLIED WARRANTIES OF MERCHANTABILITY, FITNESS FOR A PARTICULAR PURPOSE (AND THEIR EQUIVALENTS UNDER THE LAWS OF ANY JURISDICTION), OR INFRINGEMENT OF ANY PATENT, COPYRIGHT OR OTHER INTELLECTUAL PROPERTY RIGHT.

UNLESS EXPRESSLY APPROVED IN WRITING BY AN AUTHORIZED ST REPRESENTATIVE, ST PRODUCTS ARE NOT RECOMMENDED, AUTHORIZED OR WARRANTED FOR USE IN MILITARY, AIR CRAFT, SPACE, LIFE SAVING, OR LIFE SUSTAINING APPLICATIONS, NOR IN PRODUCTS OR SYSTEMS WHERE FAILURE OR MALFUNCTION MAY RESULT IN PERSONAL INJURY, DEATH, OR SEVERE PROPERTY OR ENVIRONMENTAL DAMAGE. ST PRODUCTS WHICH ARE NOT SPECIFIED AS "AUTOMOTIVE GRADE" MAY ONLY BE USED IN AUTOMOTIVE APPLICATIONS AT USER'S OWN RISK.

Resale of ST products with provisions different from the statements and/or technical features set forth in this document shall immediately void any warranty granted by ST for the ST product or service described herein and shall not create or extend in any manner whatsoever, any liability of ST.

ST and the ST logo are trademarks or registered trademarks of ST in various countries.

Information in this document supersedes and replaces all information previously supplied.

The ST logo is a registered trademark of STMicroelectronics. All other names are the property of their respective owners.

© 2007 STMicroelectronics - All rights reserved

STMicroelectronics group of companies

Australia - Belgium - Brazil - Canada - China - Czech Republic - Finland - France - Germany - Hong Kong - India - Israel - Italy - Japan - Malaysia - Malta - Morocco - Singapore - Spain - Sweden - Switzerland - United Kingdom - United States of America

www.st.com