

# GC118...R

## BAR CLAMP FOR HOCKEY PUK DEVICES

Clamping total thickness of assembly from  
3mm to 116mm

Pre-loaded to the specific clamping  
force (22 ÷ 32 kN)

Maximum device diameter: 105mm

Surface passivation to provide extra protection

Hexagon head bolt partially

threaded M8x1.25, UNI5737, 8.8 steel

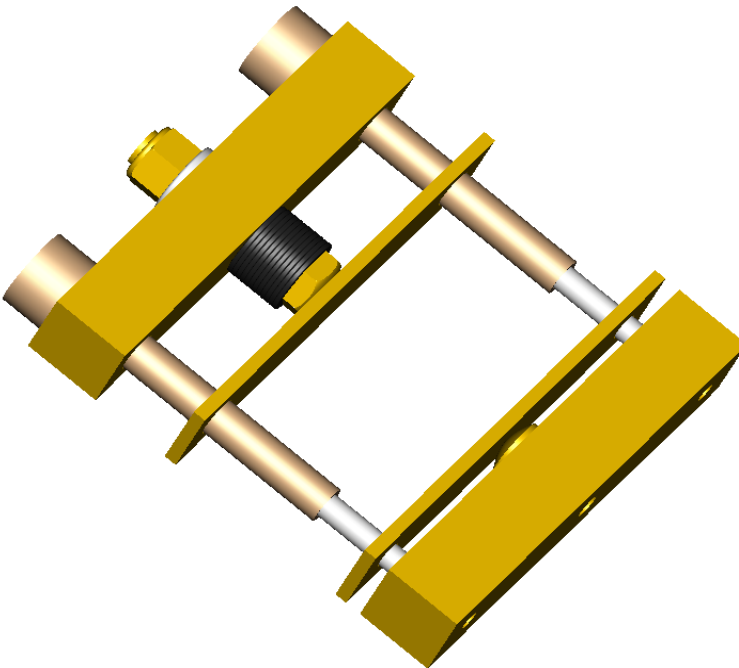
Various lengths of bolts and insulators

Round shaped clamping head for optimal clamping  
force application

Four styles available

User friendly clamping force indicator

UL94 certified insulation material



Parameter	Unit	Types	Testing conditions	Notes	Values			
					Min	Typ	Max	
Weight	g	GC118S...R			930		1030	
		GC118B...R			1750		1870	
Clamping Force*	kN	GC118...22R				22		
		GC118...24R				24		
		GC118...30R					30	
		GC118...32R					32	
Clamping Force tolerance						± 10%		
Insulation Voltage	V <sub>RMS</sub>		1 min			3000		
Insulating Material				Noryl ® **				
UL File				E322462				
Max. working temperature	°C				-30		110	
Creepage distance:	mm					28		
Clearance distance:	mm					30.3		
Storage temperature	°C				-40		110	
Flammability	mm			UL94 V-1 Flame class rating		1.5		
	mm			UL94 V-0 Flame class rating		8.00		
	mm			CSA Flammability		1.00		

\* Other clamping forces available: contact factory

\*\* Noryl ® is a registered trade mark of General Electric

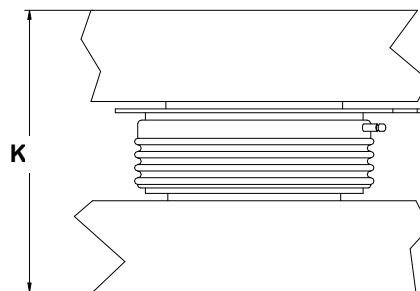


**ORDERING INFORMATION TABLE**

Clamps can be ordered using the following part numbering system

<b>GC118</b>	<b>B</b>	<b>N</b>	<b>B</b>	<b>A</b>	<b>24</b>	<b>R</b>	<b>S</b>
(1)	(2)	(3)	(4)	(5)	(6)		

<b>(1) Construction type:</b>	B = with double bar S = with single bar
<b>(2) Insulator position:</b>	N = upper side R = lower side
<b>(3) Insulator code:</b>	see table below
<b>(4) Bolt code:</b>	see table below
<b>(5) Clamping force (in kN):</b>	22 24 30 32
<b>(6) Special accessories</b>	blank = no accessories S = extra bar spacer D = pressure disc in place of pressure bar



K: Total thickness of the assembly to be clamped

 For thicknesses  $S'_{Min} < K < S_{Min}$  an additional 4mm thick bar spacer is needed (see list of special accessories)

**Type GC118BN...R: suggested insulator/bolt types**

Allowed clearance S			Insulator choice		Bolt choice		Max height
S' Min [mm]**	S Min [mm]	S Max [mm]	(3)	Ins. Length [mm]	(4)	Bolt Length [mm]	T [mm]
3	7	22	A	50	Z	100	115
13	17	32	A	50	A	110	125
23	27	42	B	70	B	120	135
33	37	52	B	70	C	130	145
43	47	62	C	95	D	140	155
53	57	72	C	95	E	150	165
63	67	82	C	95	F	160	175

\*\* with additional bar spacer only

**Type GC118BR...R: suggested insulator/bolt types**

Allowed clearance S			Insulator choice		Bolt choice		Max height
S' Min [mm]**	S Min [mm]	S Max [mm]	(3)	Ins. Length [mm]	(4)	Bolt Length [mm]	T [mm]
3	7	22	A	50 ***	Z	100	129
13	17	32	A	50 ***	A	110	139
23	27	42	A	50	B	120	149
33	37	52	A	50	C	130	159
43	47	62	B	70	D	140	169
53	57	72	B	70	E	150	179
63	67	82	C	95	F	160	189

\*\* with additional bar spacer only

\*\*\* For S Max

**Type GC118SN...R: suggested insulator/bolt types**

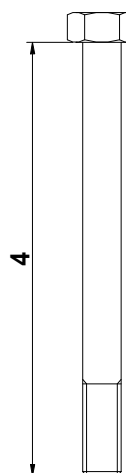
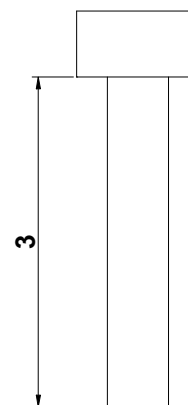
Allowed clearance S			Insulator choice		Bolt choice		Max height
S' Min [mm]**	S Min [mm]	S Max [mm]	(3)	Ins. Length [mm]	(4)	Bolt Length [mm]	T [mm]
12	16	31	A	50	Z	100	110
22	26	41	B	70	A	110	120
32	36	51	B	70	B	120	130
42	46	61	C	95	C	130	140
52	56	71	C	95	D	140	150
62	66	81	C	95	E	150	160
72	76	91	D	120	F	160	170

\*\* with additional bar spacer only

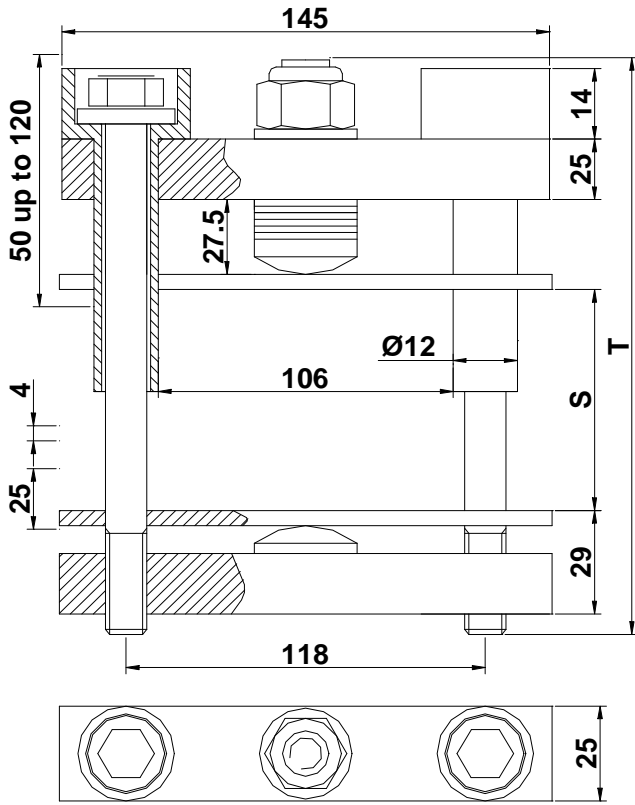
**Type GC118SR...R: suggested insulator/bolt types**

Allowed clearance S			Insulator choice		Bolt choice		Max height
S' Min [mm]**	S Min [mm]	S Max [mm]	(3)	Ins. Length [mm]	(4)	Bolt Length [mm]	T [mm]
37	41	56	B	70	Z	100	129
47	51	66	B	70	A	110	139
57	61	76	B	70	B	120	149
67	71	86	C	95	C	130	159
77	81	96	C	95	D	140	169
87	91	106	D	120	E	150	179
97	101	116	D	120	F	160	189

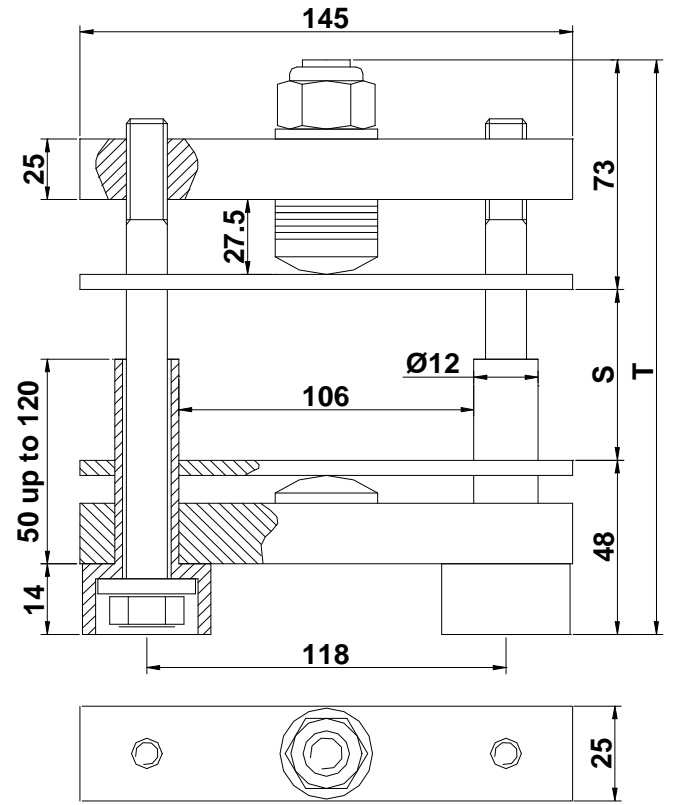
\*\* with additional bar spacer only



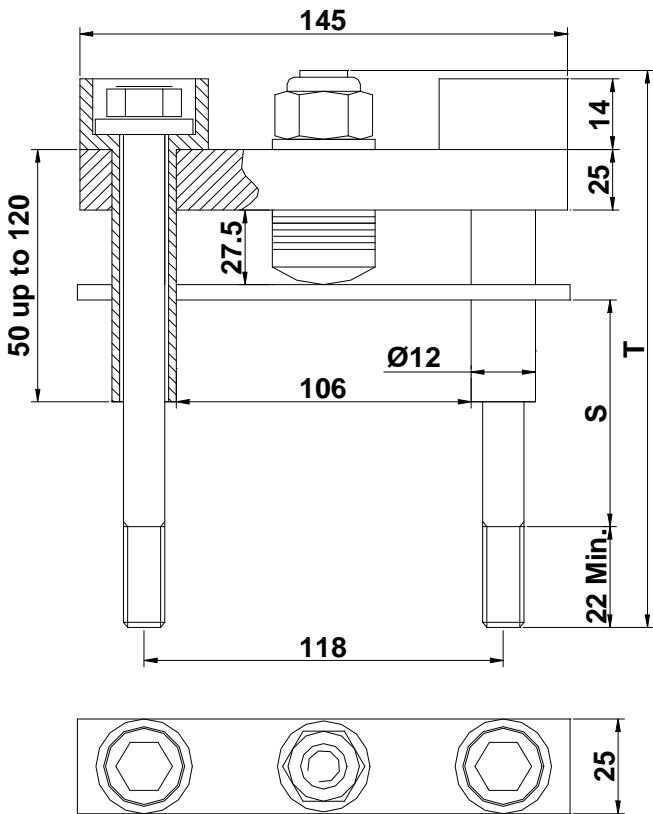
BAR CLAMP OUTLINES



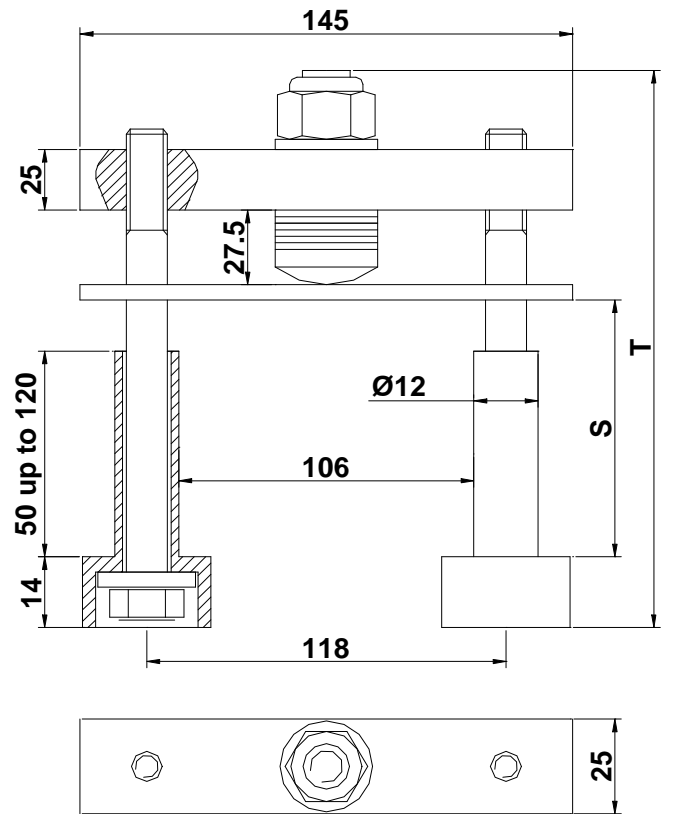
GC118BN...R



GC118BR...R

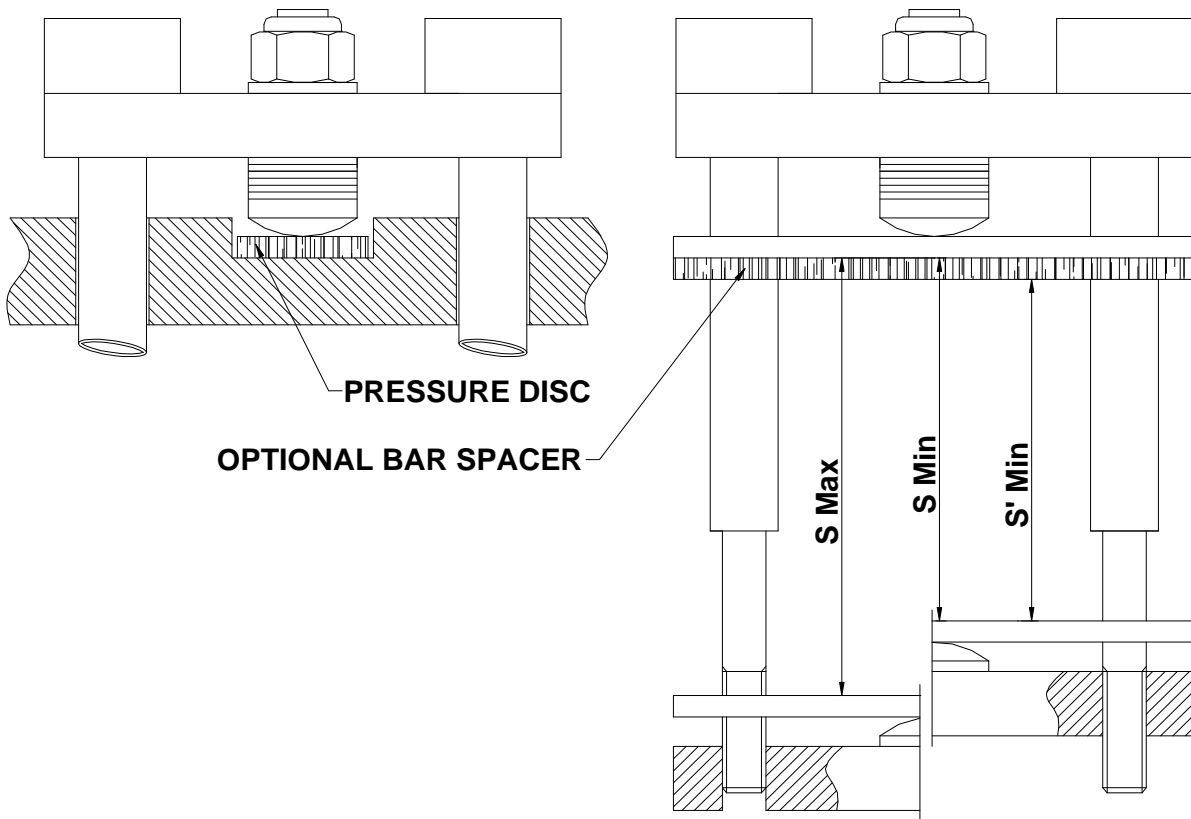


GC118SN...R



GC118SR...R

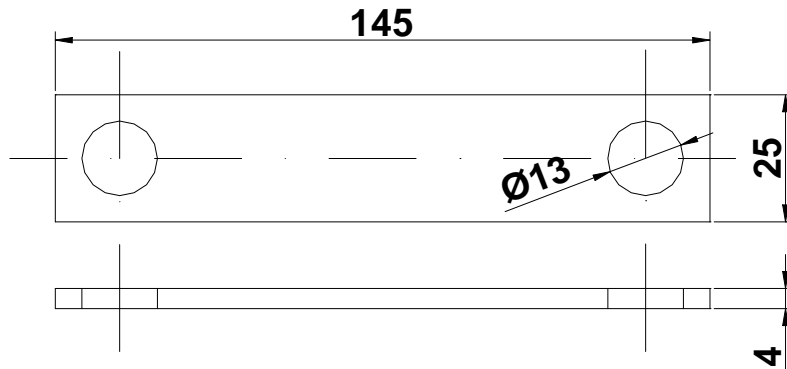
Dimensions in mm - Tolerances according to ISO 2768 MK



**SPECIAL ACCESSORIES**

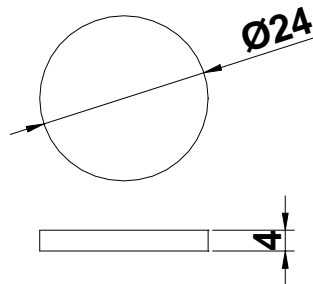
The following special accessories are available on request (see ordering information table)

**Bar spacer**



**Pressure disc**

Useful for grooved heatsink  
Suggested groove diameter 27mm +/- 0.5



Dimensions in mm - Tolerances according to ISO 2768 MK

In the interest of product improvement Green Power Solutions reserves the right to change any specification given in this data sheet without notice.