

Silicon NPN Power Transistors

2SC2591 2SC2592

DESCRIPTION

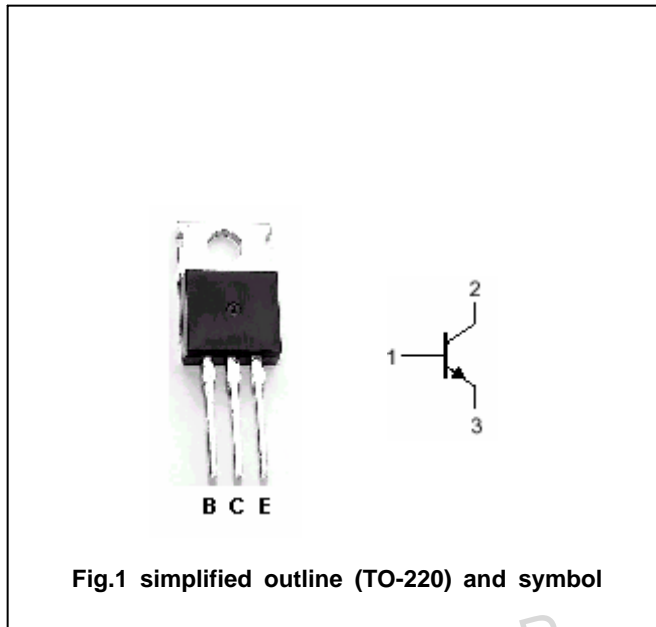
- With TO-220 package
- Complement to type 2SA1111/1112
- Good linearity of h_{FE}
- High V_{CEO}

APPLICATIONS

- For audio frequency, high power amplifiers application

PINNING

PIN	DESCRIPTION
1	Base
2	Collector;connected to mounting base
3	Emitter



Absolute maximum ratings($T_a=25^\circ\text{C}$)

SYMBOL	PARAMETER	CONDITIONS	VALUE	UNIT
V_{CBO}	Collector-base voltage	2SC2591	150	V
		2SC2592	180	
V_{CEO}	Collector-emitter voltage	2SC2591	150	V
		2SC2592	180	
V_{EBO}	Emitter-base voltage	Open collector	5	V
I_C	Collector current		1	A
I_{CM}	Collector current-peak		1.5	A
P_C	Collector power dissipation	$T_C=25$	20	W
T_j	Junction temperature		150	
T_{stg}	Storage temperature		-55~150	

Silicon NPN Power Transistors

2SC2591 2SC2592

CHARACTERISTICS

T_j=25 unless otherwise specified

SYMBOL	PARAMETER	CONDITIONS	MIN	TYP.	MAX	UNIT
V _{(BR)CEO}	Collector-emitter breakdown voltage	2SC2591	150			V
		2SC2592	180			
V _{EBO}	Emitter-base breakdown voltage	I _E =10 μA, I _C =0	5			V
V _{CEsat}	Collector-emitter saturation voltage	I _C =0.5A; I _B =50mA		0.5	2.0	V
V _{BEsat}	Base-emitter saturation voltage	I _C =0.5A; I _B =50mA		1.0	2.0	V
I _{CBO}	Collector cut-off current	V _{CB} =120V; I _E =0			1	μA
I _{EBO}	Emitter cut-off current	V _{EB} =4V; I _C =0			1	μA
h _{FE-1}	DC current gain	I _C =150mA; V _{CE} =10V	90		330	
h _{FE-2}	DC current gain	I _C =500mA; V _{CE} =5V	50			
C _{OB}	Output capacitance	I _E =0; V _{CB} =10V; f=1MHz		20		pF
f _T	Transition frequency	I _C =50mA; V _{CE} =10V		200		MHz

◆ h_{FE-1} Classifications

Q	R	S
90-155	130-220	185-330

Silicon NPN Power Transistors

2SC2591 2SC2592

PACKAGE OUTLINE

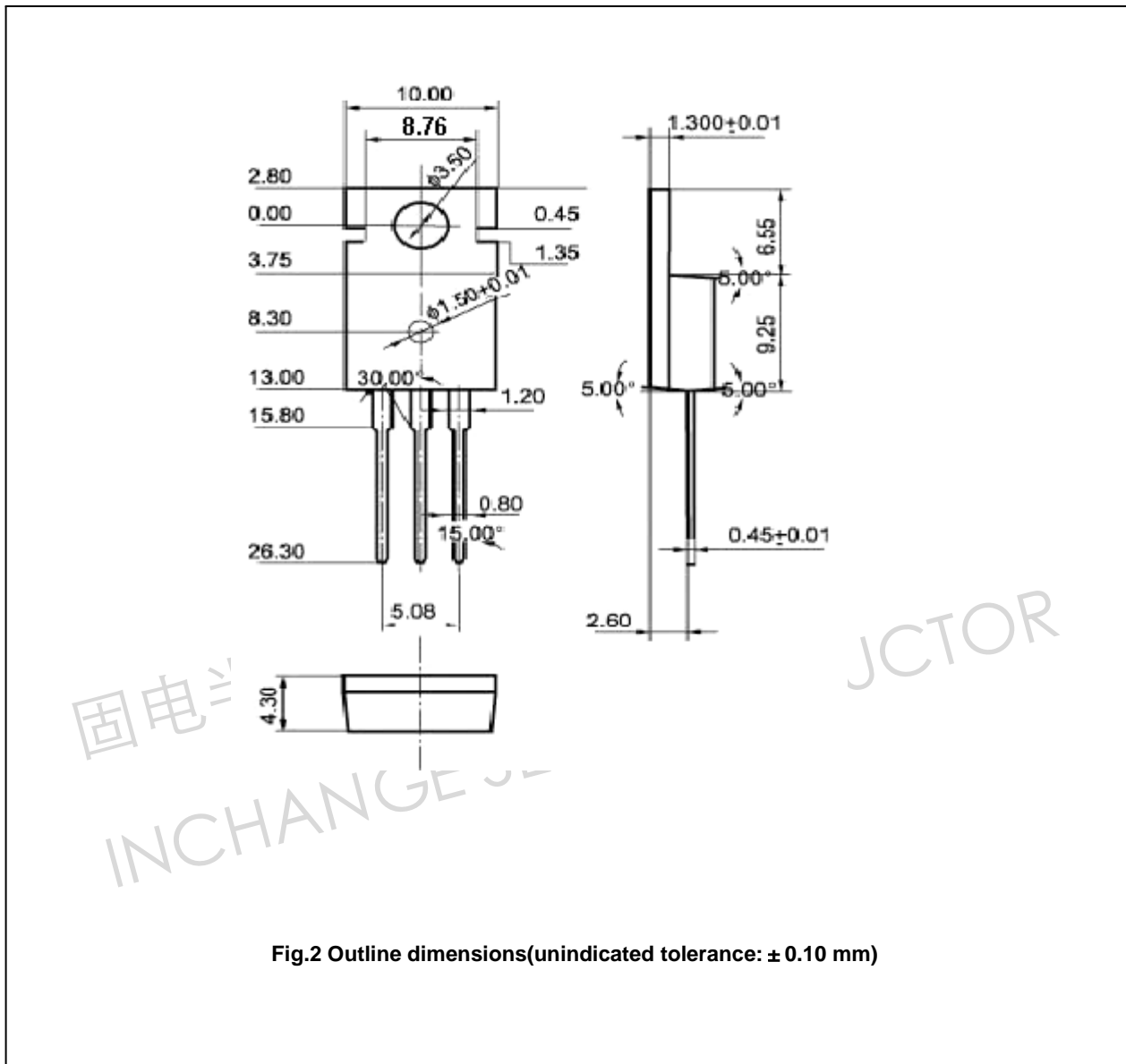


Fig.2 Outline dimensions(unindicated tolerance: ± 0.10 mm)

Silicon NPN Power Transistors

2SC2591 2SC2592

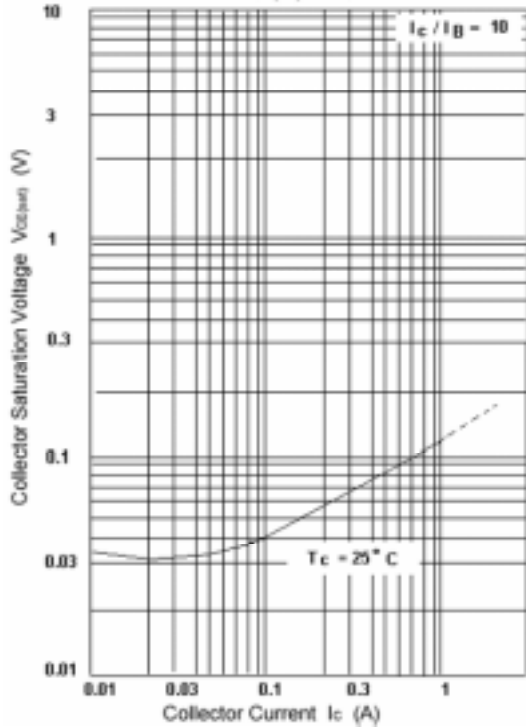


Fig.3 Collector-Emitter Saturation Voltage

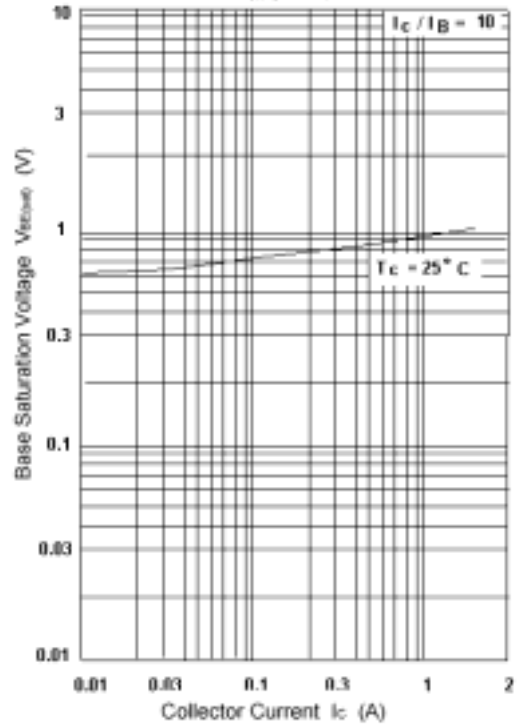


Fig.4 Base-Emitter Saturation Voltage

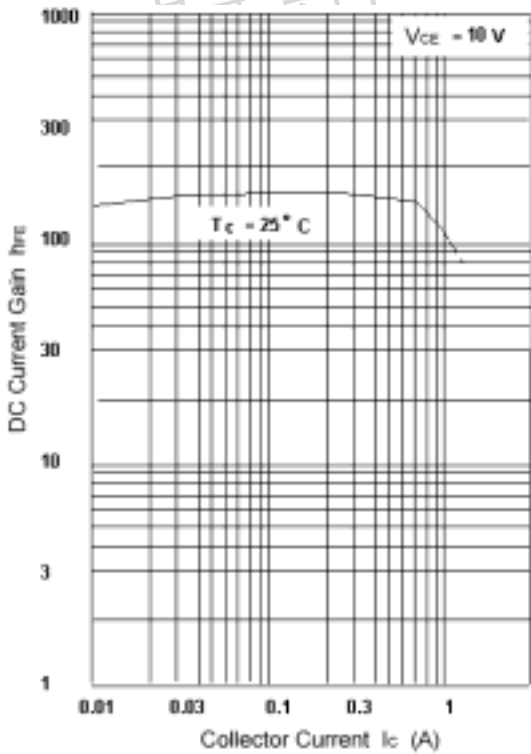


Fig.5 DC current Gain

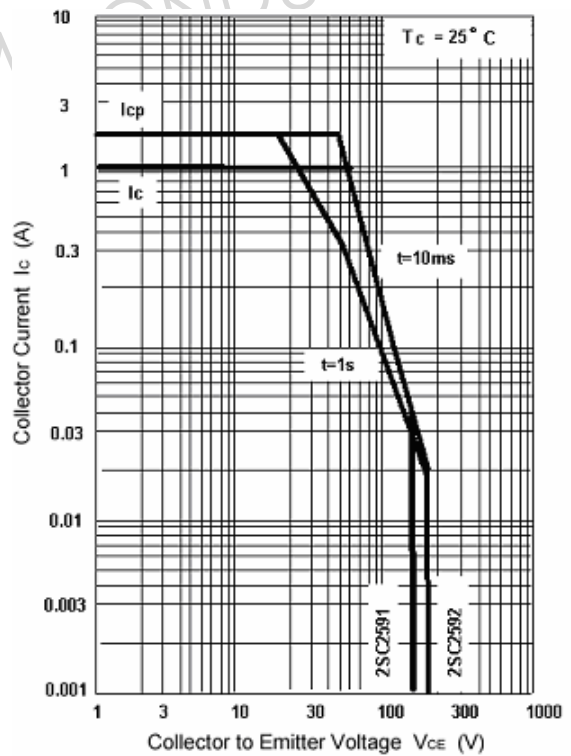


Fig.6 Safe Operating Area