

To all our customers

Regarding the change of names mentioned in the document, such as Mitsubishi Electric and Mitsubishi XX, to Renesas Technology Corp.

The semiconductor operations of Hitachi and Mitsubishi Electric were transferred to Renesas Technology Corporation on April 1st 2003. These operations include microcomputer, logic, analog and discrete devices, and memory chips other than DRAMs (flash memory, SRAMs etc.) Accordingly, although Mitsubishi Electric, Mitsubishi Electric Corporation, Mitsubishi Semiconductors, and other Mitsubishi brand names are mentioned in the document, these names have in fact all been changed to Renesas Technology Corp. Thank you for your understanding. Except for our corporate trademark, logo and corporate statement, no changes whatsoever have been made to the contents of the document, and these changes do not constitute any alteration to the contents of the document itself.

Note : Mitsubishi Electric will continue the business operations of high frequency & optical devices and power devices.

Renesas Technology Corp.
Customer Support Dept.
April 1, 2003

Preliminary

Notice: This is not final specification.
Some parametric limits are subject to change.

M5M5T5672TG – 25,22,20

18874368-BIT(262144-WORD BY 72-BIT) NETWORK SRAM

DESCRIPTION

The M5M5T5672TG is a family of 18M bit synchronous SRAMs organized as 262144-words by 72-bit. It is designed to eliminate dead bus cycles when turning the bus around between reads and writes, or writes and reads. Mitsubishi's SRAMs are fabricated with high performance, low power CMOS technology, providing greater reliability. M5M5T5672TG operates on a single 2.5V power supply and are 2.5V CMOS compatible.

FEATURES

- Fully registered inputs and outputs for pipelined operation
- Fast clock speed: 250, 225, and 200 MHz
- Fast access time: 2.6, 2.8, 3.2 ns
- Single 2.5V –5% and +5% power supply V_{DD}
- Individual byte write (BWA# - BWH#) controls may be tied LOW
- Single Read/Write control pin (W#)
- Snooze mode (ZZ) for power down
- Linear or Interleaved Burst Modes
- JTAG boundary scan support

APPLICATION

High-end networking products that require high bandwidth, such as switches and routers.

PACKAGE

	Bump	Body Size	Bump Pitch
M5M5T5672TG	209(11X19) bump BGA	14mm X 22mm	1mm

PART NAME TABLE

Part Name	Frequency	Access	Cycle	Active Current (max.)	Standby Current (max.)
M5M5T5672TG -25	250MHz	2.6ns	4.0ns	550mA	30mA
M5M5T5672TG -22	225MHz	2.8ns	4.4ns	500mA	30mA
M5M5T5672TG -20	200MHz	3.2ns	5.0ns	450mA	30mA

FUNCTION

Synchronous circuitry allows for precise cycle control triggered by a positive edge clock transition.

Synchronous signals include : all Addresses, all Data Inputs, all Chip Enables (E1#, E2, E3#), Address Advance/Load (ADV), Byte Write Enables (BWA#, BWB#, BWC#, BWD#, BWE#, BWF#, BWG#, BWH#) and Read/Write (W#).

Write operations are controlled by the eight Byte Write Enables (BWA# - BWH#) and Read/Write(W#) inputs. All writes are conducted with on-chip synchronous self-timed write circuitry.

Asynchronous inputs include Output Enable (G#), Clock (CLK) and Snooze Enable (ZZ).

The HIGH input of ZZ pin puts the SRAM in the power-down state.

The Linear Burst order (LBO#) is DC operated pin. LBO# pin will allow the choice of either an interleaved burst, or a linear burst.

All read, write and deselect cycles are initiated by the ADV Low input. Subsequent burst address can be internally generated as controlled by the ADV HIGH input.

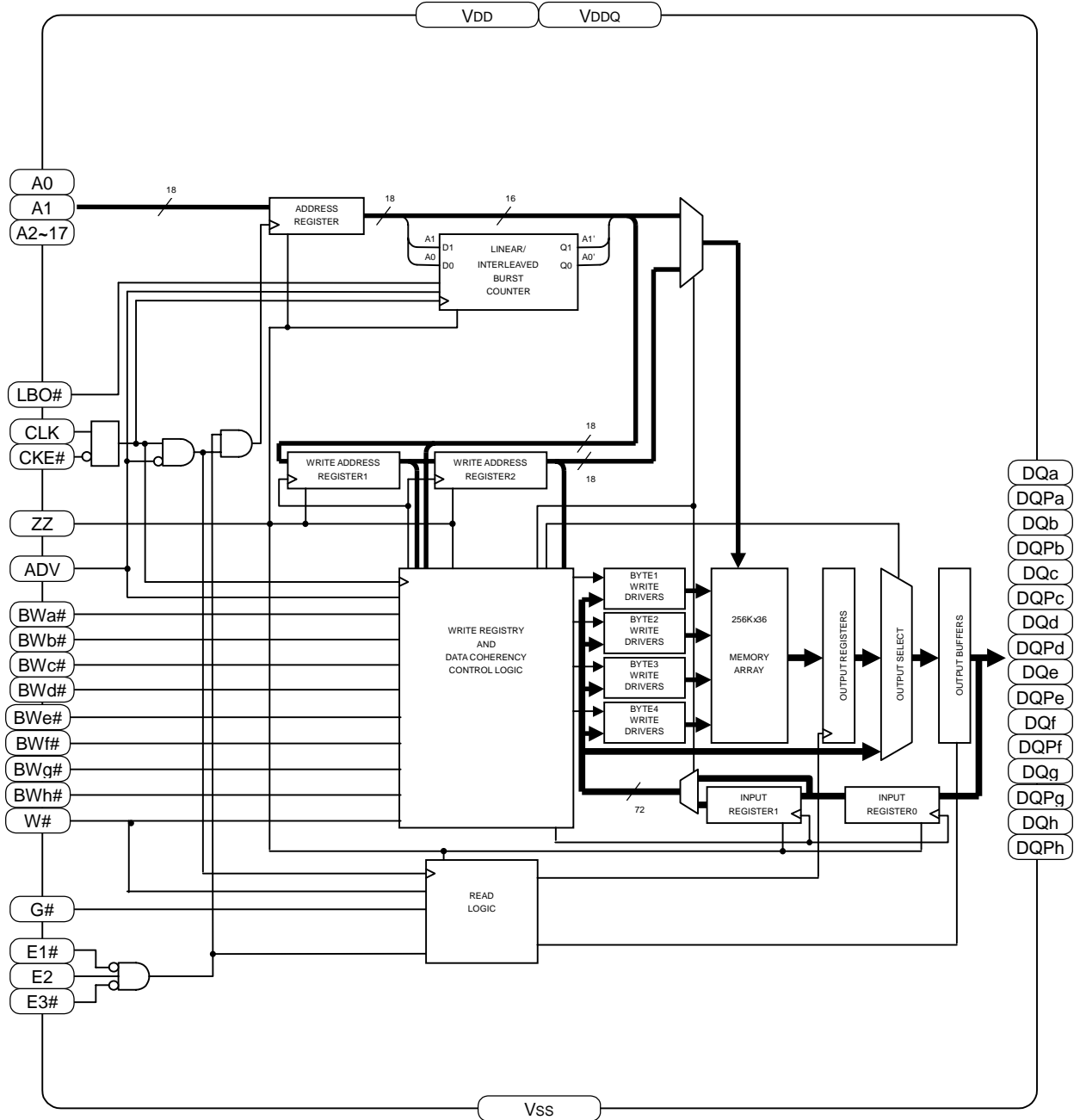
BUMP LAYOUT(TOP VIEW)

209 bump BGA

	1	2	3	4	5	6	7	8	9	10	11
A	DQg	DQg	A6	E2	A7	ADV	A8	E3#	A9	DQb	DQb
B	DQg	DQg	BWc#	BWg#	NC	W#	A17	BWb#	BWf#	DQb	DQb
C	DQg	DQg	BWh#	BWd#	NC	E1#	NC	BWe#	BWa#	DQb	DQb
D	DQg	DQg	Vss	NC	NC	G#	NC	NC	Vss	DQb	DQb
E	DQPg	DQPc	VDDQ	VDDQ	VDD	VDD	VDD	VDDQ	VDDQ	DQPf	DQPb
F	DQc	DQc	Vss	Vss	Vss	NC	Vss	Vss	Vss	DQf	DQf
G	DQc	DQc	VDDQ	VDDQ	VDD	NC	VDD	VDDQ	VDDQ	DQf	DQf
H	DQc	DQc	Vss	Vss	Vss	NC	Vss	Vss	Vss	DQf	DQf
J	DQc	DQc	VDDQ	VDDQ	VDD	MCH	VDD	VDDQ	VDDQ	DQf	DQf
K	NC	NC	CLK	NC	Vss	CKE#	Vss	NC	NC	NC	NC
L	DQh	DQh	VDDQ	VDDQ	VDD	MCH	VDD	VDDQ	VDDQ	DQa	DQa
M	DQh	DQh	Vss	Vss	Vss	MCH	Vss	Vss	Vss	DQa	DQa
N	DQh	DQh	VDDQ	VDDQ	VDD	NC	VDD	VDDQ	VDDQ	DQa	DQa
P	DQh	DQh	Vss	Vss	Vss	ZZ	Vss	Vss	Vss	DQa	DQa
R	DQPd	DQPh	VDDQ	VDDQ	VDD	VDD	VDD	VDDQ	VDDQ	DQPd	DQPe
T	DQd	DQd	Vss	NC	NC	LBO#	NC	NC	Vss	DQe	DQe
U	DQd	DQd	NC	A3	NC	A15	NC	A11	NC	DQe	DQe
V	DQd	DQd	A5	A4	A16	A1	A13	A12	A10	DQe	DQe
W	DQd	DQd	TMS	TDI	A2	A0	A14	TDO	TCK	DQe	DQe

Note1. MCH means "Must Connect High". MCH should be connected to HIGH.

BLOCK DIAGRAM



Note2. The BLOCK DIAGRAM does not include the Boundary Scan logic. See Boundary Scan chapter.
 Note3. The BLOCK DIAGRAM illustrates simplified device operation. See TRUTH TABLE, PIN FUNCTION and timing diagrams for detailed information.

DC OPERATED TRUTH TABLE

Name	Input Status	Operation
LBO#	HIGH or NC	Interleaved Burst Sequence
	LOW	Linear Burst Sequence

Note4. LBO# is DC operated pin.

Note5. NC means No Connection.

Note6. See BURST SEQUENCE TABLE about interleaved and Linear Burst Sequence.

BURST SEQUENCE TABLE

(1) Interleaved Burst Sequence (when LBO# = HIGH or NC)

Operation	A17~A2	A1,A0			
First access, latch external address	A17~A2	0, 0	0, 1	1, 0	1, 1
Second access(first burst address)	latched A17~A2	0, 1	0, 0	1, 1	1, 0
Third access(second burst address)	latched A17~A2	1, 0	1, 1	0, 0	0, 1
Fourth access(third burst address)	latched A17~A2	1, 1	1, 0	0, 1	0, 0

(2) Linear Burst Sequence (when LBO# = LOW)

Operation	A17~A2	A1,A0			
First access, latch external address	A17~A2	0, 0	0, 1	1, 0	1, 1
Second access(first burst address)	latched A17~A2	0, 1	1, 0	1, 1	0, 0
Third access(second burst address)	latched A17~A2	1, 0	1, 1	0, 0	0, 1
Fourth access(third burst address)	latched A17~A2	1, 1	0, 0	0, 1	1, 0

Note7. The burst sequence wraps around to its initial state upon completion.

TRUTH TABLE

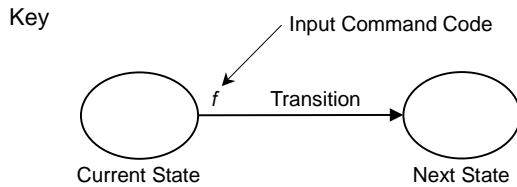
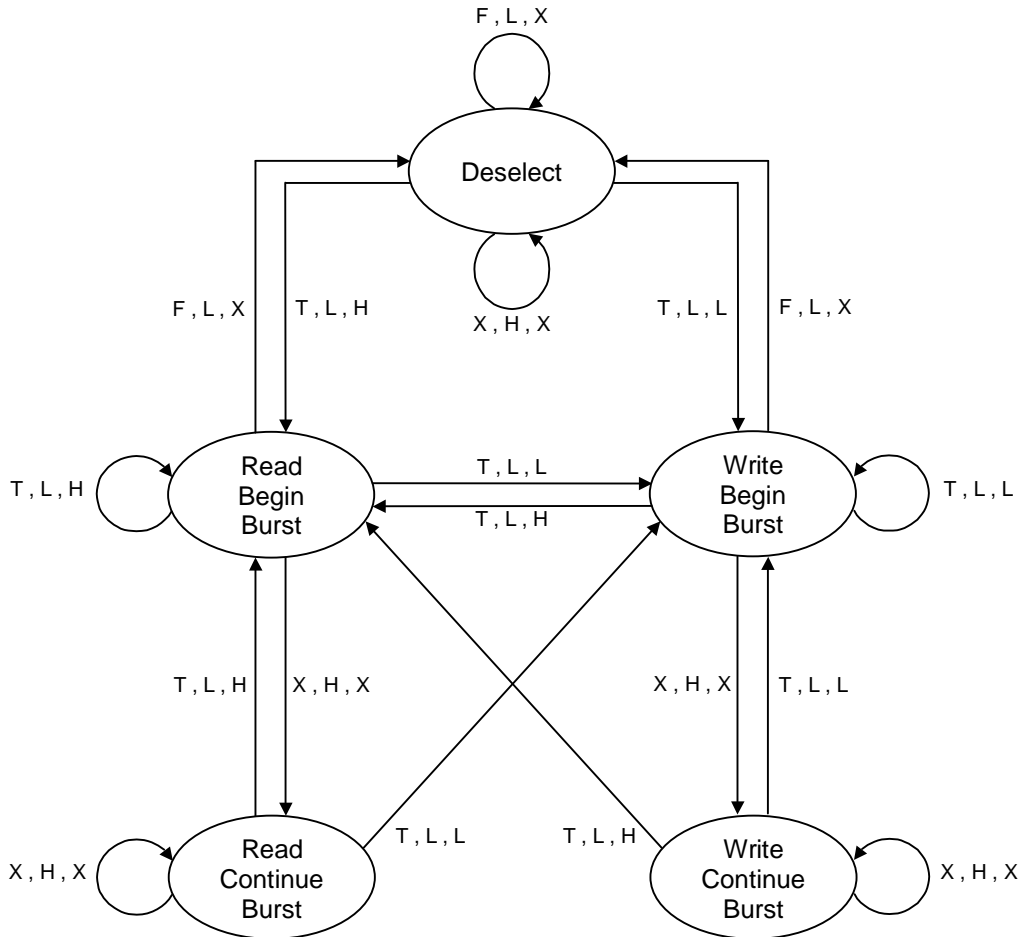
E1#	E2	E3#	ADV	W#	BWx#	G#	CKE#	ZZ#	CLK	Address used	Operation
H	X	X	L	X	X	X	L	L	L->H	None	Deselect Cycle
X	L	X	L	X	X	X	L	L	L->H	None	Deselect Cycle
X	X	H	L	X	X	X	L	L	L->H	None	Deselect Cycle
X	X	X	H	X	X	X	L	L	L->H	None	Continue Deselect Cycle
L	H	L	L	H	X	L	L	L	L->H	External	Read Cycle, Begin Burst
X	X	X	H	X	X	L	L	L	L->H	Next	Read Cycle, Continue Burst
L	H	L	L	H	X	H	L	L	L->H	External	NOP/Dummy Read, Begin Burst
X	X	X	H	X	X	H	L	L	L->H	Next	Dummy Read, Continue Burst
L	H	L	L	L	L	X	L	L	L->H	External	Write Cycle, Begin Burst
X	X	X	H	X	L	X	L	L	L->H	Next	Write Cycle, Continue Burst
L	H	L	L	L	H	X	L	L	L->H	None	NOP/Write Abort, Begin Burst
X	X	X	H	X	H	X	L	L	L->H	Next	Write Abort, Continue Burst
X	X	X	X	X	X	X	H	L	L->H	Current	Ignore Clock edge, Stall
X	X	X	X	X	X	X	X	H	X	None	Snooze Mode

Note8. "H" = input VIH; "L" = input VIL; "X" = input VIH or VIL.

Note9. BWx#=H means all Synchronous Byte Write Enables (BWa#,BWb#,BWc#,BWd#) are HIGH. BWx#=L means one or more Synchronous Byte Write Enables are LOW.

Note10. All inputs except OE# and ZZ must meet setup and hold times around the rising edge (LOW to HIGH) of CLK.

STATE DIAGRAM



Note11. The notation "x , x , x" controlling the state transitions above indicate the state of inputs E, ADV and W# respectively.
 Note12. If (E1# = L and E2 = H and E3# = L) then E="T" else E="F".
 Note13. "H" = input VIH; "L" = input VIL; "X" = input VIH or VIL; "T" = input "true"; "F" = input "false".

WRITE TRUTH TABLE

W#	BWa#	BWb#	BWc#	BWd#	BWe#	BWf#	BWg#	BWh#	Function
H	X	X	X	X	X	X	X	X	Read
L	L	H	H	H	H	H	H	H	Write Byte "a"
L	H	L	H	H	H	H	H	H	Write Byte "b"
L	H	H	L	H	H	H	H	H	Write Byte "c"
L	H	H	H	L	H	H	H	H	Write Byte "d"
L	H	H	H	H	L	H	H	H	Write Byte "e"
L	H	H	H	H	H	L	H	H	Write Byte "f"
L	H	H	H	H	H	H	L	H	Write Byte "g"
L	H	H	H	H	H	H	H	L	Write Byte "h"
L	L	L	L	L	L	L	L	L	Write All Bytes
L	H	H	H	H	H	H	H	H	Write Abort / NOP

Note14. "H" = input VIH; "L" = input VIL; "X" = input VIH or VIL.

Note15. All inputs must meet setup and hold times around the rising edge (LOW to HIGH) of CLK.

ABSOLUTE MAXIMUM RATINGS

Symbol	Parameter	Conditions	Ratings	Unit
V _{DD}	Power Supply Voltage	With respect to V _{SS}	-1.0*~3.6	V
V _{DDQ}	I/O Buffer Power Supply Voltage		-1.0*~3.6	V
V _i	Input Voltage		-1.0~V _{DDQ} +1.0 **	V
V _o	Output Voltage		-1.0~V _{DDQ} +1.0 **	V
PD	Maximum Power Dissipation (V _{DD})		1050	mW
T _{OPR}	Operating Temperature		0~70	°C
T _{STG(bias)}	Storage Temperature(bias)		-10~85	°C
T _{STG}	Storage Temperature		-55~125	°C

Note16. * This is -1.0V~3.6V when pulse width≤2ns, and -0.5V in case of DC.

** This is -1.0V~V_{DDQ}+1.0V when pulse width≤2ns, and -0.5V~V_{DDQ}+0.5V in case of DC.

DC ELECTRICAL CHARACTERISTICS

Symbol	Parameter	Condition	Limits		Unit
			Min	Max	
VDD	Power Supply Voltage		2.375	2.625	V
VDDQ	I/O Buffer Power Supply Voltage		2.375	2.625	V
V _{IH}	High-level Input Voltage		1.7	VDDQ+0.3*	V
V _{IL}	Low-level Input Voltage		-0.3*	0.7	V
V _{OH}	High-level Output Voltage	I _{OH} = -2.0mA	VDDQ-0.4		V
V _{OL}	Low-level Output Voltage	I _{OL} = 2.0mA		0.4	V
I _{LI}	Input Leakage Current except ZZ and LBO#	V _I = 0V ~ VDDQ		10	μA
	Input Leakage Current of LBO#	V _I = 0V ~ VDDQ		100	
	Input Leakage Current of ZZ	V _I = 0V ~ VDDQ		100	
I _{LO}	Output Leakage Current	V _{I/O} = 0V ~ VDDQ		10	μA
I _{CC1}	Power Supply Current : Operating	Device selected; Output Open V _I ≤ V _{IL} or V _I ≥ V _{IH} ZZ ≤ V _{IL}	4.0ns cycle(250MHz)	550	mA
			4.4ns cycle(225MHz)	500	
			5.0ns cycle(200MHz)	450	
I _{CC2}	Power Supply Current : Deselected	Device deselected V _I ≤ V _{IL} or V _I ≥ V _{IH} ZZ ≤ V _{IL}	4.0ns cycle(250MHz)	200	mA
			4.4ns cycle(225MHz)	190	
			5.0ns cycle(200MHz)	180	
I _{CC3}	CMOS Standby Current (CLK stopped standby mode)	Device deselected; Output Open V _I ≤ V _{SS} +0.2V or V _I ≥ VDDQ-0.2V CLK frequency=0Hz, All inputs static		30	mA
I _{CC4}	Snooze Mode Standby Current	Snooze mode ZZ ≥ VDDQ-0.2V, LBO# ≥ VDD-0.2V		30	mA
I _{CC5}	Stall Current	Device selected; Output Open CKE# ≥ V _{IH} V _I ≤ V _{SS} +0.2V or V _I ≥ VDDQ-0.2V	4.0ns cycle(250MHz)	180	mA
			4.4ns cycle(225MHz)	160	
			5.0ns cycle(200MHz)	140	

Note17.*V_{ILmin} is -1.0V and V_{IHmax} is VDDQ+1.0V in case of AC(Pulse width≤2ns).

Note18."Device Deselected" means device is in power-down mode as defined in the truth table.

CAPACITANCE

Symbol	Parameter	Condition	Limits			Unit
			Min	Typ	Max	
C _i	Input Capacitance	V _I =GND, V _I =25mVrms, f=1MHz			6	pF
C _o	Input / Output (DQ) Capacitance	V _o =GND, V _o =25mVrms, f=1MHz			8	pF

Note19. This parameter is sampled.

THERMAL RESISTANCE

4-Layer PC board mounted (70x70x1.6mmT)

Symbol	Parameter	Condition	Limits			Unit
			Min	Typ	Max	
θJA	Thermal resistance Junction Ambient	Air velocity=0m/sec		25.56		°C/W
		Air velocity=2m/sec		17.63		°C/W
θJC	Thermal resistance Junction to Case			6.12		°C/W

AC ELECTRICAL CHARACTERISTICS (Ta=0~70°C, VDD=2.375~2.625V, unless otherwise noted)

(1) MEASUREMENT CONDITION

- Input pulse levels $V_{IH}=V_{DDQ}$, $V_{IL}=0V$
- Input rise and fall times faster than or equal to 1V/ns
- Input timing reference levels $V_{IH}=V_{IL}=V_{DDQ} / 2$
- Output reference levels $V_{IH}=V_{IL}=V_{DDQ} / 2$
- Output load Fig.1

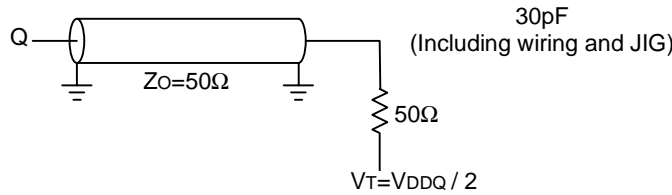


Fig.1 Output load

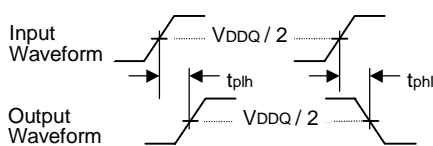


Fig.2 Tdly measurement

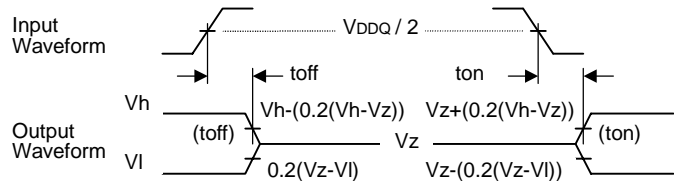


Fig.3 Tri-State measurement

- Note20. Valid Delay Measurement is made from the $V_{DDQ}/2$ on the input waveform to the $V_{DDQ}/2$ on the output waveform. Input waveform should have a slew rate of faster than or equal to 1V/ns.
- Note21. Tri-state toff measurement is made from the $V_{DDQ}/2$ on the input waveform to the output waveform moving 20% from its initial to final Value $V_{DDQ}/2$.
Note: the initial value is not V_{OL} or V_{OH} as specified in DC ELECTRICAL CHARACTERISTICS table.
- Note22. Tri-state ton measurement is made from the $V_{DDQ}/2$ on the input waveform to the output waveform moving 20% from its initial Value $V_{DDQ}/2$ to its final Value.
Note: the final value is not V_{OL} or V_{OH} as specified in DC ELECTRICAL CHARACTERISTICS table.
- Note23. Clocks, Data, Address and control signals will be tested with a minimum input slew rate of faster than or equal to 1V/ns.

(2)TIMING CHARACTERISTICS

Symbol	Parameter	Limits						Unit
		250MHz		225MHz		200MHz		
		-25		-22		-20		
		Min	Max	Min	Max	Min	Max	
Clock								
tKHKH	Clock Cycle Time	4.0		4.4		5.0		ns
tKHKL	Clock HIGH Time	1.5		1.6		1.8		ns
tKCLKH	Clock LOW Time	1.5		1.6		1.8		ns
Output times								
tKHQV	Clock HIGH to Output Valid		2.6		2.8		3.2	ns
tKHQX	Clock HIGH to Output Invalid	1.5		1.5		1.5		ns
tKHQX1	Clock HIGH to Output in Low-Z	1.5		1.5		1.5		ns
tKHQZ	Clock HIGH to Output in High-Z	1.5	2.6	1.5	2.8	1.5	3.2	ns
tGLQV	G# to output valid		2.6		2.8		3.2	ns
tGLQX1	G# to output in Low-Z	0.0		0.0		0.0		ns
tGHQZ	G# to output in High-Z		2.6		2.8		3.2	ns
Setup Times								
tAVKH	Address Valid to Clock HIGH	0.8		1.0		1.2		ns
tadvVKH	ADV Valid to Clock HIGH	0.8		1.0		1.2		ns
tWVKH	Write Valid to Clock HIGH	0.8		1.0		1.2		ns
tBxVKH	Byte Write Valid to Clock HIGH (BWA#~BWh#)	0.8		1.0		1.2		ns
tEVKH	Enable Valid to Clock HIGH (E1#,E2,E3#)	0.8		1.0		1.2		ns
tDVKH	Data In Valid Clock HIGH	0.8		1.0		1.2		ns
Hold Times								
tKHAX	Clock HIGH to Address don't care	0.5		0.5		0.5		ns
tKHadvX	Clock HIGH to ADV don't care	0.5		0.5		0.5		ns
tKHwx	Clock HIGH to Write don't care	0.5		0.5		0.5		ns
tKHBxX	Clock HIGH to Byte Write don't care (BWA#~BWh#)	0.5		0.5		0.5		ns
tKHEx	Clock HIGH to Enable don't care (E1#,E2,E3#)	0.5		0.5		0.5		ns
tKHDX	Clock HIGH to Data In don't care	0.5		0.5		0.5		ns
ZZ								
tZZS	ZZ standby		2*tKHKH		2*tKHKH		2*tKHKH	ns
tZZREC	ZZ recovery		2*tKHKH		2*tKHKH		2*tKHKH	ns

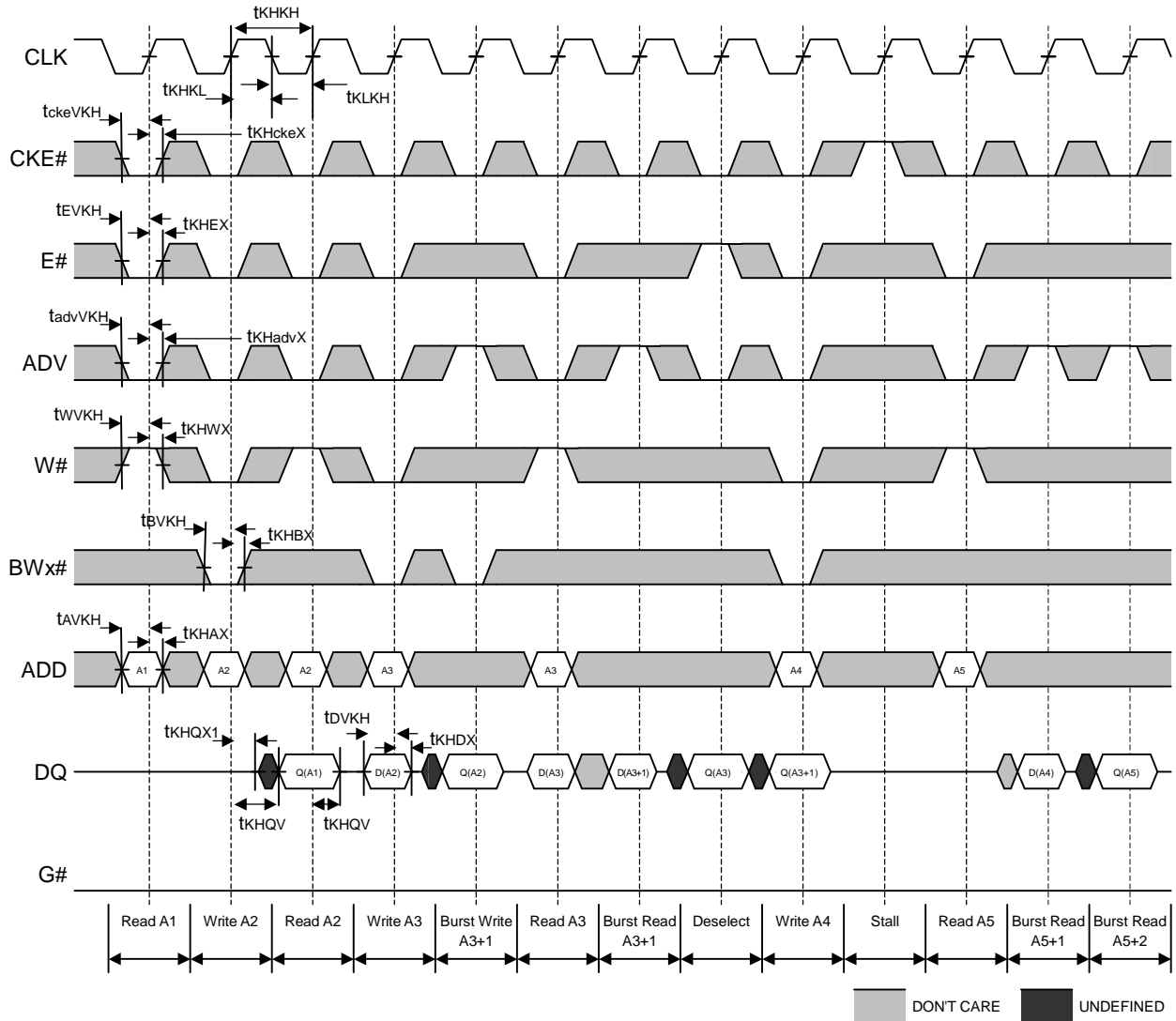
Note24. All parameter except tZZS, tZZREC in this table are measured on condition that ZZ=LOW fix.

Note25. Test conditions is specified with the output loading shown in Fig.1 unless otherwise noted.

Note26. tKHQX1, tKHQZ, tGLQX1, tGHQZ are sampled.

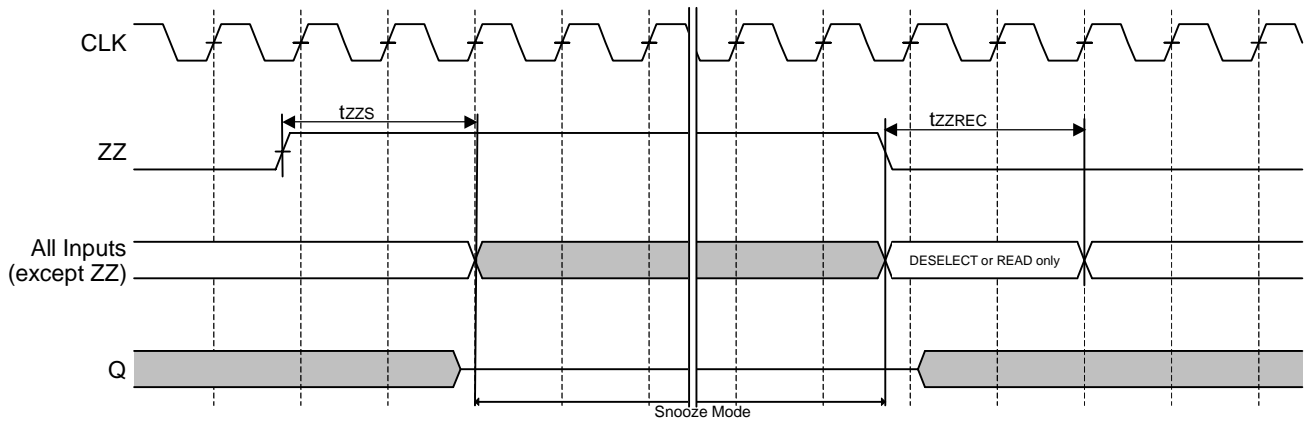
Note27. LBO# is static and must not change during normal operation.

(5)READ/WRITE TIMING



Note34. Q(An) refers to output from address An. Q(An+1) refers to output from the next internal burst address following An.
 Note35. E# represents three signals. When E# is LOW, it represents E1# is LOW, E2 is HIGH and E3# is LOW.
 Note36. ZZ is fixed LOW.

(6)SNOOZE MODE TIMING



JTAG PORT OPERATION

Overview

The JTAG Port on this SRAM operates in a manner consistent with IEEE Standard 1149.1-1990, a serial boundary scan interface standard (commonly referred to as JTAG), but does not implement all of the function required for 1149.1 compliance. Unlike JTAG implementations that have been common among SRAM vendors for the last several years, this implementation does offer a form of EXTEST, known as Clock Assisted EXTEST, reducing or eliminating the "hand coding" that has been required to overcome the test program compiler errors caused by previous non-compliant implementation. The JTAG Port interfaces with conventional CMOS logic level signaling.

Disabling the JTAG port

It is possible to use this device without utilizing the JTAG port. The port is reset at power-up and will remain inactive unless clocked. To assure normal operation of the SRAM with the JTAG Port unused, the TCK, TDI and TMS pins may be left floating or tied to High. The TDO pin should be left unconnected.

JTAG Pin Description

Pin	Name	Function
TCK	Test Clock	The TCK input is clock for all TAP events. All inputs are captured on the rising edge of TCK and the Test Data Out (TDO) propagates from the falling edge of TCK.
TMS	Test Mode Select	The TMS input is sampled on the rising edge of TCK. This is the command input for the TAP Controller state machine. An undriven TMS input will produce the same result as a logic one input level.
TDI	Test Data In	The TDI input is sampled on the rising edge of TCK. This is the input side of the serial registers placed between the TDI and TDO pins. The register placed between the TDI and TDO pins is determined by the state of the TAP Controller state machine and the instruction that is currently loaded in the TAP Instruction Register (refer to the TAP Controller State Diagram). An undriven TDI Input will produce the same result as a logic one input level.
TDO	Test Data Out	The TDO output is active depending on the state of the TAP Controller state machine. Output changes in response to the falling edge of TCK. This is the output side of the serial registers placed between the TDI and TDO pins.

Note:

This device does not have a TRST (TAP Reset) pin. TRST is optional in IEEE 1149.1. The Test-Logic-Reset state is entered while TMS is held high for five rising edges of TCK. The TAP Controller is also reset automatically at power-up.

JTAG Port Registers

Overview

The various JTAG registers, referred to as Test Access Port or TAP Registers, are selected (one at a time) via the sequence of 1s and 0s applied to TMS as TCK is strobed. Each of TAP Registers are serial shift registers that capture serial input data on the rising edge of TCK and push serial data out on the next falling edge of TCK. When a register is selected, it is placed between the TDI and TDO pins.

Instruction Register

The Instruction Register holds the instructions that are executed by the TAP Controller when it is moved into the Run-Test/Idle, or the various data register states. Instructions are 3 bits long. The Instruction Register can be loaded when it is placed between the TDI and TDO pins. The Instruction Register is automatically preloaded with the IDCODE instruction at power-up or whenever the controller is placed in the Test-Logic-Reset state.

Bypass Register

The Bypass register is a single-bit register that can be placed between the TDI and TDO pins. It allows serial test data to be passed through the SRAM's JTAG Port to another device in the scan chain with as little delay as possible.

Boundary Scan Register

The Boundary Scan Register is a collection of flip flops that can be preset by the logic level found on the SRAM's input or I/O pins. The flip flops are then daisy chained together so the levels found can be shifted serially out of the JTAG Port's TDO pins. The Boundary Scan Register also includes a number of place holder flip flops (always set to a logic 1). The relationship between the device pins and the bits in the Boundary Scan Register is described in the Scan Order Table following. The Boundary Scan Register, under the control of the TAP Controller, is loaded with the contents of the SRAM's I/O ring when the controller is in the Capture-RD state and then is placed between the TDI and TDO pins when the controller is moved to the Shift-DR state. SAMPLE-Z, SAMPLE/PRELOAD and EXTEST instruction can be used to activate the Boundary Scan Register.

Identification (ID) Register

The ID register is a 32-bit register that is loaded with a device and vendor specific 32-bit code when the controller is put in the Capture-DR state with the IDCODE Instruction loaded in the Instruction Register. The code is loaded from 32-bit on-chip ROM. It describes various attributes of the SRAM (see page 25). The register is then placed between the TDI and TDO pins when the controller is moved into the Shift-DR state. Bit 0 in the register is the LSB and the first to reach the TDO pin when shifting begins.

TAP Controller Instruction Set

Overview

There are two classes of instructions defined in the Standard 1149.1-1990; standard (Public) instructions, and device specific (Private) instructions. Some Public instructions are mandatory for 1149.1 compliance. Optional Public instructions must be implemented in prescribed ways. Although the TAP Controller in this device follows the 1149.1 conventions, it is not 1149.1-compliant because one of the mandatory instructions, EXTEST, is uniquely implemented. The TAP on this device may be used to monitor all input and I/O pads. This device will not perform INTEST but can perform the preload portion of the SAMPLE/PRELOAD command.

When the TAP controller is placed in the Capture-IR state, the two least significant bits of the instruction register are loaded with 01. When the TAP controller is moved to the Shift-IR state, the Instruction Register is placed between the TDI and TDO pins. In this state the desired instruction is serially loaded through the TDI input (while the previous contents are shifted out at the TDO output). For all instructions, the TAP executes newly loaded instructions only when the controller is moved to the Update-IR state. The TAP Instruction Set for this device is listed in the following table.

Instruction Descriptions

BYPASS

When the BYPASS instruction is loaded in the Instruction Register, the Bypass Register is placed between the TDI and TDO pins. This occurs when the TAP Controller is moved to the Shift-DR state. This allows the board level scan path to be shortened to facilitate testing of other devices in the scan path.

SAMPLE/PRELOAD

SAMPLE/PRELOAD is a Standard 1149.1 mandatory public instruction. When the SAMPLE/PRELOAD instruction is loaded in the Instruction Register, moving the TAP Controller into the Capture-DR state loads the data in the SRAM's input and I/O buffers into the Boundary Scan Register. Some Boundary Scan Register locations are not associated with an input or I/O pin, and are loaded with the default state identified in the BSDL file. Because the SRAM clock is independent from the TAP Clock (TCK) it is possible for the TAP to attempt to capture the I/O ring contents while the input buffers are in transition (i.e. in a metastable state). Although allowing the TAP to sample metastable inputs will not harm the device, repeatable results cannot be expected. SRAM input signals must be stabilized for long enough to meet the TAP's input data capture set-up plus hold time (t_{TS} plus t_{TH}). The SRAM's clock inputs need not be paused for any other TAP operation except capturing the I/O ring contents into the Boundary Scan Register. Moving the controller to the Shift-DR state then places the Boundary Scan Register between the TDI and TDO pins.

EXTEST

EXTEST is an IEEE 1149.1 mandatory public instruction. It is to be executed whenever the Instruction Register is loaded with all logic 0s. EXTEST is not implemented in the TAP Controller, and therefore this device is not compliant to the 1149.1 Standard. When the EXTEST instruction is loaded into the Instruction Register, the device responds as if the SAMPLE/PRELOAD instruction has been loaded. There is one difference between the two instructions. Unlike the SAMPLE/PRELOAD instruction, EXTEST place the SRAM outputs in a High-Z state.

IDCODE

The IDCODE instruction cause the ID ROM to be loaded into the ID register when the controller is in the Capture-DR state and places the ID Register between the TDI and TDO pins in the Shift-DR state. The IDCODE instruction is the default instruction loaded in at power-up and any time the controller is placed in the Test-Logic-Reset state.

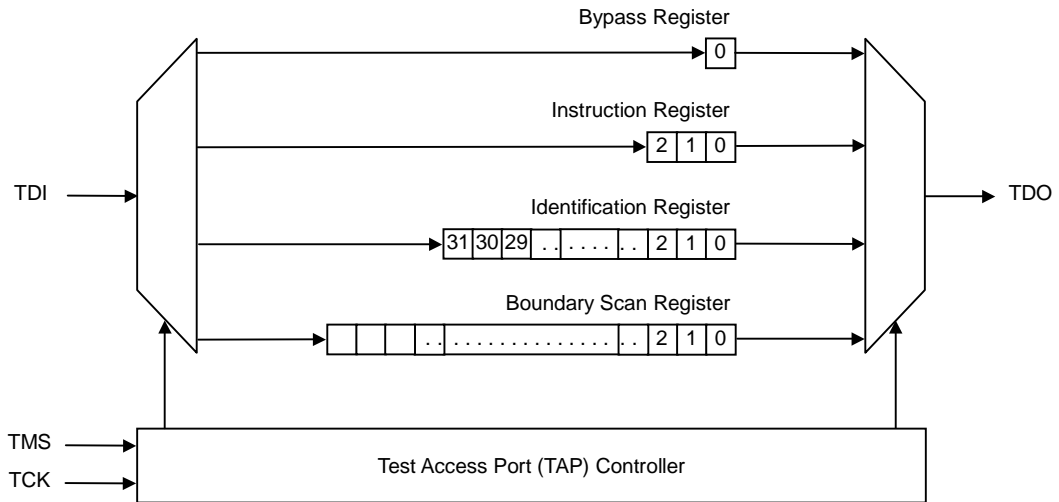
SAMPLE-Z

If the SAMPLE-Z instruction is loaded in the Instruction Register, all SRAM outputs are forced to an inactive drive state (High-Z) and the Boundary Scan Register is placed between the TDI and TDO pins when the TAP Controller is moved to the Shift-DR state.

RFU

These instructions are reserved for future use. Do not use these instructions.

JTAG TAP BLOCK DIAGRAM

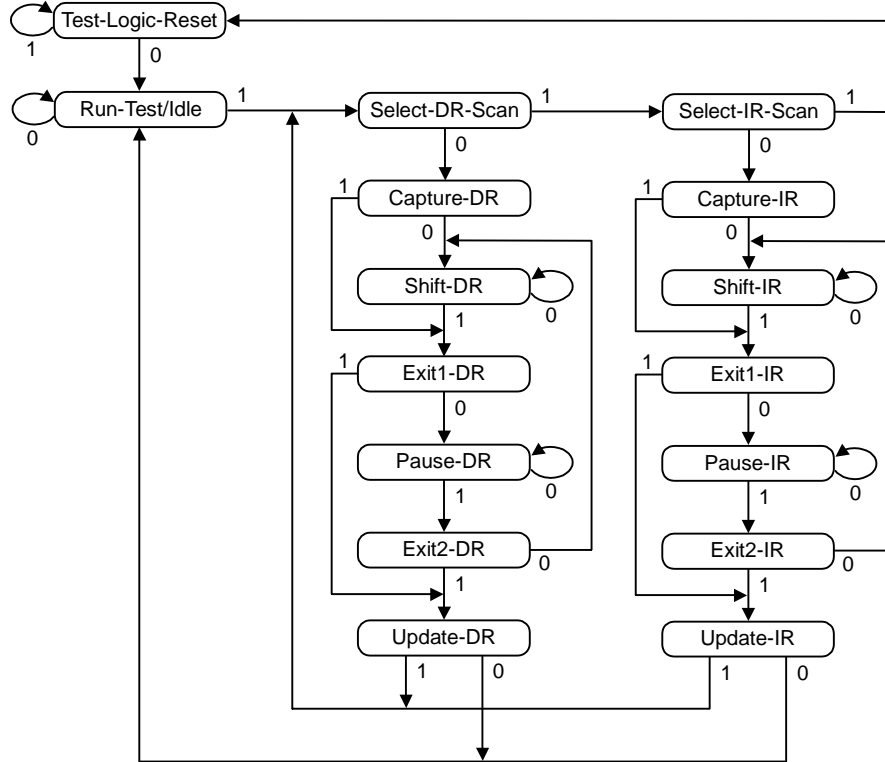


MITSUBISHI LSIs
M5M5T5672TG – 25,22,20
18874368-BIT(262144-WORD BY 72-BIT) NETWORK SRAM

BOUNDARY SCAN ORDER

Bit	Bump	Pin Name	Bit	Bump	Pin Name	Bit	Bump	Pin Name
0	5V	A16	40	11B	DQb	80	1H	DQc
1	6U	A15	41	11A	DQb	81	2H	DQc
2	8U	A11	42	10C	DQb	82	1J	DQc
3	7V	A13	43	10B	DQb	83	2J	DQc
4	7W	A14	44	10A	DQb	84	6L	MCH
5	8V	A12	45	9A	A9	85	6M	MCH
6	9V	A10	46	7A	A8	86	2L	DQh
7	10W	DQe	47	7B	A17	87	1L	DQh
8	10V	DQe	48	8C	BWe#	88	2M	DQh
9	10U	DQe	49	9C	BWa#	89	1M	DQh
10	11W	DQe	50	9B	BWf#	90	2N	DQh
11	11V	DQe	51	8B	BWb#	91	1N	DQh
12	11U	DQe	52	6A	ADV	92	2P	DQh
13	11T	DQe	53	6D	G#	93	1P	DQh
14	10T	DQe	54	6K	CKE#	94	2R	DQPh
15	11R	DQPe	55	6B	W#	95	1R	DQPd
16	10R	DQPa	56	3K	CLK	96	2T	DQd
17	11P	DQa	57	8A	E3#	97	1T	DQd
18	10P	DQa	58	4B	BWg#	98	1U	DQd
19	11N	DQa	59	3B	BWc#	99	1V	DQd
20	10N	DQa	60	3C	BWh#	100	1W	DQd
21	11M	DQa	61	4C	BWd#	101	2U	DQd
22	10M	DQa	62	4A	E2	102	2V	DQd
23	11L	DQa	63	6C	E1#	103	2W	DQd
24	10L	DQa	64	5A	A7	104	6T	LBO#
25	6P	ZZ	65	3A	A6	105	3V	A5
26	6J	MCH	66	2A	DQg	106	4V	A4
27	10J	DQf	67	2B	DQg	107	4U	A3
28	11J	DQf	68	2C	DQg	108	5W	A2
29	10H	DQf	69	1A	DQg	109	6V	A1
30	11H	DQf	70	1B	DQg	110	6W	A0
31	10G	DQf	71	1C	DQg			
32	11G	DQf	72	1D	DQg			
33	10F	DQf	73	2D	DQg			
34	10E	DQPf	74	1E	DQPg			
35	11F	DQf	75	1F	DQc			
36	11E	DQPb	76	2E	DQPc			
37	10D	DQb	77	2F	DQc			
38	11D	DQb	78	1G	DQc			
39	11C	DQb	79	2G	DQc			

JTAG TAP CONTROLLER STATE DIAGRAM



TAP CONTROLLER DC ELECTRICAL CHARACTERISTICS (Ta=0~70°C, VDD=1.70~1.95V, unless otherwise noted)

Symbol	Parameter	Condition	Limits		Unit
			Min	Max	
VIHT	Test Port Input High Voltage		0.65*VDDQ	VDDQ+0.3 **	V
VILT	Test Port Input Low Voltage		-0.3 **	0.35*VDDQ	V
VOHT	Test Port Output High Voltage	IOH=-100µA	VDDQ-0.1	-	V
VOLT	Test Port Output Low Voltage	IOL=+100µA	-	0.1	V
IINT	TMS, TCK and TDI Input Leakage Current		-10	10	µA
IOLT	TDO Output Leakage Current	Output Disable, VOUT=0V~VDDQ	-10	10	µA

Note37. **Input Undershoot/Overshoot voltage must be $-1.0V < V_i < V_{DDQ} + 1V$ (max. 3.6V) with a pulse width not to exceed 20% tTCK.

TAP CONTROLLER AC ELECTRICAL CHARACTERISTICS ($T_a=0\sim 70^\circ\text{C}$, $V_{DD}=2.375\sim 2.625\text{V}$, unless otherwise noted)

(1) MEASUREMENT CONDITION

- Input pulse levels $V_{IH}=V_{DDQ}$, $V_{IL}=0\text{V}$
- Input rise and fall times faster than or equal to 1V/ns
- Input timing reference levels $V_{IH}=V_{IL}=V_{DDQ}/2$
- Output reference levels $V_{IH}=V_{IL}=V_{DDQ}/2$
- Output load Fig.4

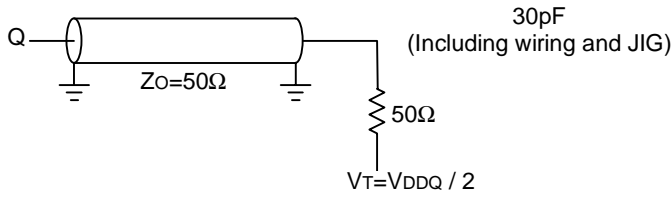
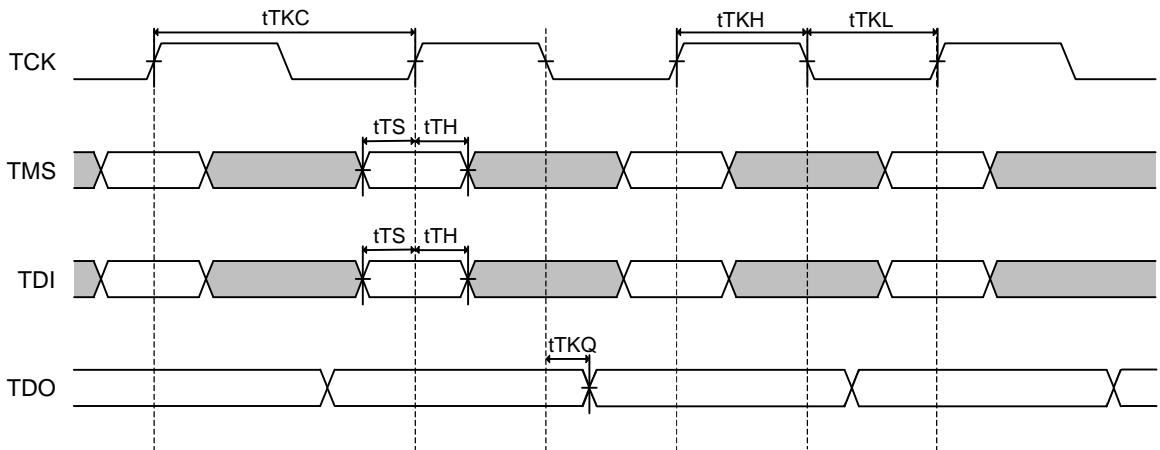


Fig.4 Output load

(2) TIMING CHARACTERISTICS

Symbol	Parameter	Limits		Unit
		Min	Max	
tTF	TCK Frequency		20	MHz
tTKC	TCK Cycle Time	50		ns
tTKH	TCK High Pulse Width	20		ns
tTKL	TCK Low Pulse Width	20		ns
tTS	TDI, TMS setup time	10		ns
tTH	TDI, TMS hold time	10		ns
tTKQ	TCK Low to TDO valid		20	ns

(3) TIMING



JTAG TAP INSTRUCTION SET SUMMARY

Instruction	Code	Description
EXTEST	000	Captures I/O ring contents. Places the Boundary Scan Register between TDI and TDO. Forces all SRAM outputs to High-Z state. This instruction is not 1149.1-compliant.
IDCODE	001	Preloads ID Register and places it between TDI and TDO
SAMPLE-Z	010	Captures I/O ring contents. Places the Boundary Scan Register between TDI and TDO. Forces all Data and Clock output drivers to High-Z
RFU	011	Do not use this instruction; Reserved for Future Use.
SAMPLE/PRELOAD	100	Captures I/O ring contents. Places the Boundary Scan Register between TDI and TDO.
RFU	101	Do not use this instruction; Reserved for Future Use.
RFU	110	Do not use this instruction; Reserved for Future Use.
BYPASS	111	Places the BYPASS Register between TDI and TDO.

STRUCTURE OF IDENTIFICATION REGISTER

Bit No.	Revision				Device Information													JEDEC Vendor Code of MITSUBISHI															
	31	30	29	28	VDD	Capacity			Function				Width				Gen.	11	10	9	8	7	6	5	4	3	2	1	0				
M5M5T5672	0	0	0	0	0	1	0	0	1	0	1	0	0	0	1	1	0	1	0	0	0	0	0	0	0	0	0	1	1	1	0	0	1
	MSB																LSB																

Note38. Bit of Device Information "Gen.(Generation)" means

Bit No.	13	12
1 st Generation	0	0
2 nd Generation	0	1
3 rd Generation	1	0

Note39. Bit of Device Information "Width" means

Bit No.	16	15	14
X16	0	0	0
X18	0	0	1
X32	0	1	0
X36	0	1	1
X64	1	0	0
X72	1	0	1

Note40. Bit of Device Information "Function" means

Bit No.	20	19	18	17
Network SRAM	0	1	0	0
PB	0	0	0	1

Note41. Bit of Device Information "Capacity" means

Bit No.	24	23	22	21
1M or 1.15M	0	0	0	1
2M or 2.3M	0	0	1	0
4M or 4.5M	0	0	1	1
8M or 9M	0	1	0	0
16M or 18M	0	1	0	1
32M or 36M	0	1	1	0

Note42. Bit of Device Information "VDD" means

Bit No.	27	26	25
3.3V	0	0	0
2.5V	0	0	1
1.8V / 2.5V	0	1	0
1.5V	0	1	1

PACKAGE OUTLINE

209(11x19) bump Ball Grid Array(BGA) Pin Pitch 1.0mm

Refer to JEDEC Standard MS-028, Variation BC,
which can be seen at:

<http://www.jedec.org/download/search/MS-028C.pdf>

MITSUBISHI LSIs
M5M5T5672TG – 25,22,20
18874368-BIT(262144-WORD BY 72-BIT) NETWORK SRAM

REVISION HISTORY

Rev.No.	History	Date	
0.0	First revision	September 25, 2002	Preliminary
0.1	DC ELECTRICAL CHARACTERISTICS Changed ILI limit from 10uA to 100uA (Input Leakage Current of ZZ and LBO#) Changed Icc3 and Icc4 limit from 20mA to 30mA (Standby Current)	January 31, 2003	Preliminary

Keep safety first in your circuit designs!

Mitsubishi Electric Corporation puts the maximum effort into making semiconductor products better and more reliable, but there is always the possibility that trouble may occur with them. Trouble with semiconductors may lead to personal injury, fire or property damage. Remember to give due consideration to safety when making your circuit designs, with appropriate measures such as (i) placement of substitutive, auxiliary circuits, (ii) use of non-flammable material or (iii) prevention against any malfunction or mishap.

Notes regarding these materials

These materials are intended as a reference to assist our customers in the selection of the Mitsubishi semiconductor product best suited to the customer's application; they do not convey any license under any intellectual property rights, or any other rights, belonging to Mitsubishi Electric Corporation or a third party.

Mitsubishi Electric Corporation assumes no responsibility for any damage, or infringement of any third-party's rights, originating in the use of any product data, diagrams, charts, programs, algorithms, or circuit application examples contained in these materials.

All information contained in these materials, including product data, diagrams, charts, programs and algorithms represents information on products at the time of publication of these materials, and are subject to change by Mitsubishi Electric Corporation without notice due to product improvements or other reasons. It is therefore recommended that customers contact Mitsubishi Electric Corporation or an authorized Mitsubishi Semiconductor product distributor for the latest product information before purchasing a product listed herein.

The information described here may contain technical inaccuracies or typographical errors. Mitsubishi Electric Corporation assumes no responsibility for any damage, liability, or other loss rising from these inaccuracies or errors.

Please also pay attention to information published by Mitsubishi Electric Corporation by various means, including the Mitsubishi Semiconductor home page (<http://www.mitsubishichips.com>).

When using any or all of the information contained in these materials, including product data, diagrams, charts, programs, and algorithms, please be sure to evaluate all information as a total system before making a final decision on the applicability of the information and products. Mitsubishi Electric Corporation assumes no responsibility for any damage, liability or other loss resulting from the information contained herein.

Mitsubishi Electric Corporation semiconductors are not designed or manufactured for use in a device or system that is used under circumstances in which human life is potentially at stake. Please contact Mitsubishi Electric Corporation or an authorized Mitsubishi Semiconductor product distributor when considering the use of a product contained herein for any specific purposes, such as apparatus or systems for transportation, vehicular, medical, aerospace, nuclear, or undersea repeater use.

The prior written approval of Mitsubishi Electric Corporation is necessary to reprint or reproduce in whole or in part these materials.

If these products or technologies are subject to the Japanese export control restrictions, they must be exported under a license from the Japanese government and cannot be imported into a country other than the approved destination.

Any diversion or reexport contrary to the export control laws and regulations of Japan and/or the country of destination is prohibited.

Please contact Mitsubishi Electric Corporation or an authorized Mitsubishi Semiconductor product distributor for further details on these materials or the products contained therein.