

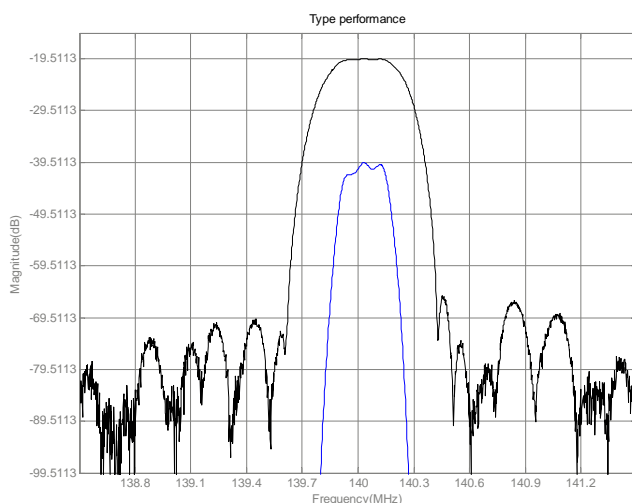


LBS14043 SAW Filter Electrical Characteristic

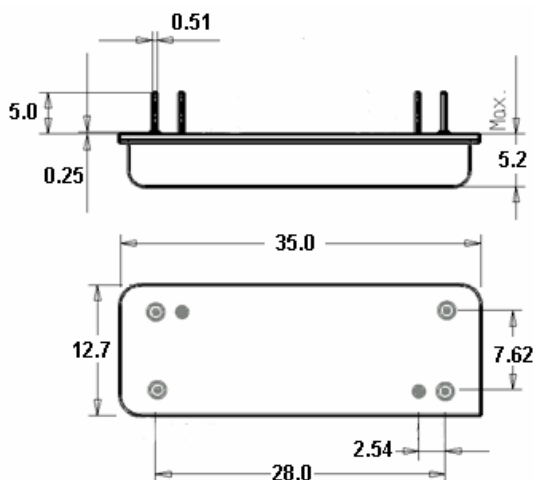
Specifications

Parameter	Unit	Minimum	Typical	Maximum
Center Frequency	MHz	139.97	140	140.03
Insertion Loss	dB	-	21	24.5
1.5 dB Bandwidth	MHz	0.2	0.31	-
40 dB Bandwidth	MHz	-	0.77	0.8
50 dB Bandwidth	MHz	-	0.79	1.2
Ultimate Rejection	dB	50	52	-
Substrate Material		Quartz		
Ambient Temperature	°C	25		
Operation Temperature	°C	-40~85		
Package Size		DIP3512 (35.2x12.7x5.2mm ³)		

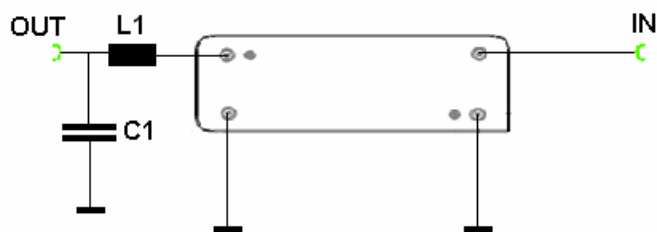
Typical Performance



Package Outline



Matching Configuration



L1 = 33nH C1 = 30pF

Source/Load Impedance = 50 ohm

Notes - Component values may change depending