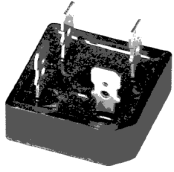
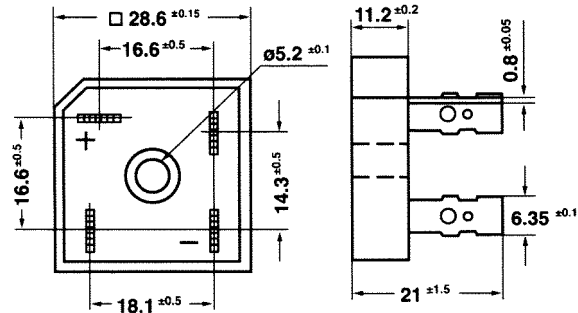


# GBPC15005 thru GBPC1510

## Single Phase Bridge Rectifiers



Dimensions GBPC



	V <sub>RRM</sub> V	V <sub>RMS</sub> V	V <sub>DC</sub> V
GBPC15005	50	35	50
GBPC1501	100	70	100
GBPC1502	200	140	200
GBPC1504	400	280	400
GBPC1506	600	420	600
GBPC1508	800	560	800
GBPC1510	1000	700	1000

Symbol	Characteristics	Maximum Ratings	Unit
I <sub>AV</sub>	Maximum Average Forward Rectified Current @T <sub>c</sub> =70°C (With Heatsink)	15.0	A
I <sub>FSM</sub>	Peak Forward Surge Current 8.3ms Single Half-Sine-Wave Superimposed On Rated Load (JEDEC METHOD)	300	A
V <sub>F</sub>	Maximum Forward Voltage At 7.5A DC	1.1	V
I <sub>R</sub>	Maximum DC Reverse Current At Rated DC Blocking Voltage	@T <sub>J</sub> =25°C 5.0 @T <sub>J</sub> =125°C 500	uA
I <sup>2</sup> t	I <sup>2</sup> t Rating For Fusing (t < 8.3 ms), (Note 2)	508	A <sup>2</sup> S
C <sub>J</sub>	Typical Junction Capacitance Per Element (Note 1)	110	pF
R <sub>θJC</sub>	Typical Thermal Resistance (Note 3)	1.4	°C/W
T <sub>J</sub>	Operating Temperature Range	-55 to +150	°C
T <sub>stg</sub>	Storage Temperature Range	-55 to +150	°C

NOTES: 1. Measured At 1.0MHz And Applied Reverse Voltage Of 4.0V DC.  
2. Measured At Non-repetitive, For Greater Than 1ms And Less Than 8.3ms.  
3. Device Mounted On 300mm x 300mm x 1.6mm Cu Plate Heatsink.

### FEATURES

- \* Rating to 1000V PRV
- \* High efficiency
- \* Glass passivated chip junction
- \* Electrically isolated metal case for maximum heat dissipation

### MECHANICAL DATA

- \* Case: Molded plastic with Heatsink internally mounted in the bridge encapsulation
- \* Polarity: As marked on Body
- \* Mounting: Hole for # 10 screw
- \* Weight: 0.63 ounces, 18.0 grams

# GBPC15005 thru GBPC1510

## Single Phase Bridge Rectifiers

