

To all our customers

Regarding the change of names mentioned in the document, such as Mitsubishi Electric and Mitsubishi XX, to Renesas Technology Corp.

The semiconductor operations of Hitachi and Mitsubishi Electric were transferred to Renesas Technology Corporation on April 1st 2003. These operations include microcomputer, logic, analog and discrete devices, and memory chips other than DRAMs (flash memory, SRAMs etc.) Accordingly, although Mitsubishi Electric, Mitsubishi Electric Corporation, Mitsubishi Semiconductors, and other Mitsubishi brand names are mentioned in the document, these names have in fact all been changed to Renesas Technology Corp. Thank you for your understanding. Except for our corporate trademark, logo and corporate statement, no changes whatsoever have been made to the contents of the document, and these changes do not constitute any alteration to the contents of the document itself.

Note : Mitsubishi Electric will continue the business operations of high frequency & optical devices and power devices.

Renesas Technology Corp.
Customer Support Dept.
April 1, 2003


PRELIMINARY
 Notice: This is not a final specification.
 Some parametric limits are subject to change.

MITSUBISHI Nch POWER MOSFET

FY8BCH-02F

HIGH-SPEED SWITCHING USE

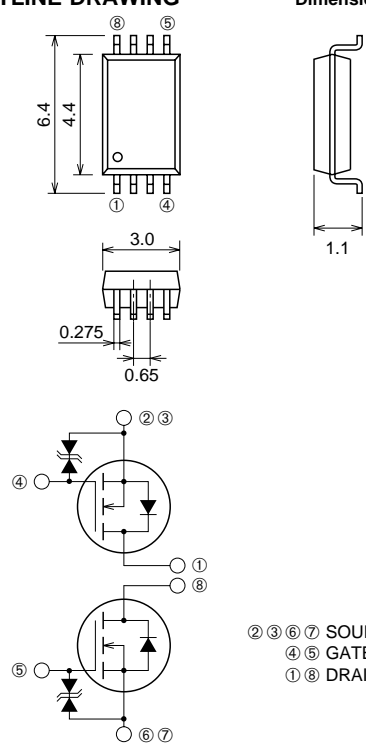
FY8BCH-02F



- 2.5V DRIVE
- V_{DSS} 20V
- $r_{DS(ON)}$ (MAX) 16m Ω
- I_D 8A

OUTLINE DRAWING

Dimensions in mm



② ③ ⑥ ⑦ SOURCE
 ④ ⑤ GATE
 ① ⑧ DRAIN

TSSOP8

APPLICATION

Li - ion battery protection

MAXIMUM RATINGS (Tc = 25°C)

Symbol	Parameter	Conditions	Ratings	Unit
V_{DSS}	Drain-source voltage	$V_{GS} = 0V$	20	V
V_{GSS}	Gate-source voltage	$V_{DS} = 0V$	± 10	V
I_D	Drain current		8	A
I_{DM}	Drain current (Pulsed)		56	A
I_{DA}	Avalanche current (Pulsed)	$L = 10\mu H$	8	A
I_S	Source current		1.5	A
I_{SM}	Source current (Pulsed)		6.0	A
P_D	Maximum power dissipation		1.6	W
T_{ch}	Channel temperature		-55 ~ +150	°C
T_{stg}	Storage temperature		-55 ~ +150	°C
—	Weight	Typical value	0.035	g

Sep. 2000

PRELIMINARY
 Notice: This is not a final specification.
 Some parametric limits are subject to change.

ELECTRICAL CHARACTERISTICS (T_{ch} = 25°C)

Symbol	Parameter	Test conditions	Limits			Unit
			Min.	Typ.	Max.	
V (BR) DSS	Drain-source breakdown voltage	I _D = 1mA, V _{GS} = 0V	20	—	—	V
V (BR) GSS	Gate-source breakdown voltage	I _G = ±100μA, V _{DS} = 0V	±10	—	—	V
I _{GSS}	Gate-source leakage current	V _{GS} = ±10V, V _{DS} = 0V	—	—	±10	μA
I _{DSS}	Drain-source leakage current	V _{DS} = 20V, V _{GS} = 0V	—	—	0.1	mA
V _{GS} (th)	Gate-source threshold voltage	I _D = 1mA, V _{DS} = 10V	0.5	0.9	1.5	V
r _{DS} (ON)	Drain-source on-state resistance	I _D = 8A, V _{GS} = 4V	—	13	16	mΩ
r _{DS} (ON)	Drain-source on-state resistance	I _D = 4A, V _{GS} = 2.5V	—	17	22	mΩ
V _{DS} (ON)	Drain-source on-state voltage	I _D = 8A, V _{GS} = 4V	—	0.104	0.128	V
y _{fs}	Forward transfer admittance	I _D = 8A, V _{DS} = 10V	—	—	—	S
C _{iss}	Input capacitance	V _{DS} = 10V, V _{GS} = 0V, f = 1MHz	—	1800	—	pF
C _{oss}	Output capacitance		—	—	—	pF
C _{rss}	Reverse transfer capacitance		—	—	—	pF
t _d (on)	Turn-on delay time	V _{DD} = 10V, I _D = 4A, V _{GS} = 4V, R _{GEN} = R _{GS} = 50Ω	—	—	—	ns
t _r	Rise time		—	—	—	ns
t _d (off)	Turn-off delay time		—	—	—	ns
t _f	Fall time		—	—	—	ns
V _{SD}	Source-drain voltage	I _S = 1.5A, V _{GS} = 0V	—	0.85	1.1	V
R _{th} (ch-a)	Thermal resistance	Channel to ambient	—	—	78.1	°C/W
t _{rr}	Reverse recovery time	I _S = 1.5A, dis/dt = -50A/μs	—	50	—	ns