

TS-RDM5W/R

USB2.0 Portable Multi-Card Reader

Description

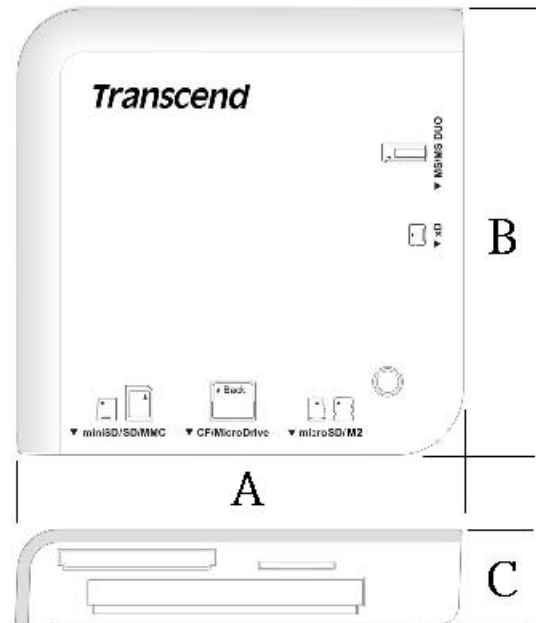
TS-RDM5W/R is a USB2.0 Portable Multi-Card Reader. With 5 slots, it is a small device specifically designed for fast, easy data transfer and exchange using multiple types of Memory Cards.

Features

- Color: White / Red
- Fully Compliant with the Hi-Speed USB 2.0 specification
- Hi-Speed Data transfer rates of up to 480Mb/s
- USB powered (no external power or battery needed)
- LED indicates card insertion and data traffic
- Compatible with the new SDHC standard
- Supports many different types of Memory Cards without the need for an adapter :
 - CompactFlash™ (CF) Type I/II
 - Microdrive™
 - Secure Digital (SD™)
 - SDHC (Secure Digital High Capacity)
 - miniSD™
 - miniSDHC
 - microSDHC
 - microSD™ / TransFlash
 - MultiMediaCard (MMC™)
 - MMCplus™
 - RS-MMC
 - MMCmobile™
 - Memory Stick™ (MS)
 - Memory Stick PRO™
 - Memory Stick Duo™
 - Memory Stick PRO Duo™
 - Memory Stick Micro™ (M2)
 - xD (M-Type, H-Type)

- Supports additional Memory Cards with an adapter
 - MMCmicro™

Placement



Dimensions

Side	Millimeters	Inches
A	70.00 ± 1.0	2.76 ± 0.04
B	70.00 ± 1.0	2.76 ± 0.04
C	15.00 ± 1.0	0.59 ± 0.04

System Requirements

- Desktop or notebook computer with a working USB port
- One of the following Operating Systems:
 - Windows® Me
 - Windows® 2000
 - Windows® XP
 - Windows Vista™
 - Mac™ OS 9.0, or later
 - Linux™ Kernel 2.4.2, or later

TS-RDM5W/R

USB2.0 Portable Multi-Card Reader

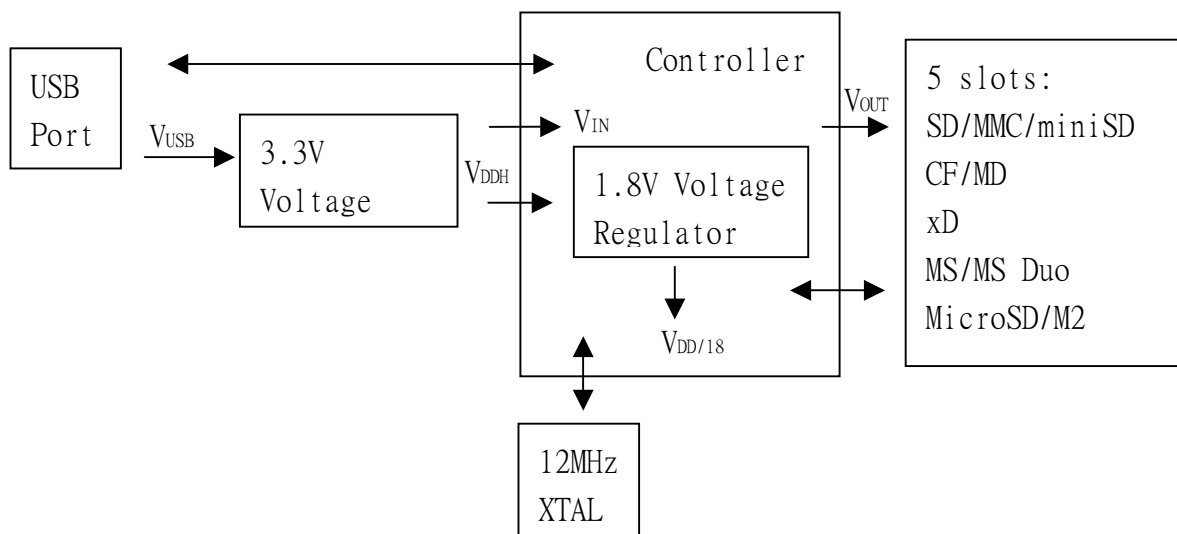
Pinouts

Pin No.	Pin Name
01	V _{USB}
02	USB-
03	USB+
04	NC
05	VSS

Pin Identification

Symbol	Function
USB-	USB differential signal: The pairs are used to transmit Data/Address/Command
USB+	
VSS	Ground
V _{USB}	USB Power Input
NC	Not Connect

Block Diagram



Absolute Maximum Ratings

SYMBOL	PARAMETER	RATING	UNITS
V_{DDH}	Power Supply	-0.3 to $V_{DDH}+0.3$	V
V_{IN}	Input Voltage	-0.3 to 3.6	V
V_{OUT}	Output Voltage	-0.3 to $V_{DDH}+0.3$	V
T_{STG}	Storage	-40 to 150	°C

Recommended Operating Conditions

SYMBOL	PARAMETER	MIN	TYP	MAX	UNITS
V_{DDH}	Power Supply	3.0	3.3	3.6	V
$V_{DD/18}$	Digital Supply	1.62	1.8	1.98	V
V_{IN}	Input Voltage	0	3.3	3.6	V
T_{OPR}	Operating	0		70	°C

DC Characteristics:

SYMBOL	PARAMETER	CONDITIONS	MIN	TYP	MAX	UNITS
I_{IN}	Input current	no pull-up or pull-down	-10	±1	10	μA
I_{OZ}	Tri-state leakage current		-10	±1	10	μA
C_{IN}	Input capacitance	Pad Limit		2.8		ρF
C_{OUT}	Output capacitance	Pad Limit		2.8		ρF
C_{BID}	Bi-directional buffer capacitance	Pad Limit		2.8		ρF

Above technical information is based on industry standard data and tested to be reliable. However, Transcend makes no warranty, either expressed or implied, as to its accuracy and assumes no liability in connection with the use of this product. Transcend reserves the right to make changes in specifications at any time without prior notice.