

7/8" (22.2 mm) Ten-Turn Wirewound Upper Grade Precision Potentiometer



FEATURES

- Bushing mount and servo mount designs are available
- Large ohmic value range: 15 Ω to 100 kΩ
- Dual gang configuration
- Improved linearity available
- Long life > 2 million shaft revolutions

ELECTRICAL SPECIFICATIONS		
PARAMETER	STANDARD	SPECIAL
Total Resistance Tolerance: 100 Ω and above Below 100 Ω	15 Ω to 100 kΩ ± 3 % ± 5 %	15 Ω to 150 kΩ ± 1 % ± 3 %
Linearity (Independent) 15 Ω to 50 Ω 50 Ω to 1 kΩ 1 kΩ to 5 kΩ 5 kΩ and Above	STANDARD ± 0.25 % ± 0.25 % ± 0.25 % ± 0.25 %	BEST PRACTICAL ± 0.15 % ± 0.10 % ± 0.075 % ± 0.05 %
Noise	100 Ω ENR	
Electrical Rotation	3600° + 4° - 0°	
Power Rating: Additional Sections	2.0 W at 70 °C ambient derated to zero at 125 °C 75 % of the rating of section 1 (1.5 W at 70 °C)	
Insulation Resistance	1000 MΩ minimum 500 V _{DC}	
Dielectric Strength	1000 V _{RMS} , 60 Hz	
Absolute Minimum Resistance	Linearity x total resistance or 0.5 Ω whichever is greater	
End Voltage	Linearity x total applied voltage for total resistance above 20 Ω, 2.0 % of applied voltage for 20 Ω and below	
Phasing (CCW End Points)	Additional sections phased to section 1 within ± 2°	
Taps (Extra)	54 available as special, standard tolerance ± 2°	

ORDERING INFORMATION/DESCRIPTION					
The Model 502 can be ordered from this data sheet with a variety of alternate characteristics, as shown above. For most rapid service on your order, please state:					
502	S	2	10K	20K	BO1
MODEL	STYLE	NUMBER OF SECTIONS	TOTAL RESISTANCE OF EACH SECTION		PACKAGING
	B: Bushing S: Servo	1 or 2	Beginning with the section nearest the mounting end		Box of 1 piece
Other characteristics will be standard as described on this data sheet. If special characteristics are required, such as: special linearity tolerance, special resistance tolerance, extra taps, non-linear functions, etc., please state these on your order and allow additional lead time for delivery.					

SAP PART NUMBERING GUIDELINES					
502	S	2	103	203	B01
MODEL	STYLE	NUMBER OF SECTIONS	OHMIC VALUE SECTION N° 1	OHMIC VALUE SECTION N° 2	PACKAGING

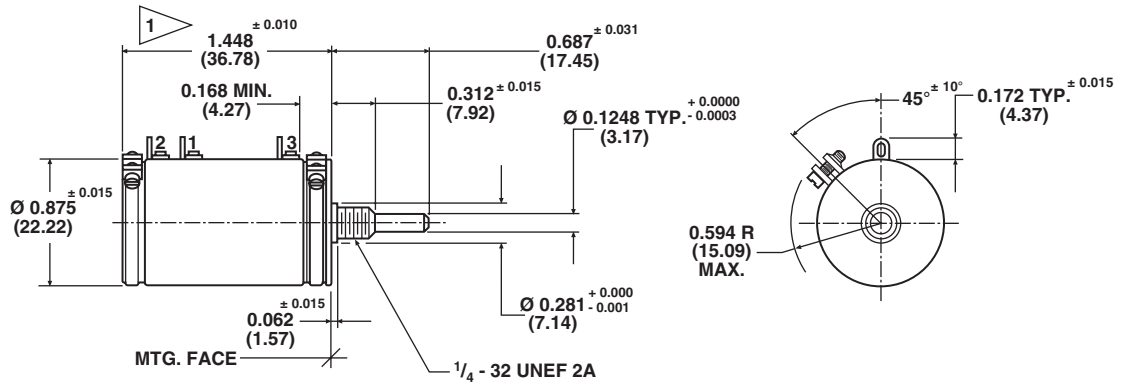


**7/8" (22.2 mm) Ten-Turn Wirewound
Upper Grade Precision Potentiometer**

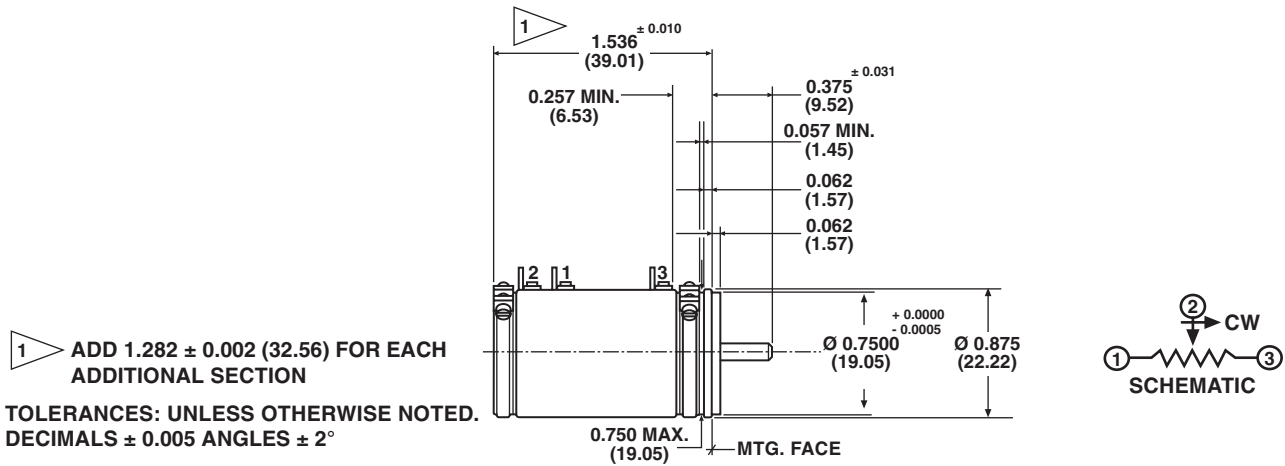
Vishay Spectrol

DIMENSIONS in inches (millimeters)

BUSHING MOUNT

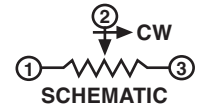


SERVO MOUNT



1 ADD 1.282 ± 0.002 (32.56) FOR EACH ADDITIONAL SECTION

TOLERANCES: UNLESS OTHERWISE NOTED.
DECIMALS ± 0.005 ANGLES ± 2°



MECHANICAL SPECIFICATIONS		
PARAMETER		
Rotation	3600° + 10° - 0°	
Bearing Type	SERVO Ball bearing	BUSHING MOUNT Sleeve bearing
Torque (Maximums)	STARTING	RUNNING
Servo Section 1	0.4 oz. - in (28.8 g - cm)	0.3 oz. - in (21.6 g - cm)
Bushing Section 1	0.5 oz. - in (36.0 g - cm)	0.4 oz. - in (28.8 g - cm)
Each Additional Section	0.3 oz. - in (21.6 g - cm)	0.2 oz. - in (14.4 g - cm)
Mechanical Runout (Maximums):	SERVO	BUSHING
Shaft Runout (TIR)	0.002" (0.05 cm)	0.002" (0.05 cm)
Pilot Dia. Runout (TIR)	0.002" (0.05 cm)	0.002" (0.05 cm)
Lateral Runout (TIR)	0.002" (0.05 cm)	0.005" (0.13 cm)
Shaft End Play	0.005" (0.13 cm)	0.005" (0.13 cm)
Shaft Radial Play	0.002" (0.05 cm)	0.003" (0.08 cm)
Weight:		
Single Section	1.20 oz. (34.0 g)	
Each Additional Section	0.80 oz. (22.7 g)	
Stop Strength	100 oz. - in, static (7.2 kg - cm)	
Ganging	2 sections, terminal alignment, added sections, within ± 10° of section 1 terminals	
Moment of Inertia	0.45 g - cm ² per section maximum	

Model 502



Vishay Spectrol

$\frac{7}{8}$ " (22.2 mm) Ten-Turn Wirewound
Upper Grade Precision Potentiometer

MATERIAL SPECIFICATIONS	
Housing	Phenolic (black) glass filled
Lids	Aluminum, anodized
Shaft	Stainless steel, non-magnetic, non-passivated
Terminals	Brass, plated for solderability
Clamp Ring	Stainless steel
Bushing Mounting Hardware Lockwasher Internal Tooth: Panel Nut:	Steel, nickel plated Brass, nickel plated

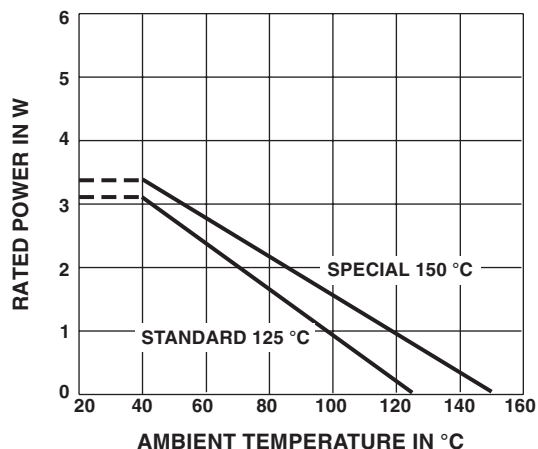
MARKING	
Unit Identification	Units shall be marked with Vishay spectrol name and model no, resistance and resistance tolerance, linearity, terminal identification, and date code

ENVIRONMENTAL SPECIFICATIONS	
Vibration	15 g thru 2000 CPS
Shock	50 g
Salt Spray	96 h
Rotational Life	2 million shaft revolutions
Load Life	900 h
Operating Temperature Range	- 55 °C to + 125 °C

POWER RATING CHART

(Ratings for cup No. 1.

Additional cups 75 % of values shown)



RESISTANCE ELEMENT DATA					
STANDARD RESISTANCE VALUES (Ω)	RESOLUTION (%)	OHMS PER TURN	MAXIMUM CURRENT AT 70 °C AMBIENT (mA)	MAXIMUM VOLTAGE ACROSS COIL (V)	WIRE TEMP. COEF. (ppm/°C)
15	0.088	0.013	365	5.48	800
20	0.066	0.013	316	6.32	800
50	0.050	0.025	200	10.0	800
100	0.050	0.050	141	14.1	180
200	0.049	0.098	100	20.0	20
500	0.037	0.185	63.2	31.6	20
1K	0.034	0.339	44.7	44.7	20
2K	0.029	0.571	31.6	63.2	20
5K	0.023	1.173	20.0	100	20
10K	0.017	1.731	14.1	141	20
20K	0.016	3.142	10.0	200	20
50K	0.011	5.639	6.32	316	20
100K	0.010	10.325	4.47	447	20
150K	0.010	14.170	3.65	548	20



Disclaimer

All product specifications and data are subject to change without notice.

Vishay Intertechnology, Inc., its affiliates, agents, and employees, and all persons acting on its or their behalf (collectively, "Vishay"), disclaim any and all liability for any errors, inaccuracies or incompleteness contained herein or in any other disclosure relating to any product.

Vishay disclaims any and all liability arising out of the use or application of any product described herein or of any information provided herein to the maximum extent permitted by law. The product specifications do not expand or otherwise modify Vishay's terms and conditions of purchase, including but not limited to the warranty expressed therein, which apply to these products.

No license, express or implied, by estoppel or otherwise, to any intellectual property rights is granted by this document or by any conduct of Vishay.

The products shown herein are not designed for use in medical, life-saving, or life-sustaining applications unless otherwise expressly indicated. Customers using or selling Vishay products not expressly indicated for use in such applications do so entirely at their own risk and agree to fully indemnify Vishay for any damages arising or resulting from such use or sale. Please contact authorized Vishay personnel to obtain written terms and conditions regarding products designed for such applications.

Product names and markings noted herein may be trademarks of their respective owners.