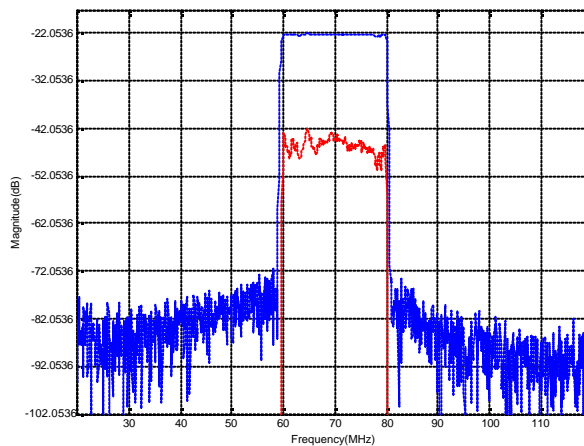




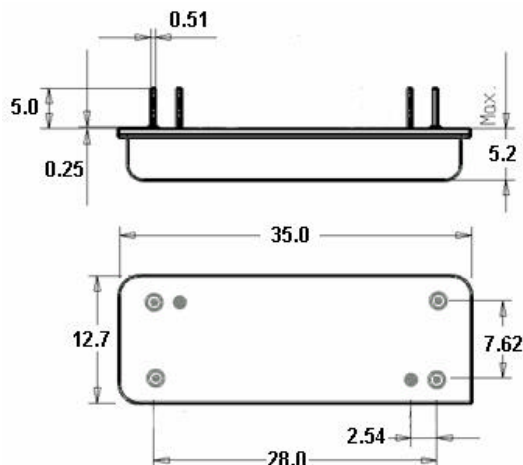
## LBN07064 SAW Filter Electrical Characteristic

| <b>Specifications</b> |      |   |         |         |
|-----------------------|------|---|---------|---------|
| Parameter             | Unit | Minimum                                 | Typical | Maximum |
| Center Frequency      | MHz  | 69.9                                    | 70      | 70.1    |
| Insertion Loss        | dB   |   | 22.0    | 25      |
| 1 dB Bandwidth        | MHz  | 19.8                                    | 20.14   |         |
| 3 dB Bandwidth        | MHz  | 20.4                                    | 20.50   |         |
| 50 dB Bandwidth       | MHz  |   | 22.05   | 22.3    |
| Passband variation    | dB   |   | 0.8     | 1.0     |
| Group Delay Variation | nsec |   | 30      | 100     |
| Absolute Delay        | usec |   | 2.16    |         |
| Ultimate Rejection    | dB   | 50                                      | 55      |         |
| Substrate Material    |      | 128 LiNbO <sub>3</sub>                  |         |         |
| Ambient Temperature   | °C   | 25                                      |         |         |
| Package Size          |      | DIP3512 (35.2x12.7x5.2mm <sup>3</sup> ) |         |         |

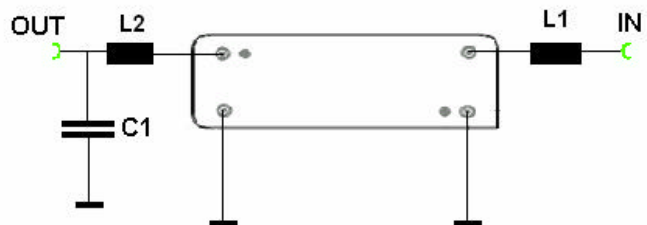
### Typical Performance



### Package Outline



### Matching Configuration



L1=200nH L2=290nH  
C1=30pF

Source/Load Impedance = 50 ohm