

16-Mbit (1M x 16) Pseudo Static RAM

Features

- **Wide voltage range: 1.7V–1.95V**
- **Access Time: 70 ns**
- **Ultra-low active power**
 - Typical active current: 3 mA @ f = 1 MHz
 - Typical active current: 18mA @ f = f_{max}
- **Ultra low standby power**
- **16-word Page Mode**
- **Automatic power-down when deselected**
- **CMOS for optimum speed/power**
- **Offered in a 48-ball BGA Package**
- **Operating Temperature: –40°C to +85°C**

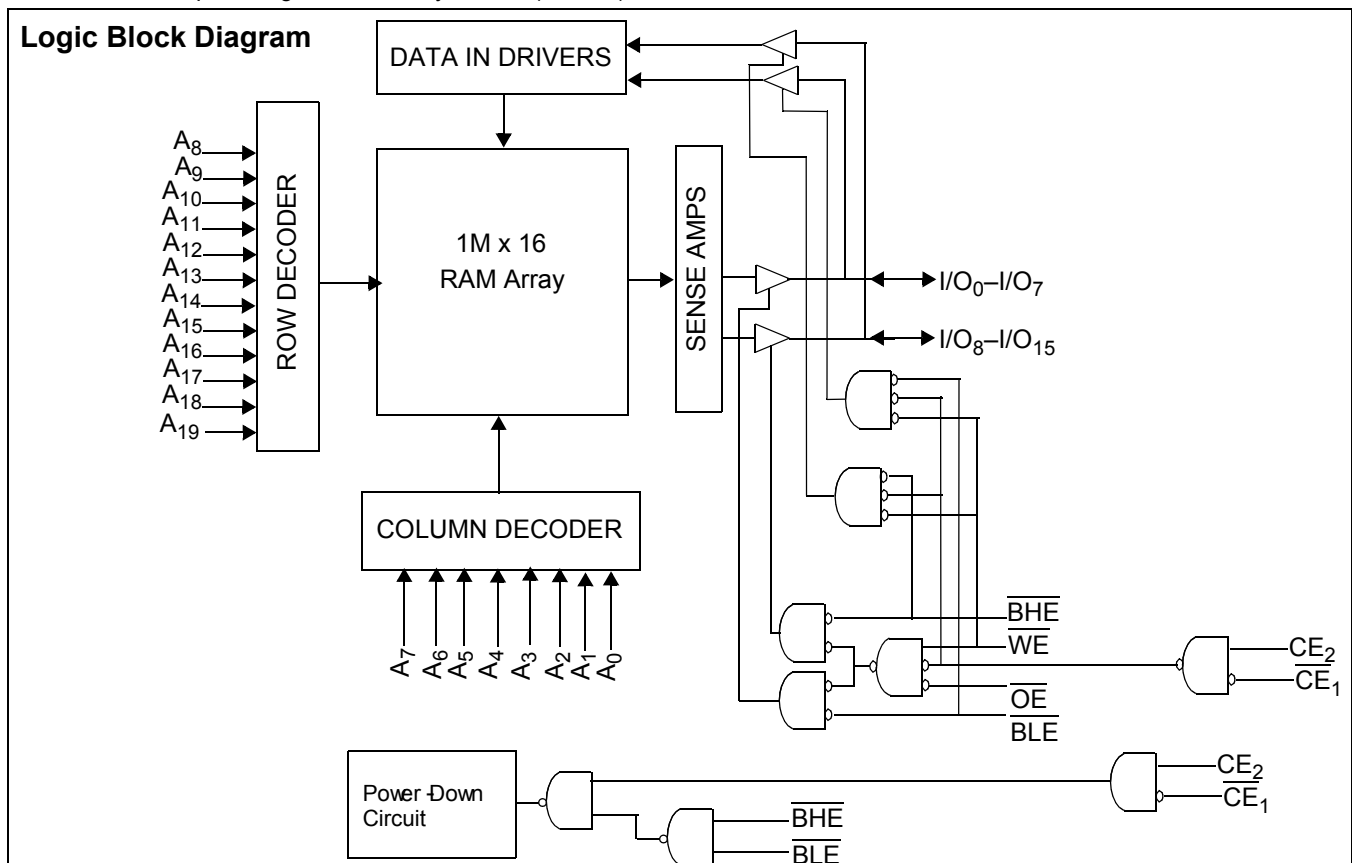
Functional Description^[1]

The CYU01M16SFCU is a high-performance CMOS Pseudo Static RAM organized as 1M words by 16 bits that supports an asynchronous memory interface. This device features advanced circuit design to provide ultra-low active current. This is ideal for providing More Battery Life™ (MoBL®) in

portable applications such as cellular telephones. The device can be put into standby mode when deselected (CE₁ HIGH or CE₂ LOW or both BHE and BLE are HIGH). The input/output pins (I/O₀ through I/O₁₅) are placed in a high-impedance state when: deselected (CE₁ HIGH or CE₂ LOW), outputs are disabled (OE HIGH), both Byte High Enable and Byte Low Enable are disabled (BHE, BLE HIGH), or during a write operation (CE₁ LOW and CE₂ HIGH and WE LOW).

Writing to the device is accomplished by taking Chip Enable (CE₁ LOW and CE₂ HIGH) and Write Enable (WE) input LOW. If Byte Low Enable (BLE) is LOW, then data from I/O pins (I/O₀ through I/O₇), is written into the location specified on the address pins (A₀ through A₁₉). If Byte High Enable (BHE) is LOW, then data from I/O pins (I/O₈ through I/O₁₅) is written into the location specified on the address pins (A₀ through A₁₉).

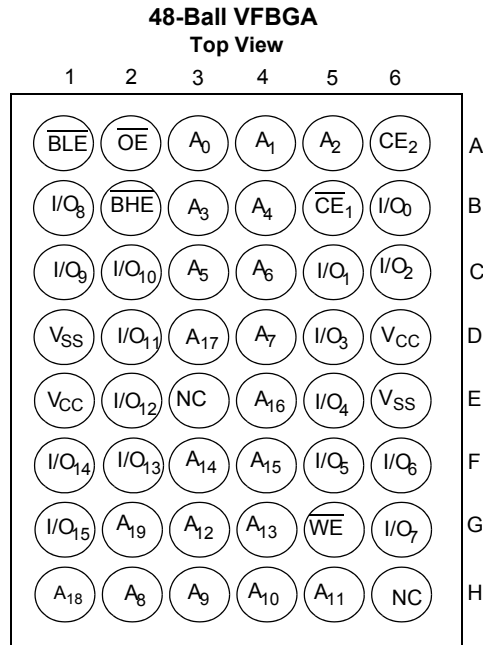
Reading from the device is accomplished by taking Chip Enables (CE₁ LOW and CE₂ HIGH) and Output Enable (OE) LOW while forcing the Write Enable (WE) HIGH. If Byte Low Enable (BLE) is LOW, then data from the memory location specified by the address pins will appear on I/O₀ to I/O₇. If Byte High Enable (BHE) is LOW, then data from memory will appear on I/O₈ to I/O₁₅. Refer to the truth table for a complete description of read and write modes.



Note:

1. For best-practice recommendations, please refer to the Cypress application note "System Design Guidelines" on <http://www.cypress.com>.

Pin Configuration^[2, 3]

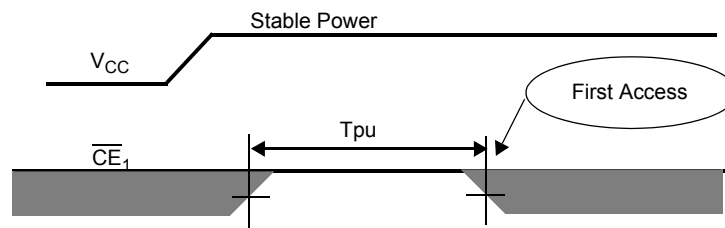


Product Portfolio^[4]

| Product | V _{CC} Range (V) | | | Speed (ns) | Power Dissipation | | | | | |
|--------------|---------------------------|------|---------------------|------------|--------------------------------|------|----------------------|------|-------------------------------|----|
| | | | | | Operating I _{CC} (mA) | | | | Standby I _{SB2} (μA) | |
| | | | | | f = 1MHz | | f = f _{max} | | | |
| Min. | Typ. ^[4] | Max. | Typ. ^[4] | Max. | Typ. ^[4] | Max. | Typ. ^[4] | Max. | | |
| CYU01M16SFCU | 1.7 | 1.8 | 1.95 | 70 | 3 | 5 | 18 | 25 | 55 | 70 |

Power-up Characteristics

The initialization sequence is shown in the figure below. Chip Select should be \overline{CE}_1 HIGH or CE_2 LOW for at least 200 μs after V_{CC} has reached a stable value. No access must be attempted during this period of 200 μs.



| Parameter | Description | Min. | Typ. | Max. | Unit |
|-----------------|--|------|------|------|------|
| T _{pu} | Chip Enable Low After Stable V _{CC} | 200 | | | μs |

Notes:

2. Ball H6 and E3 can be used to upgrade to a 32-Mbit and a 64-Mbit density, respectively.
3. NC "no connect" - not connected internally to the die.
4. Typical values are included for reference only and are not guaranteed or tested. Typical values are measured at V_{CC} = V_{CC} (typ) and T_A = 25°C. Tested initially and after design changes that may affect the parameters.

Page Mode

This device can be operated in a page read mode. This is accomplished by initiating a normal read of the device.

In order to operate the device in page mode, the upper order address bits should be fixed for four-word page access operation, all address bits except for A1 and A0 should be fixed until the page access is completed. For an eight-word page access, all address bits, except for A2, A1, and A0,

should be fixed. For a sixteen-word page mode all address bits, except for A3, A2, A1, and A0, should be fixed.

The supported page lengths are four, eight, and sixteen words. Random page read is supported for all three four, eight, and sixteen-word page read options. Therefore, any address can be used as the starting address.

Please refer to the table below for an overview of the page read modes.

| Page Mode Feature | 4-Word Mode | 8-Word Mode | 16-Word Mode |
|-----------------------------------|--------------------|--------------------|---------------------|
| Page Length | 4 words | 8 words | 16 words |
| Page Read Corresponding Addresses | A1, A0 | A2, A1, A0 | A3, A2, A1, A0 |
| Page Read Start Address | Don't Care | Don't Care | Don't Care |
| Page Direction | Don't Care | Don't Care | Don't Care |



PRELIMINARY

**CYU01M16SFCU
MoBL3™**

Maximum Ratings

(Above which the useful life may be impaired. For user guidelines, not tested.)

- Storage Temperature -65°C to +150°C
- Ambient Temperature with Power Applied..... -55°C to +125°C
- Supply Voltage to Ground Potential. -0.2V to V_{CCMAX} + 0.3V
- DC Voltage Applied to Outputs in High Z State^[5, 6, 7]..... -0.2V to V_{CCMAX} + 0.3V

- DC Input Voltage^[5, 6, 7]..... -0.2V to V_{CCMAX} + 0.3V
- Output Current into Outputs (LOW)..... 20 mA
- Static Discharge Voltage..... > 2001V (per MIL-STD-883, Method 3015)
- Latch-Up Current..... > 200 mA

| Device | Range | Operating Temperature (T _A) | V _{CC} |
|--------------|------------|---|-----------------|
| CYU01M16SFCU | Industrial | -40°C to +85°C | 1.7V to 1.95V |

DC Electrical Characteristics (Over the Operating Range) ^[5, 6, 7]

| Parameter | Description | Test Conditions | CYU01M16SFCU-70 ns | | | Unit |
|------------------|---|---|-----------------------|---------------------|------------------------|------|
| | | | Min. | Typ. ^[4] | Max. | |
| V _{CC} | Supply Voltage | | 1.7 | 1.8 | 1.95 | V |
| V _{OH} | Output HIGH Voltage | I _{OH} = -0.1 mA V _{CC} = 1.7V to 1.95V | V _{CC} - 0.2 | | | V |
| V _{OL} | Output LOW Voltage | I _{OL} = 0.1 mA V _{CC} = 1.7V to 1.95V | | | 0.2 | V |
| V _{IH} | Input HIGH Voltage | V _{CC} = 1.7V to 1.95V | 0.8 * V _{CC} | | V _{CC} + 0.3V | V |
| V _{IL} | Input LOW Voltage | V _{CC} = 1.7V to 1.95V | -0.2 | | 0.2 * V _{CC} | V |
| I _{IX} | Input Leakage Current | GND ≤ V _{IN} ≤ V _{CC} | -1 | | +1 | μA |
| I _{OZ} | Output Leakage Current | GND ≤ V _{OUT} ≤ V _{CC} | -1 | | +1 | μA |
| I _{CC} | V _{CC} Operating Supply Current | f = f _{MAX} = 1/t _{RC} V _{CC} = V _{CCmax} I _{OUT} = 0 mA CMOS levels | | 18 | 25 | mA |
| | | f = 1MHz | | 3 | 5 | mA |
| I _{SB1} | Automatic CE Power-Down Current — CMOS Inputs | CE ₁ ≥ V _{CC} - 0.2V, CE ₂ ≤ 0.2V, V _{IN} > V _{CC} - 0.2V, V _{IN} < 0.2V f = f _{MAX} (Address and Data Only), f = 0 (OE, WE, BHE and BLE), V _{CC} = 3.60V | | 55 | 70 | μA |
| I _{SB2} | Automatic CE Power-Down Current — CMOS Inputs | CE ₁ ≥ V _{CC} - 0.2V, CE ₂ ≤ 0.2V V _{IN} ≥ V _{CC} - 0.2V or V _{IN} ≤ 0.2V, f = 0, V _{CC} = V _{CCMAX} | | 55 | 70 | μA |

Capacitance^[8]

| Parameter | Description | Test Conditions | Max. | Unit |
|------------------|--------------------|---|------|------|
| C _{IN} | Input Capacitance | T _A = 25°C, f = 1 MHz, V _{CC} = V _{CC(typ)} | 8 | pF |
| C _{OUT} | Output Capacitance | | 8 | pF |

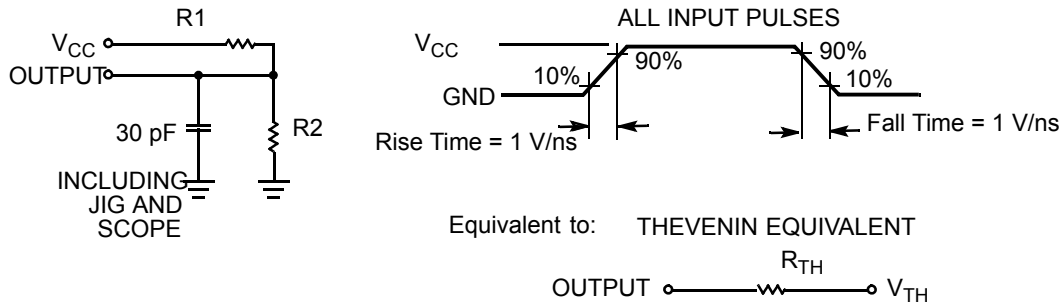
Thermal Resistance^[8]

| Parameter | Description | Test Conditions | VFBGA | Unit |
|-----------------|--|--|-------|------|
| Θ _{JA} | Thermal Resistance (Junction to Ambient) | Test conditions follow standard test methods and procedures for measuring thermal impedance, per EIA / JESD51. | 56 | °C/W |
| Θ _{JC} | Thermal Resistance (Junction to Case) | | 11 | °C/W |

Notes:

- 5. V_{IL(MIN)} = -0.5V for pulse durations less than 20 ns.
- 6. V_{IH(Max)} = V_{CC} + 0.5V for pulse durations less than 20 ns.
- 7. Overshoot and undershoot specifications are characterized and are not 100% tested.
- 8. Tested initially and after any design or process changes that may affect these parameters.

AC Test Loads and Waveforms



| Parameters | 1.8V (V _{CC}) | Unit |
|-----------------|-------------------------|------|
| R1 | 14000 | Ω |
| R2 | 14000 | Ω |
| R _{TH} | 7000 | Ω |
| V _{TH} | 0.90 | V |

Switching Characteristics Over the Operating Range^[9, 10, 11, 15, 14]

| Parameter | Description | 70 ns | | Unit |
|---------------------------------|---|-------|-------|------|
| | | Min. | Max. | |
| Read Cycle | | | | |
| t _{RC} ^[13] | Read Cycle Time | 70 | 40000 | ns |
| t _{CD} | Chip Deselect Time $\overline{CE}_1 = \text{HIGH}$ or $CE_2 = \text{LOW}$, $\overline{BLE}/\overline{BHE}$ High Pulse Time | 15 | | ns |
| t _{AA} | Address to Data Valid | | 70 | ns |
| t _{OHA} | Data Hold from Address Change | 5 | | ns |
| t _{ACE} | \overline{CE}_1 LOW and CE_2 HIGH to Data Valid | | 70 | ns |
| t _{DOE} | \overline{OE} LOW to Data Valid | | 35 | ns |
| t _{LZOE} | \overline{OE} LOW to Low Z ^[10, 11, 12] | 5 | | ns |
| t _{HZOE} | \overline{OE} HIGH to High Z ^[10, 11, 12] | | 25 | ns |
| t _{LZCE} | \overline{CE}_1 LOW and CE_2 HIGH to Low Z ^[10, 11, 12] | 10 | | ns |
| t _{HZCE} | \overline{CE}_1 HIGH and CE_2 LOW to High Z ^[10, 11, 12] | | 25 | ns |
| t _{DBE} | $\overline{BLE}/\overline{BHE}$ LOW to Data Valid | | 70 | ns |
| t _{LZBE} | $\overline{BLE}/\overline{BHE}$ LOW to Low Z ^[10, 11, 12] | 5 | | ns |
| t _{HZBE} | $\overline{BLE}/\overline{BHE}$ HIGH to High Z ^[10, 11, 12] | | 25 | ns |

Notes:

- Test conditions for all parameters other than tri-state parameters assume signal transition time of 1 ns/V, timing reference levels of $V_{CC(typ.)}/2$, input pulse levels of 0V to V_{CC} , and output loading of the specified I_{OL}/I_{OH} as shown in the "AC Test Loads and Waveforms" section.
- At any given temperature and voltage conditions t_{HZCE} is less than t_{LZCE} , t_{HZBE} is less than t_{LZBE} , t_{HZOE} is less than t_{LZOE} , and t_{HZWE} is less than t_{LZWE} for any given device. All low-Z parameters will be measured with a load capacitance of 30 pF (3V).
- t_{HZOE} , t_{HZCE} , t_{HZBE} , and t_{HZWE} transitions are measured when the outputs enter a high-impedance state.
- High-Z and Low-Z parameters are characterized and are not 100% tested.
- If invalid address signals shorter than min.t_{RC} are continuously repeated for 40 μs, the device needs a normal read timing (t_{RC}) or needs to enter standby state at least once in every 40 μs.
- In order to achieve 70-ns performance, the read access must be Chip Enable (\overline{CE}_1 or CE_2) controlled. That is, the addresses must be stable prior to Chip Enable going active.

Switching Characteristics Over the Operating Range^[9, 10, 11, 15, 14] (continued)

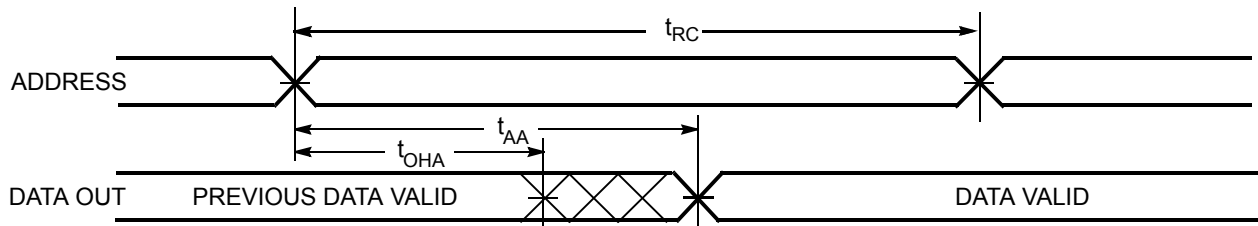
| Parameter | Description | 70 ns | | Unit |
|-----------------------------------|--|-------|-------|------|
| | | Min. | Max. | |
| Page Read Cycle | | | | |
| t _{PC} | Page Mode Read Cycle Time | 35 | 40000 | ns |
| t _{PA} | Page Mode Address Access | | 35 | ns |
| Write Cycle^[15] | | | | |
| t _{WC} | Write Cycle Time | 70 | 40000 | ns |
| t _{SCE} | \overline{CE}_1 LOW and CE ₂ HIGH to Write End | 60 | | ns |
| t _{AW} | Address Set-Up to Write End | 60 | | ns |
| t _{CD} | Chip Deselect Time $\overline{CE}_1 = \text{HIGH}$ or CE ₂ = LOW, BLE/BHE High Pulse Time | 15 | | ns |
| t _{HA} | Address Hold from Write End | 0 | | ns |
| t _{SA} | Address Set-Up to Write Start | 0 | | ns |
| t _{PWE} | \overline{WE} Pulse Width | 50 | | ns |
| t _{BW} | $\overline{BLE/BHE}$ LOW to Write End | 60 | | ns |
| t _{SD} | Data Set-Up to Write End | 25 | | ns |
| t _{HD} | Data Hold from Write End | 0 | | ns |
| t _{HZWE} | \overline{WE} LOW to High-Z ^[10, 11, 12] | | 25 | ns |
| t _{LZWE} | \overline{WE} HIGH to Low-Z ^[10, 11, 12] | 10 | | ns |

Note:

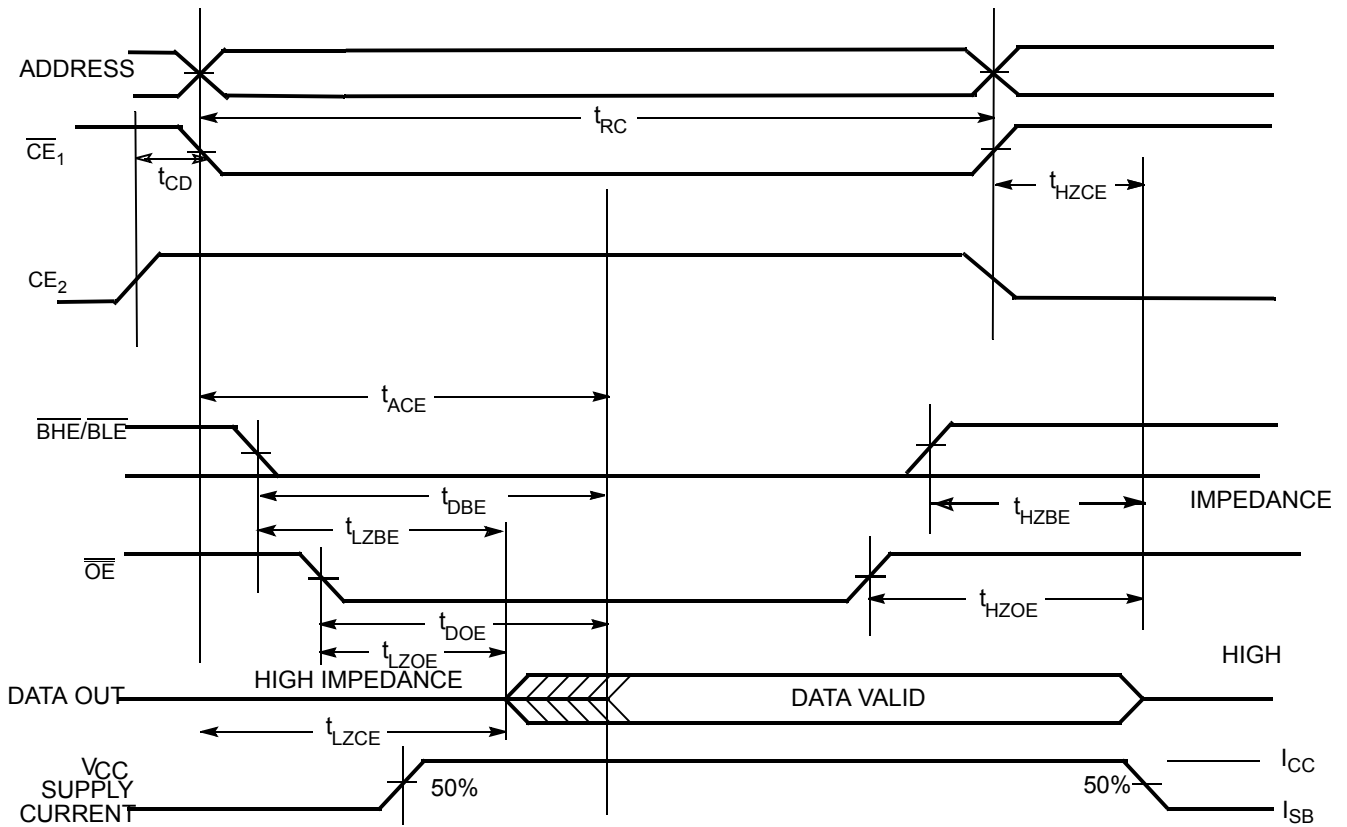
15. The internal Write time of the memory is defined by the overlap of $\overline{WE}, \overline{CE}_1 = V_{IL}$ or CE₂ = V_{IH}, \overline{BHE} and/or $\overline{BLE} = V_{IL}$. All signals must be ACTIVE to initiate a write and any of these signals can terminate a write by going INACTIVE. The data input set-up and hold timing should be referenced to the edge of the signal that terminates the write.

Switching Waveforms

Read Cycle 1 (Address Transition Controlled)^[17, 18]



Read Cycle 2 ($\overline{\text{OE}}$ Controlled)^[16, 18, 19]

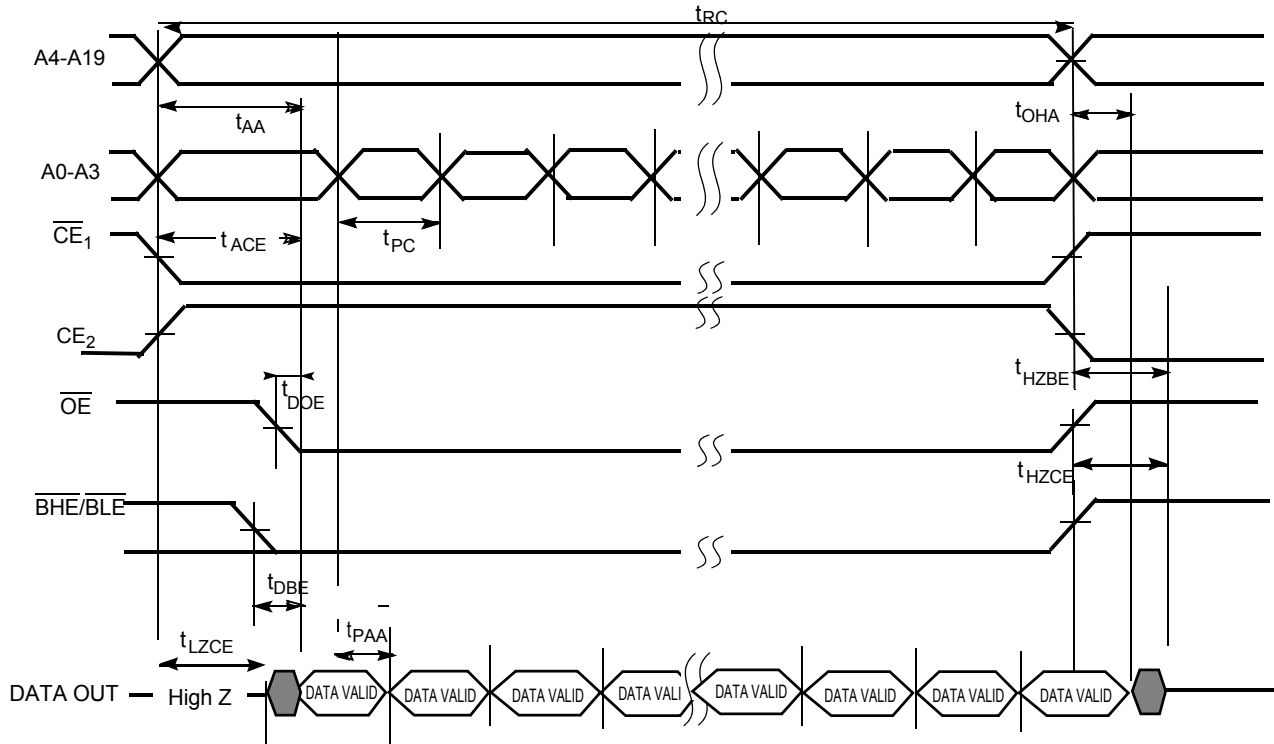


Notes:

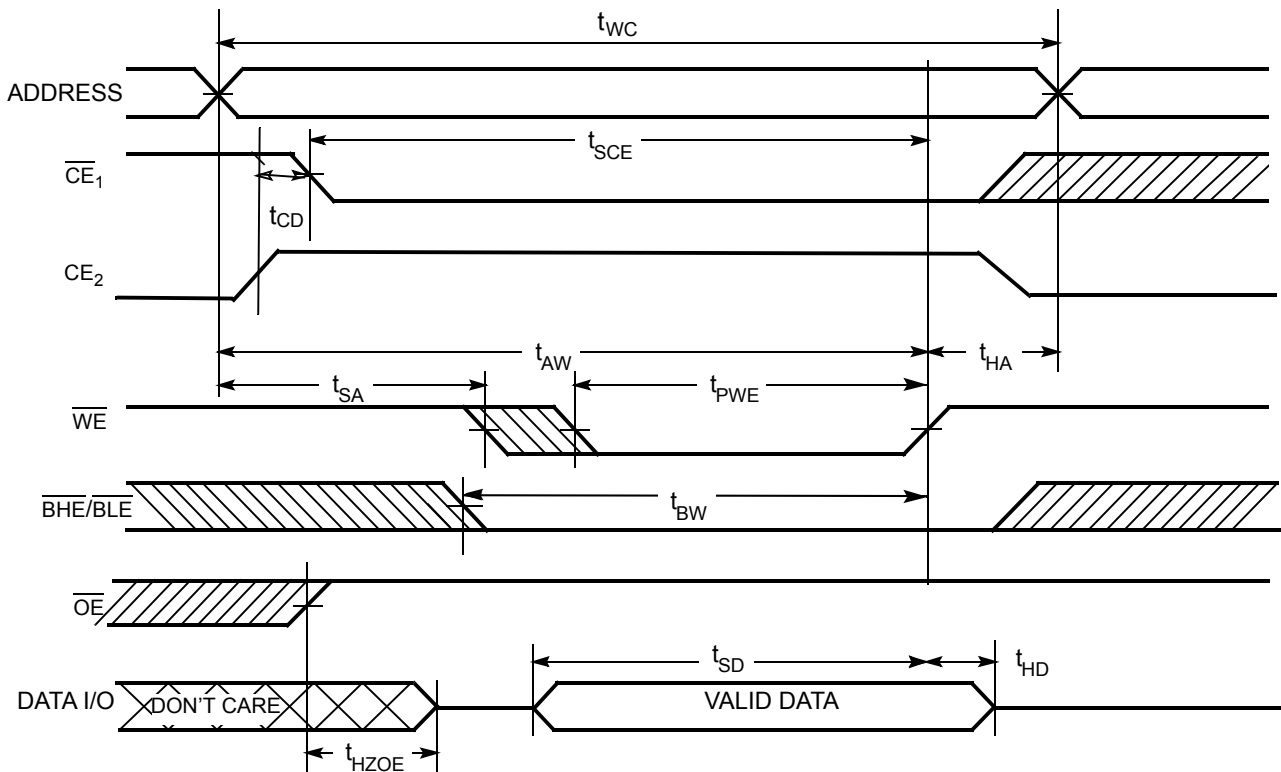
- 16. Whenever $\overline{\text{CE}}_1 = \text{HIGH}$ or $\text{CE}_2 = \text{LOW}$, $\overline{\text{BHE}} / \overline{\text{BLE}}$ are taken inactive, they must remain inactive for a minimum of 5 ns.
- 17. Device is continuously selected. $\overline{\text{OE}} = \overline{\text{CE}}_1 = V_{\text{IL}}$ and $\text{CE}_2 = V_{\text{IH}}$.
- 18. $\overline{\text{WE}}$ is HIGH for Read Cycle.
- 19. CE is the Logical AND of $\overline{\text{CE}}_1$ and CE_2 .

Switching Waveforms (continued)

Page Read Cycle ($\overline{WE} = V_{IH}$, 16 word access)^[13, 18, 19]



Write Cycle 1 (\overline{WE} Controlled)^[15, 12, 16, 19, 20, 21]



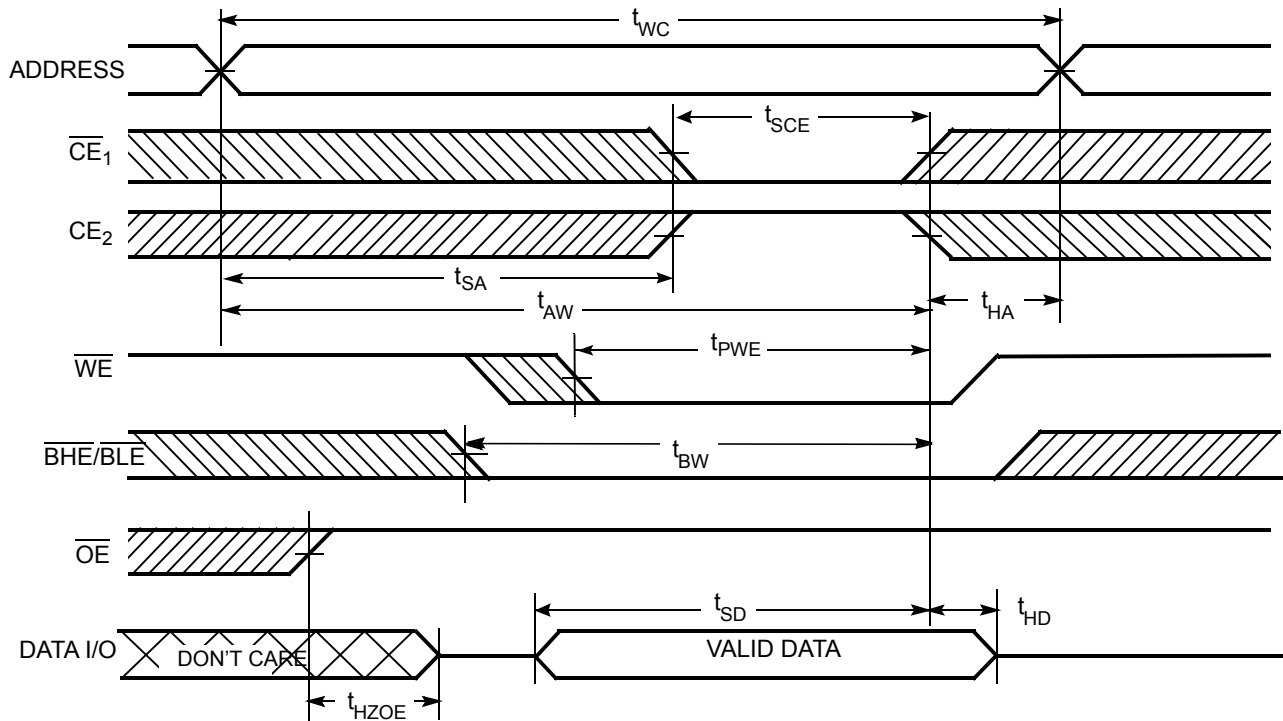
Notes:

20. Data I/O is high-impedance if $\overline{OE} \geq V_{IH}$.

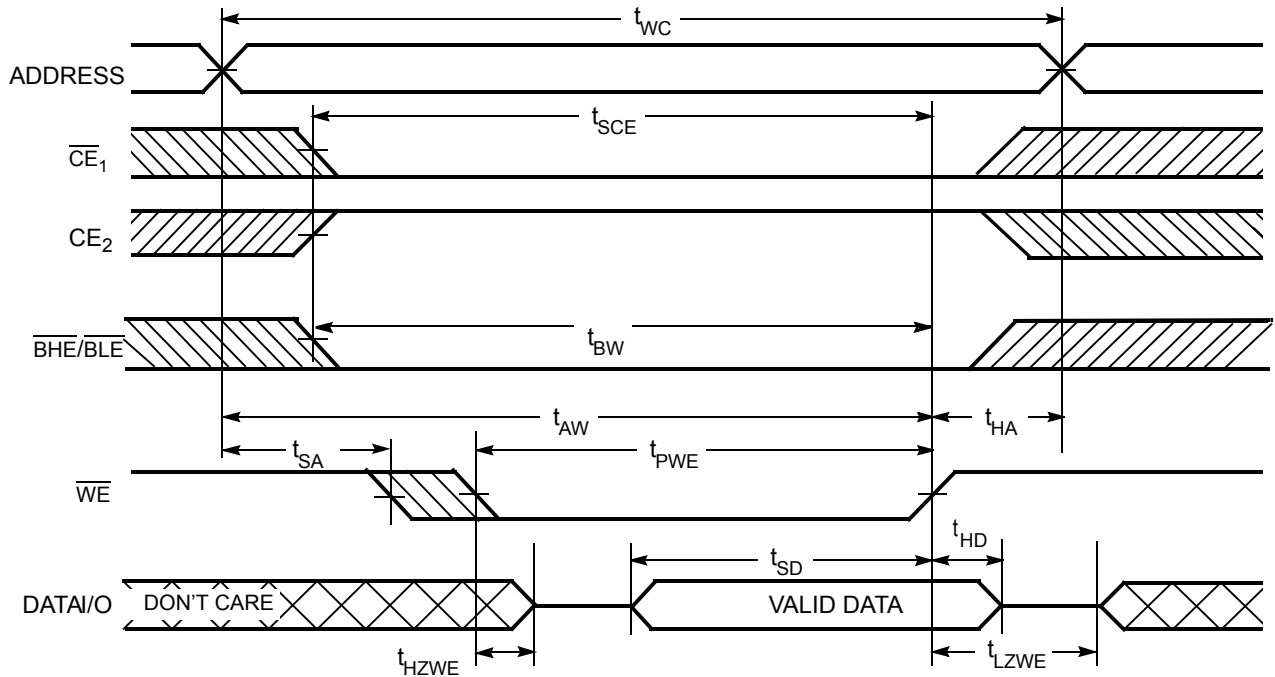
21. During the DON'T CARE period in the DATA I/O waveform, the I/Os are in output state and input signals should not be applied.

Switching Waveforms (continued)

Write Cycle 2 (\overline{CE}_1 or \overline{CE}_2 Controlled)^[15, 12, 16, 20, 21]

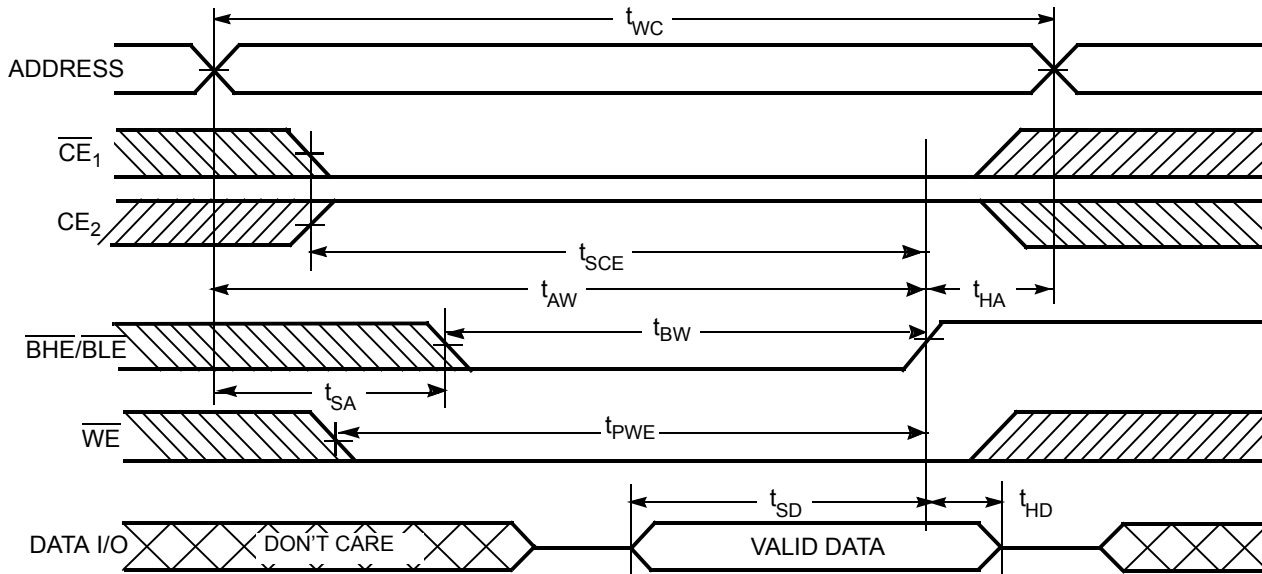


Write Cycle 3 (\overline{WE} Controlled, \overline{OE} LOW)^[16, 21]



Switching Waveforms (continued)

Write Cycle 4 (BHE/BLE Controlled, OE LOW)^[15, 16, 20, 21]



Truth Table^[22]

| \overline{CE}_1 | \overline{CE}_2 | \overline{WE} | \overline{OE} | \overline{BHE} | \overline{BLE} | Inputs/Outputs | Mode | Power |
|-------------------|-------------------|-----------------|-----------------|------------------|------------------|--|-----------------------------------|----------------------|
| H | X | X | X | X | X | High Z | Deselect/Power-down | Standby (I_{SB}) |
| X | L | X | X | X | X | High Z | Deselect/Power-down | Standby (I_{SB}) |
| X | X | X | X | H | H | High Z | Deselect/Power-down | Standby (I_{SB}) |
| L | H | H | L | L | L | Data Out (I/O ₀ –I/O ₁₅) | Read | Active (I_{CC}) |
| L | H | H | L | H | L | Data Out (I/O ₀ –I/O ₇); I/O ₈ –I/O ₁₅ in High Z | Read | Active (I_{CC}) |
| L | H | H | L | L | H | Data Out (I/O ₈ –I/O ₁₅); I/O ₀ –I/O ₇ in High Z | Read | Active (I_{CC}) |
| L | H | H | H | L | L | High Z | Output Disabled | Active (I_{CC}) |
| L | H | H | H | H | L | High Z | Output Disabled | Active (I_{CC}) |
| L | H | H | H | L | H | High Z | Output Disabled | Active (I_{CC}) |
| L | H | L | X | L | L | Data In (I/O ₀ –I/O ₁₅) | Write (Upper Byte and Lower Byte) | Active (I_{CC}) |
| L | H | L | X | H | L | Data In (I/O ₀ –I/O ₇); I/O ₈ –I/O ₁₅ in High Z | Write (Lower Byte Only) | Active (I_{CC}) |
| L | H | L | X | L | H | Data In (I/O ₈ –I/O ₁₅); I/O ₀ –I/O ₇ in High Z | Write (Upper Byte Only) | Active (I_{CC}) |

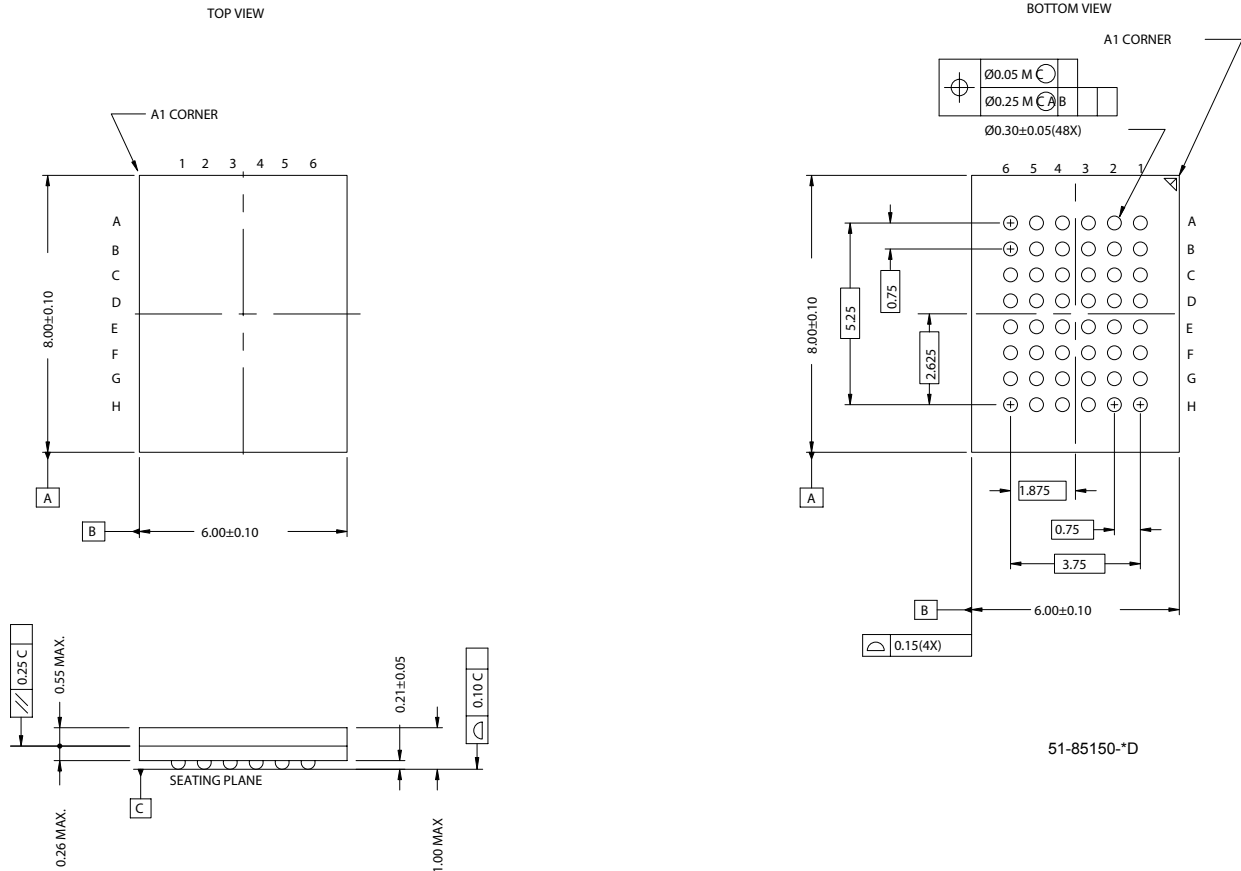
Note:
22. H = Logic HIGH, L = Logic LOW, X = Don't Care.

Ordering Information

| Speed (ns) | Ordering Code | Package Name | Package Type | Operating Range |
|------------|---------------------|--------------|--|-----------------|
| 70 | CYU01M16SFCU-70BVXI | BV48 | 48-ball Fine Pitch VBGA (6 mm × 8 mm × 1 mm) (Pb-Free) | Industrial |

Package Diagram

48-ball VFBGA (6 x 8 x 1 mm) BV48



MoBL is a registered trademark and MoBL3 and More Battery Life are trademarks of Cypress Semiconductor Corporation. All product and company names mentioned in this document may be the trademarks of their respective holders.

Document History Page

| Document Title: CYU01M16SFCU MoBL3™ 16-Mbit (1M x 16) Pseudo Static RAM | | | | |
|---|---------|------------|-----------------|---|
| Document Number: 38-05603 | | | | |
| REV. | ECN NO. | Issue Date | Orig. of Change | Description of Change |
| ** | 342199 | See ECN | PCI | New Datasheet |
| *A | 386551 | See ECN | PCI | Changed from Advance to Preliminary Replaced TBDs with appropriate values Changed t_{PC} and t_{PA} from 20 to 25 ns Corrected footnote # 16 as $\overline{OE} = \overline{CE}_1 = V_{IL}$ and $CE_2 = V_{IH}$ Added separate waveforms for \overline{CE}_1 and CE_2 in Read #2, Page Read and Write#1 Timing diagram |
| *B | 422623 | See ECN | HRT | Removed the 55-ns Speed Bin Changed Isb2 Max value from 60 μ A to 70 μ A Added Isb1 to the DC parameters Added Chip Enable Access Foot Note to AC Parameters Changed the t_{CD} Min value from 5 ns to 15 ns Changed the Page Mode Values (t_{PC} and t_{PAA}) from 25 ns to 35 ns |